



**Mallory Sonalert Products, Inc.**

Part #:

**ZT028LDIC3R**

# Sales Outline Drawing

Revision:

**D**

## Specifications:

### INDIVIDUAL CONTROL OF LIGHT AND SOUND

Function	LIGHT	SOUND
Sound Level Category	N/A	Loud
Mode of Operation	Continuous	Slow Pulse @ 1 PPS
Lens Color	Opaque White	N/A
LED Color	RED	N/A
Rated Voltage	24 VDC	24 VDC
Voltage Range	20 to 28 VDC	20 to 28 VDC
Power Connection	L+ to +Vdc & L- to -Vdc	S+ to +Vdc & S- to -Vdc
Current Draw	25mA MAX	25mA MAX
Frequency	N/A	3900 ± 500 Hz
Loudness @ 2 FT	N/A	85 to 95 dB(A) Typ.
Housing Material	6/6 Nylon, Color: Black	
Front Cap Material	6/6 Nylon, Color: Opaque White	
Storage Temperature	-40° to +80° C	
Operating Temperature	-30° to +65° C	
Panel Mounting	Recommended hole size is 22.5 mm. Thread front will fit standard 22.5mm hole.	
Knurled Nut	Used to attach part to panel. The max recommended torque is 10 in-lbs.	
Weight (Typical)	28 g	
NEMA 3R,4X, & 12	Approved with use of included gasket.	
Options	Please contact factory.	

## Dimensions: Inches (mm)

## cUL Recognized

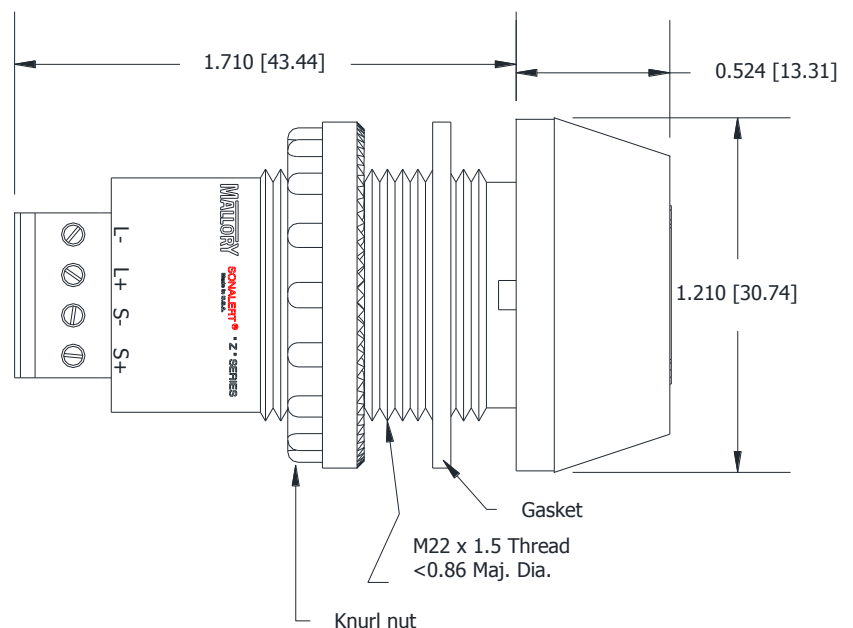
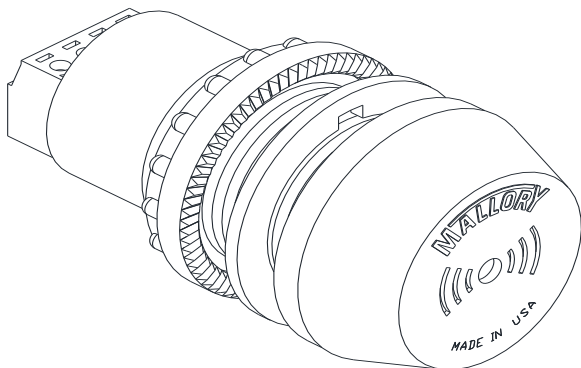
## ROHS Compliant

PATENT NUMBER

9165440

9576442

L- and S- are internally connected and only one must be connected.



## X-ON Electronics

Largest Supplier of Electrical and Electronic Components

*Click to view similar products for [Piezo Buzzers & Audio Indicators](#) category:*

*Click to view products by [Mallory Sonalert](#) manufacturer:*

Other Similar products are found below :

[6-4](#) [68S1240-PA](#) [MBA-624](#) [FDG06PSLLF](#) [FDG111PLF](#) [F/NRMB 24 BLACK LF](#) [PF-35N29WQ](#) [PFD-21A29W](#) [PFD-27A35PQ](#) [PL-21N30WQ](#) [PL-27A35PSQ](#) [PLD-21N30W](#) [PLD-21N30WQ](#) [PS-531Q](#) [PT-3534FP](#) [EBPT-401](#) [B822B](#) [B/CP28/100DB/BLACK LF](#) [PB-1220PEQ](#) [S6109](#) [SBM616PR](#) [SC110E](#) [SC2036ACP](#) [SC616N-2](#) [SC628FW](#) [SC628MPG](#) [SC648D](#) [SCS045MD9DT3S](#) [FCM12PLF](#) [F/EB20P-DR LF](#) [F/SMD03A LF](#) [FSMD8585JSLF](#) [F/SU 21-02 LF](#) [F/TCW 12 WITH LABEL LF](#) [F/UCW 06 WITH LABEL LF](#) [PFD-27N36W](#) [PKM22EPPH40S1-B0](#) [PKM35-4A0](#) [PL-35N29WQ](#) [PS-552Q](#) [CM-5](#) [REF-202](#) [B/SE 128 RED LF](#) [KBS-20DA-7AS](#) [KBS-27DA-5C-105](#) [LSC628ANR](#) [03-810.001](#) [RTO-1R07-001](#) [PL-21N31PQ](#) [B/CP 28B BLACK LF](#)