



**Mallory Sonalert Products, Inc.**

Part #: **ZT120LACTB**

**Sales Outline Drawing**

Revision: **E**

**Specifications:**

|                       |   |
|-----------------------|---|
| Sound Level Category  | Loud  |
| Mode of Operation     | Continuous  |
| Lens Color            | Opaque White  |
| LED Color             | BLUE  |
| LED Mode of Operation | Continuous  |
| Voltage Rating        | 90 to 120 VAC   |
| Frequency             | 3900 ± 500 Hz   |
| Loudness @ 2 FT       | 85 to 95 dB(A) Typ.   |
| Current Draw          | 40mA MAX  |
| Housing Material      | 6/6 Nylon, Color: Black   |
| Front Cap Material    | 6/6 Nylon, Color: Opaque White  |
| Storage Temperature   | -40° to +80° C  |
| Operating Temperature | -30° to +65° C  |
| Panel Mounting        | Recommended hole size is 22.5 mm. Thread front will fit standard 22.5mm hole. |
| Knurled Nut           | Used to attach part to panel. The max recommended torque is 10 in-lbs.        |
| Weight (Typical)      | 28 g  |
| NEMA 3R, 4X, & 12     | Approved with use of included gasket.   |
| Options               | Please contact factory.   |

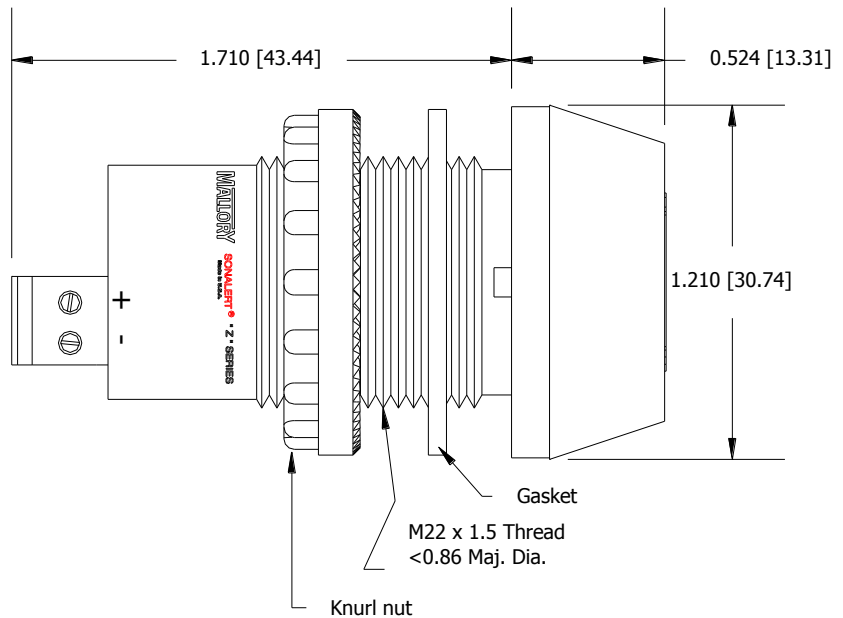
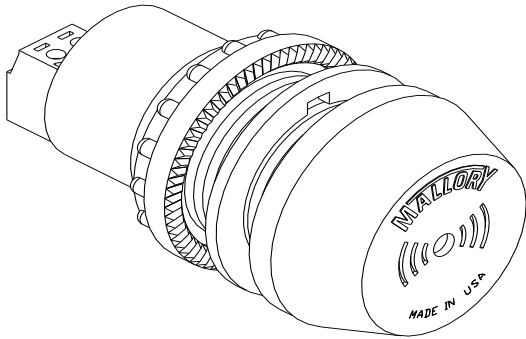
**Dimensions:** Inches (mm)

**cUL Recognized**

**ROHS Compliant**

PATENT NUMBER

9165440



## X-ON Electronics

Largest Supplier of Electrical and Electronic Components

*Click to view similar products for [Piezo Buzzers & Audio Indicators](#) category:*

*Click to view products by [Mallory Sonalert](#) manufacturer:*

Other Similar products are found below :

[6-4](#) [68S1240-PA](#) [MBA-624](#) [FDG06PSLLF](#) [FDG111PLF](#) [F/NRMB 24 BLACK LF](#) [PF-35N29WQ](#) [PFD-21A29W](#) [PFD-27A35PQ](#) [PL-21N30WQ](#) [PL-27A35PSQ](#) [PLD-21N30W](#) [PLD-21N30WQ](#) [PS-531Q](#) [PT-3534FP](#) [EBPT-401](#) [B822B](#) [B/CP28/100DB/BLACK LF](#) [PB-1220PEQ](#) [S6109](#) [SBM616PR](#) [SC110E](#) [SC2036ACP](#) [SC616N-2](#) [SC628FW](#) [SC628MPG](#) [SC648D](#) [SCS045MD9DT3S](#) [FCM12PLF](#) [F/EB20P-DR LF](#) [F/SMD03A LF](#) [FSMD8585JSLF](#) [F/SU 21-02 LF](#) [F/TCW 12 WITH LABEL LF](#) [F/UCW 06 WITH LABEL LF](#) [PFD-27N36W](#) [PKM22EPPH40S1-B0](#) [PKM35-4A0](#) [PL-35N29WQ](#) [PS-552Q](#) [CM-5](#) [REF-202](#) [B/SE 128 RED LF](#) [KBS-20DA-7AS](#) [KBS-27DA-5C-105](#) [LSC628ANR](#) [03-810.001](#) [RTO-1R07-001](#) [PL-21N31PQ](#) [B/CP 28B BLACK LF](#)