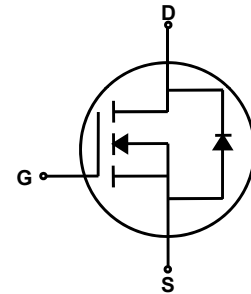
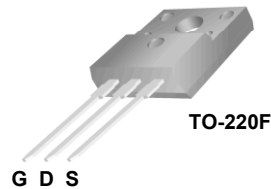
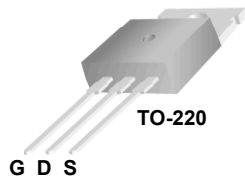


### General Description

This Power MOSFET is produced using Maple semi's Advanced Super-Junction technology. This advanced technology has been especially tailored to minimize conduction loss, provide superior switching performance, and withstand high energy pulse in the avalanche and commutation mode. These devices are well suited for AC/DC power conversion in switching mode operation for higher efficiency.

### Features

- 7A, 700V,  $R_{DS(on)typ} = 0.52\Omega @ V_{GS} = 10V$
- Low gate charge ( typical 18nC)
- High ruggedness
- Fast switching
- 100% avalanche tested
- Improved dv/dt capability



### Absolute Maximum Ratings

$T_C = 25^\circ\text{C}$  unless otherwise noted

| Symbol         | Parameter   | SLP70R600S2 | SLF70R600S2 | Units               |
|----------------|---|-------------|-------------|---------------------|
| $V_{DSS}$      | Drain-Source Voltage  | 700         |             | V                   |
| $I_D$          | Drain Current - Continuous ( $T_C = 25^\circ\text{C}$ )<br>- Continuous ( $T_C = 100^\circ\text{C}$ ) | 7           |             | A                   |
|                |   | 4.4         |             | A                   |
| $I_{DM}$       | Drain Current - Pulsed (Note 1)   | 28          |             | A                   |
| $V_{GSS}$      | Gate-Source Voltage   | $\pm 30$    |             | V                   |
| EAS            | Single Pulsed Avalanche Energy (Note 2)   | 400         |             | mJ                  |
| $I_{AR}$       | Avalanche Current (Note 1)  | 11          |             | A                   |
| dv/dt          | Peak Diode Recovery dv/dt (Note 3)  | 15          |             | V/ns                |
| $P_D$          | Power Dissipation ( $T_C = 25^\circ\text{C}$ )<br>- Derate above $25^\circ\text{C}$                   | 125         | 35          | W                   |
|                |   | 1.0         | 0.28        | W/ $^\circ\text{C}$ |
| $T_J, T_{STG}$ | Operating and Storage Temperature Range   | -55 to +150 |             | $^\circ\text{C}$    |
| $T_L$          | Maximum lead temperature for soldering purposes,<br>1/8" from case for 5 seconds                      | 300         |             | $^\circ\text{C}$    |

\* Drain current limited by maximum junction temperature.

### Thermal Characteristics

| Symbol          | Parameter                               | SLP70R600S2 | SLF70R600S2 | Units                     |
|-----------------|---|-------------|-------------|---------------------------|
| $R_{\theta JC}$ | Thermal Resistance, Junction-to-Case    | 1.0         | 3.57        | $^\circ\text{C}/\text{W}$ |
| $R_{\theta JS}$ | Thermal Resistance, Case-to-Sink Typ.   | --          | --          | $^\circ\text{C}/\text{W}$ |
| $R_{\theta JA}$ | Thermal Resistance, Junction-to-Ambient | 62.5        | 62.5        | $^\circ\text{C}/\text{W}$ |

**Electrical Characteristics** $T_C = 25^\circ\text{C}$  unless otherwise noted

| Symbol                         | Parameter                                 | Test Conditions   | Min | Typ | Max  | Units                     |
|--------------------------------|---|---|-----|-----|------|---------------------------|
| <b>Off Characteristics</b>     |   |   |     |     |      |                           |
| $BV_{DSS}$                     | Drain-Source Breakdown Voltage            | $V_{GS} = 0\text{ V}, I_D = 250\text{ }\mu\text{A}$               | 700 | --  | --   | V                         |
| $\Delta BV_{DSS} / \Delta T_J$ | Breakdown Voltage Temperature Coefficient | $I_D = 250\text{ }\mu\text{A}$ , Referenced to $25^\circ\text{C}$ | --  | 0.6 | --   | $\text{V}/^\circ\text{C}$ |
| $I_{DSS}$                      | Zero Gate Voltage Drain Current           | $V_{DS} = 700\text{ V}, V_{GS} = 0\text{ V}$                      | --  | --  | 1    | $\mu\text{A}$             |
|                                |   | $V_{DS} = 560\text{ V}, T_C = 125^\circ\text{C}$                  | --  | --  | 10   | $\mu\text{A}$             |
| $I_{GSSF}$                     | Gate-Body Leakage Current, Forward        | $V_{GS} = 30\text{ V}, V_{DS} = 0\text{ V}$                       | --  | --  | 100  | nA                        |
| $I_{GSSR}$                     | Gate-Body Leakage Current, Reverse        | $V_{GS} = -30\text{ V}, V_{DS} = 0\text{ V}$                      | --  | --  | -100 | nA                        |

**On Characteristics**

|              |                                   |   |     |      |     |          |
|--------------|-----------------------------------|---|-----|------|-----|----------|
| $V_{GS(th)}$ | Gate Threshold Voltage            | $V_{DS} = V_{GS}, I_D = 250\text{ }\mu\text{A}$ | 2.0 | --   | 4.0 | V        |
| $R_{DS(on)}$ | Static Drain-Source On-Resistance | $V_{GS} = 10\text{ V}, I_D = 3.5\text{ A}$      | --  | 0.52 | 0.6 | $\Omega$ |
| $R_g$        | Gate resistance                   | F=1MHZ  | --  | 4.9  | --  | $\Omega$ |

**Dynamic Characteristics**

|           |                              |   |    |     |    |    |
|-----------|------------------------------|---|----|-----|----|----|
| $C_{iss}$ | Input Capacitance            | $V_{DS} = 100\text{ V}, V_{GS} = 0\text{ V},$<br>$f = 1.0\text{ MHz}$ | -- | 494 | -- | pF |
| $C_{oss}$ | Output Capacitance           |   | -- | 27  | -- | pF |
| $C_{rss}$ | Reverse Transfer Capacitance |   | -- | 1.7 | -- | pF |

**Switching Characteristics**

|              |                     |   |   |     |    |    |
|--------------|---------------------|---|---|-----|----|----|
| $t_{d(on)}$  | Turn-On Delay Time  | $V_{DD} = 350\text{ V}, I_D = 7.0\text{ A},$<br>$R_G = 24\text{ }\Omega$<br><br>(Note 4, 5) | --  | 10  | -- | ns |
| $t_r$        | Turn-On Rise Time   |   | --  | 28  | -- | ns |
| $t_{d(off)}$ | Turn-Off Delay Time |   | --  | 53  | -- | ns |
| $t_f$        | Turn-Off Fall Time  |   | --  | 26  | -- | ns |
| $Q_g$        | Total Gate Charge   |   | $V_{DS} = 560\text{ V}, I_D = 7.0\text{ A},$<br>$V_{GS} = 10\text{ V}$<br><br>(Note 4, 5) | --  | 18 | -- |
| $Q_{gs}$     | Gate-Source Charge  | --  |   | 3.9 | -- | nC |
| $Q_{gd}$     | Gate-Drain Charge   | --  |   | 9.3 | -- | nC |

**Drain-Source Diode Characteristics and Maximum Ratings**

|          |   |   |    |     |     |               |
|----------|---|---|----|-----|-----|---------------|
| $I_S$    | Maximum Continuous Drain-Source Diode Forward Current | --  | -- | 7.0 | A   |               |
| $I_{SM}$ | Maximum Pulsed Drain-Source Diode Forward Current     | --  | -- | 28  | A   |               |
| $V_{SD}$ | Drain-Source Diode Forward Voltage                    | $V_{GS} = 0\text{ V}, I_S = 7.0\text{ A}$       | -- | --  | 1.4 | V             |
| $t_{rr}$ | Reverse Recovery Time                                 | $V_{GS} = 0\text{ V}, I_S = 7.0\text{ A},$      | -- | 317 | --  | ns            |
| $Q_{rr}$ | Reverse Recovery Charge                               | $di_F / dt = 100\text{ A}/\mu\text{s}$ (Note 4) | -- | 2.8 | --  | $\mu\text{C}$ |

**Notes:**

1. Repetitive Rating : Pulse width limited by maximum junction temperature
2.  $L = 79\text{ mH}, I_{AS} = 3.2\text{ A}, V_{DD} = 100\text{ V}, R_G = 25\text{ }\Omega$ , Starting  $T_J = 25^\circ\text{C}$
3.  $I_{SD} \leq 7.0\text{ A}, di/dt \leq 100\text{ A}/\mu\text{s}, V_{DD} \leq BV_{DSS}$ , Starting  $T_J = 25^\circ\text{C}$
4. Pulse Test : Pulse width  $\leq 300\text{ }\mu\text{s}$ , Duty cycle  $\leq 2\%$
5. Essentially independent of operating temperature

### Typical Characteristics

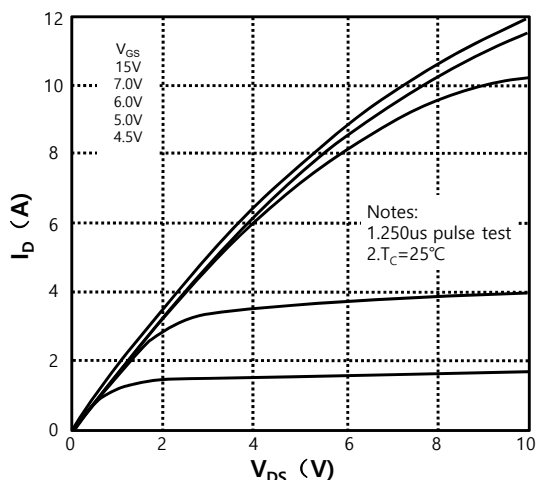


Figure 1. On-Region Characteristics

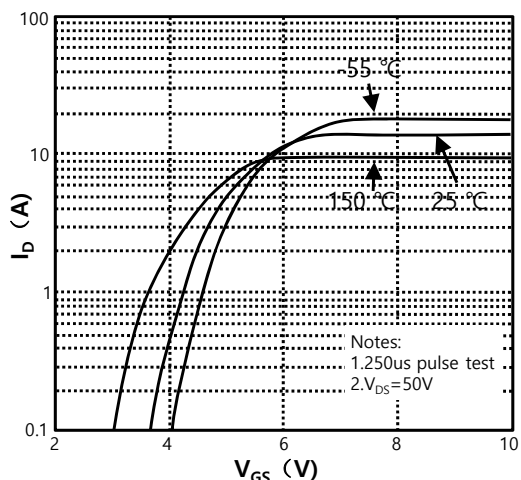


Figure 2. Transfer Characteristics

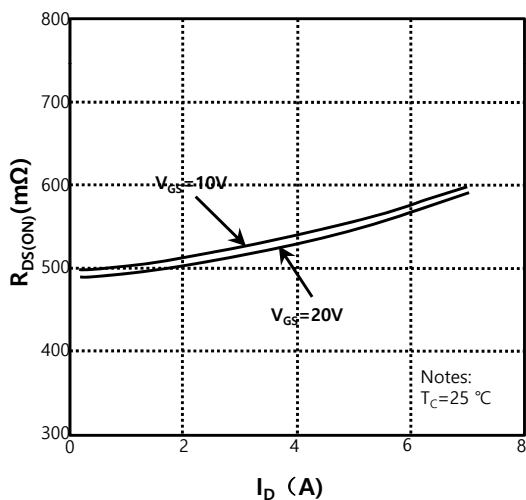


Figure 3. On-Resistance Variation vs Drain Current and Gate Voltage

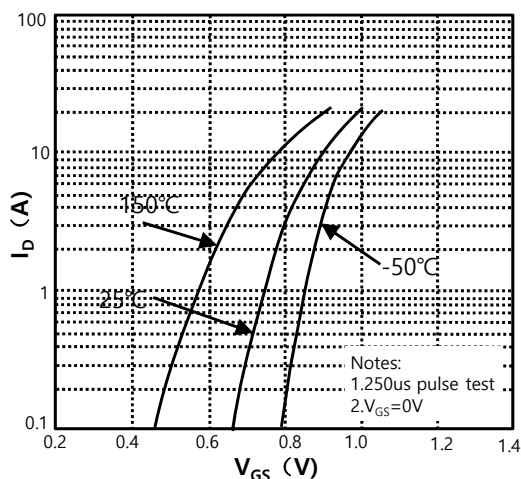


Figure 4. Body Diode Forward Voltage Variation with Source Current and Temperature

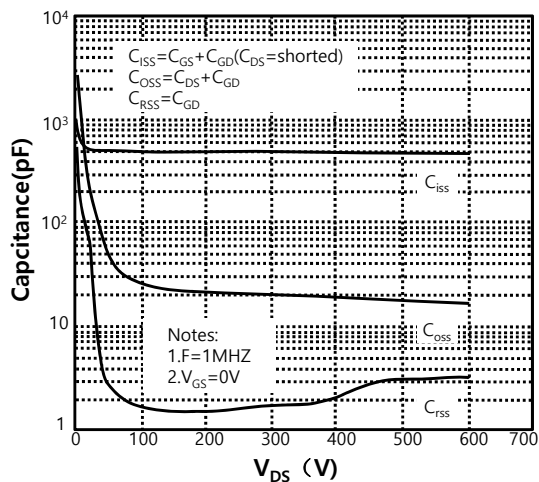


Figure 5. Capacitance Characteristics

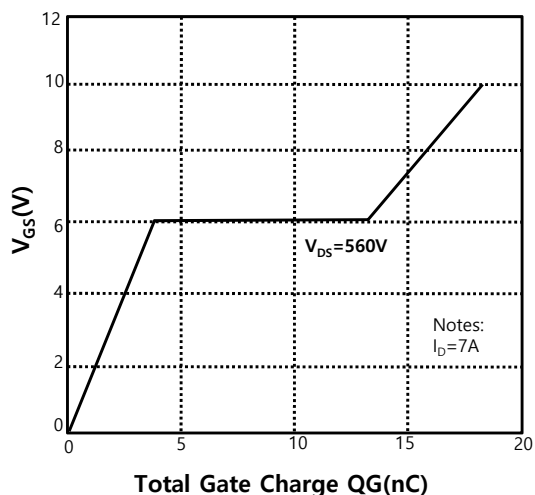
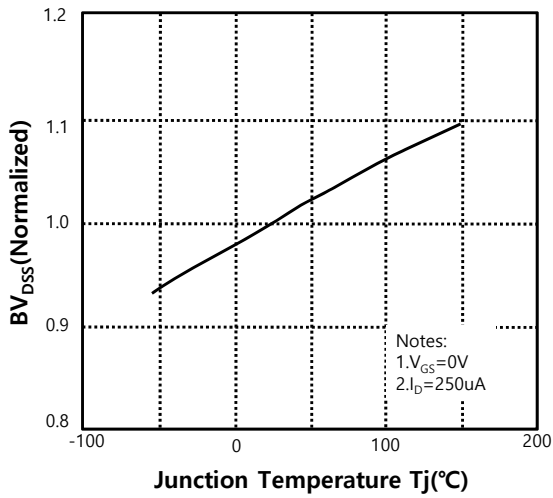
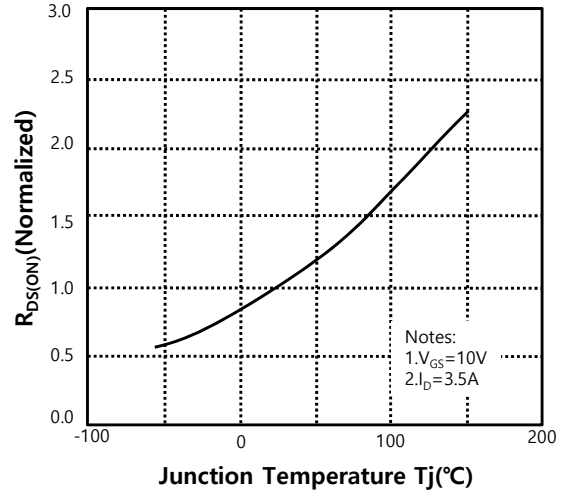


Figure 6. Gate Charge Characteristics

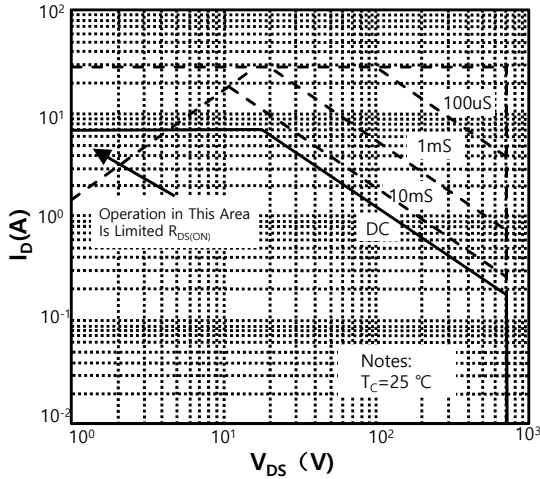
**Typical Characteristics** (Continued)



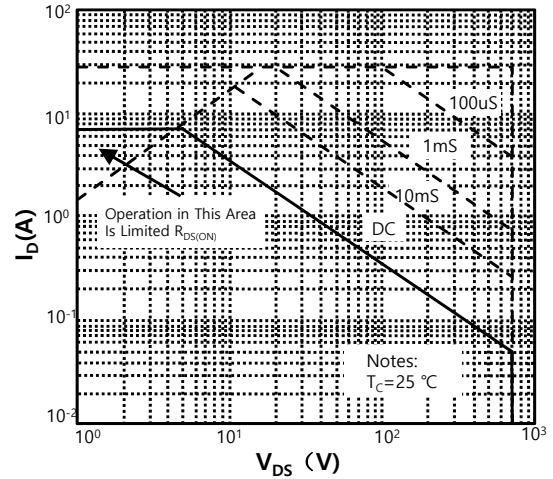
**Figure 7. Breakdown Voltage Variation vs Temperature**



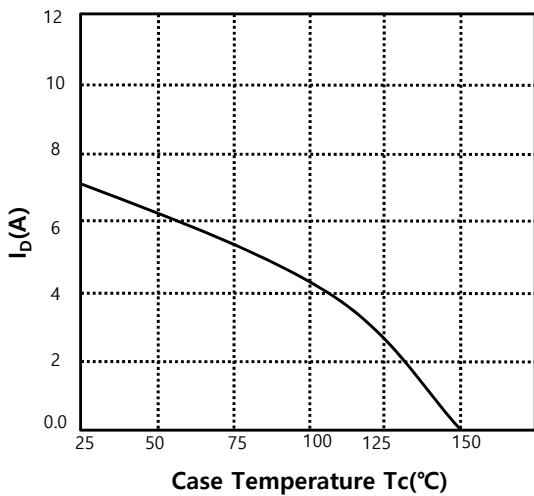
**Figure 8. On-Resistance Variation vs Temperature**



**Figure 9-1. Maximum Safe Operating Area SLP70R600S2**

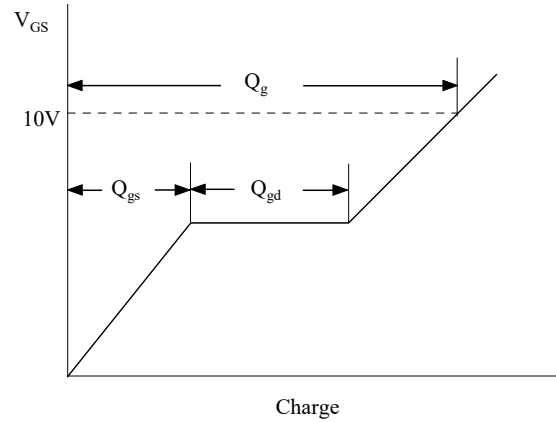
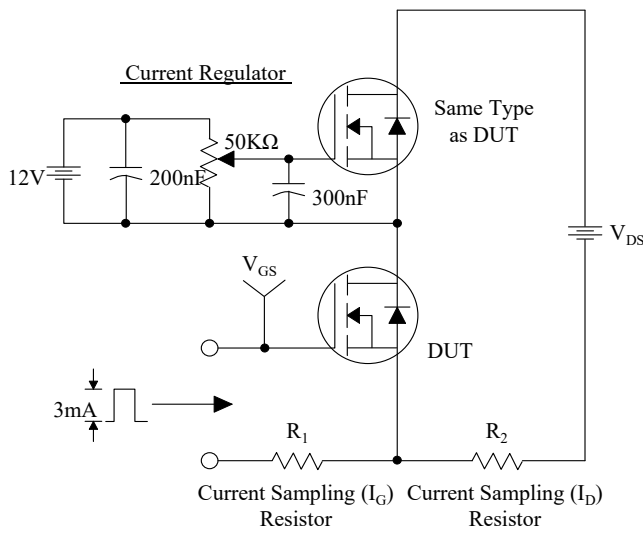


**Figure 9-2. Maximum Safe Operating Area SLF70R600S2**

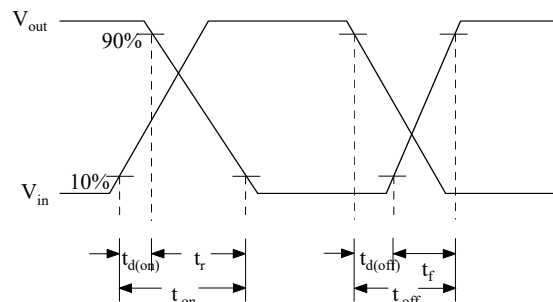
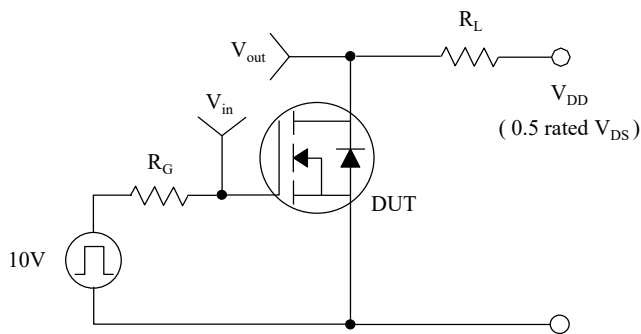


**Figure 10. Maximum Drain Current vs Case Temperature**

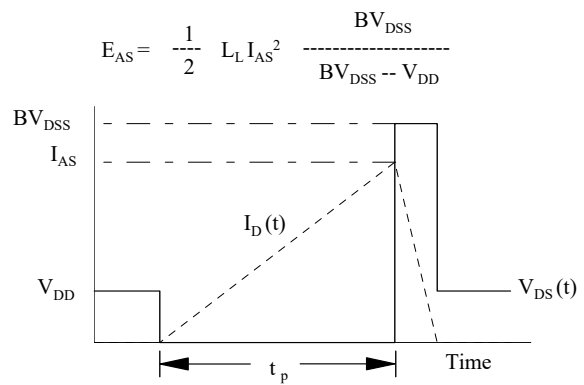
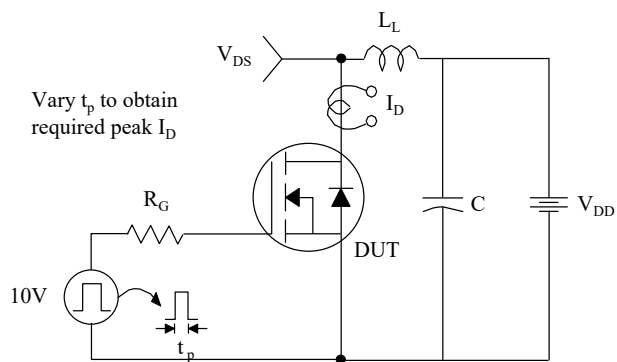
### Gate Charge Test Circuit & Waveform



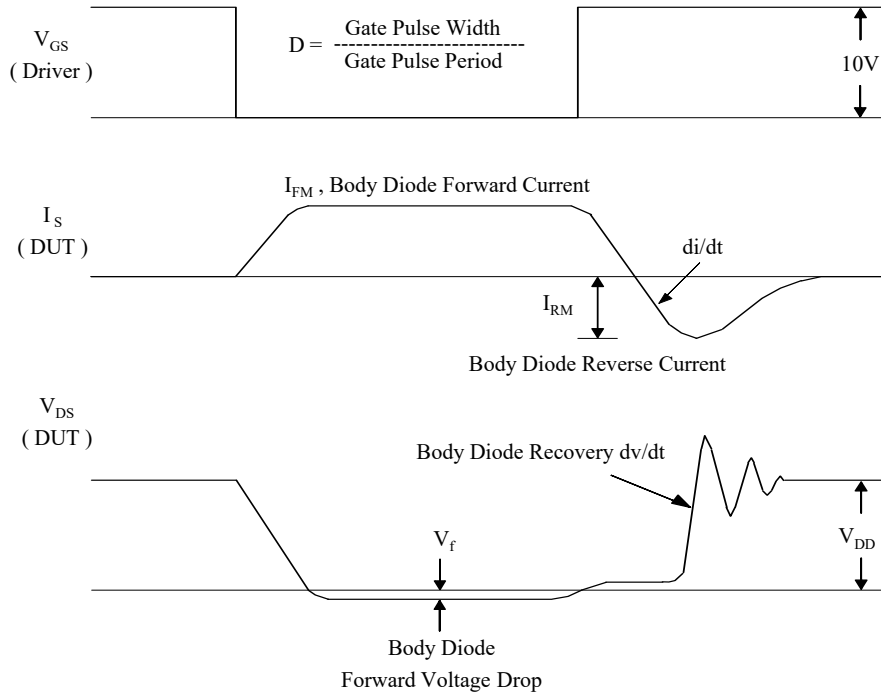
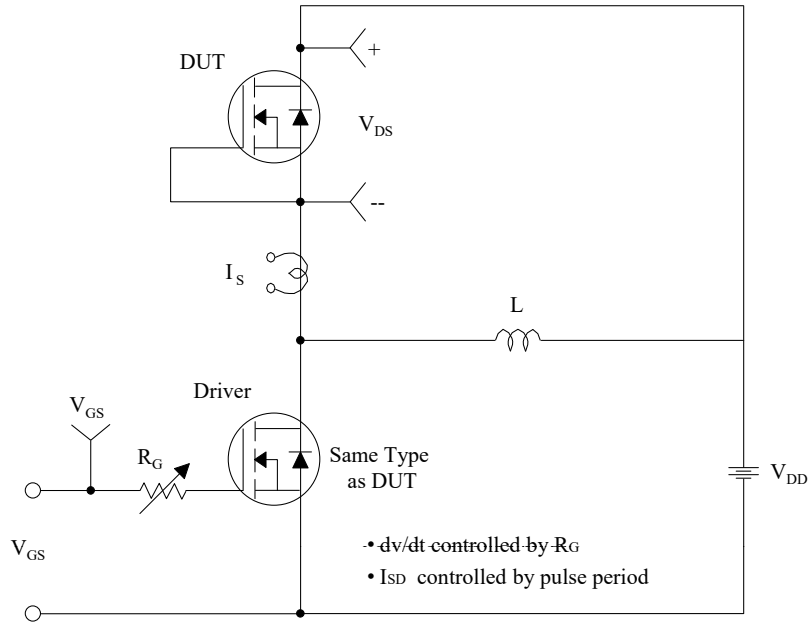
### Resistive Switching Test Circuit & Waveforms



### Unclamped Inductive Switching Test Circuit & Waveforms



### Peak Diode Recovery dv/dt Test Circuit & Waveforms



## X-ON Electronics

Largest Supplier of Electrical and Electronic Components

*Click to view similar products for [MOSFET](#) category:*

*Click to view products by [Maplesemi](#) manufacturer:*

Other Similar products are found below :

[614233C](#) [648584F](#) [MCH3443-TL-E](#) [MCH6422-TL-E](#) [FDPF9N50NZ](#) [FW216A-TL-2W](#) [FW231A-TL-E](#) [APT5010JVR](#) [NTNS3A92PZT5G](#)  
[IRF100S201](#) [JANTX2N5237](#) [2SK2464-TL-E](#) [2SK3818-DL-E](#) [FCA20N60\\_F109](#) [FDZ595PZ](#) [STD6600NT4G](#) [FSS804-TL-E](#) [2SJ277-DL-E](#)  
[2SK1691-DL-E](#) [2SK2545\(Q,T\)](#) [D2294UK](#) [405094E](#) [423220D](#) [MCH6646-TL-E](#) [TPCC8103,L1Q\(CM](#) [367-8430-0972-503](#) [VN1206L](#)  
[424134F](#) [026935X](#) [051075F](#) [SBVS138LT1G](#) [614234A](#) [715780A](#) [NTNS3166NZT5G](#) [751625C](#) [873612G](#) [IRF7380TRHR](#)  
[IPS70R2K0CEAKMA1](#) [RJK60S3DPP-E0#T2](#) [RJK60S5DPK-M0#T0](#) [APT5010JVFR](#) [APT12031JFLL](#) [APT12040JVR](#) [DMN3404LQ-7](#)  
[NTE6400](#) [JANTX2N6796U](#) [JANTX2N6784U](#) [JANTXV2N5416U4](#) [SQM110N05-06L-GE3](#) [SIHF35N60E-GE3](#)