

Double Row Terminal Blocks

200 Series

Kulka® 671 GP Series

300 Volts AC/DC (Class B)



206 / 671 GP 06

Specifications:

- Base, General Purpose Phenolic, 150°C (UL RTI)
- Closed Back Design
- Screws, #6-32 Binder Head, Phil-Slot, Steel
- Terminals, Plated Brass
- 1-30 Poles
- 7/16" Centers
- Wire Range With Wire Binding Screw
#12 - #22 AWG – 20 Amps
- Wire Range With Sems Pressure Screw #12 - #22 AWG
Stranded Copper Wire Only, 20 Amps
- UL Recognized File No. XCFR2.E62806
- CSA Certified File No. LR19766
- **CE**
- RoHS Compliant

MSP Catalog #	Kulka® Catalog #	# of poles	Dimensions	
			A	B
201	671 GP 01	1	1.19	0.88
202	671 GP 02	2	1.62	1.31
203	671 GP 03	3	2.06	1.75
204	671 GP 04	4	2.50	2.19
205	671 GP 05	5	2.94	2.63
206	671 GP 06	6	3.37	3.06
207	671 GP 07	7	3.81	3.50
208	671 GP 08	8	4.25	3.94
209	671 GP 09	9	4.69	4.38
210	671 GP 10	10	5.12	4.81
211	671 GP 11	11	5.56	5.25
212	671 GP 12	12	6.00	5.69
213	671 GP 13	13	6.44	6.13
214	671 GP 14	14	6.87	6.56
215	671 GP 15	15	7.31	7.00
216	671 GP 16	16	7.75	7.44
217	671 GP 17	17	8.19	7.88
218	671 GP 18	18	8.62	8.31
219	671 GP 19	19	9.06	8.75
220	671 GP 20	20	9.50	9.19
221	671 GP 21	21	9.94	9.63
222	671 GP 22	22	10.37	10.06
223	671 GP 23	23	10.81	10.50
224	671 GP 24	24	11.25	10.94
225	671 GP 25	25	11.69	11.38
226	671 GP 26	26	12.12	11.81
227	671 GP 27	27	12.56	12.25
228	671 GP 28	28	13.00	12.69
229	671 GP 29	29	13.44	13.13
230	671 GP 30	30	13.87	13.56

mm=dim X 25.4

For electronic drawings or 2D/3D CAD data, submit request at www.marathonsp.com/drawings.html

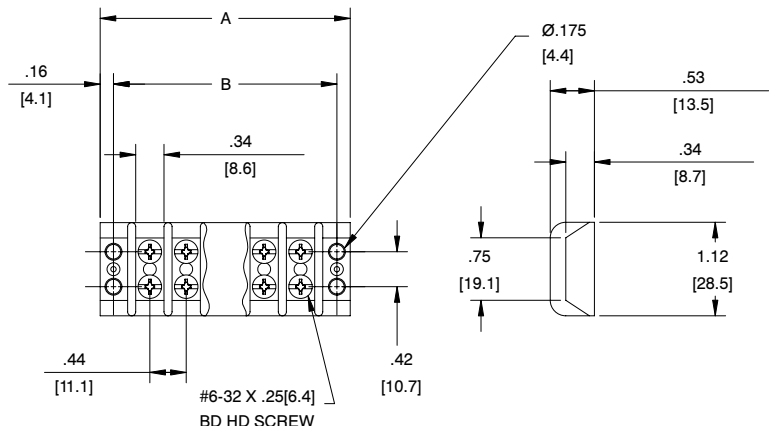
Hardware Options:

(Hardware options may affect ratings - consult Customer Service)

CATALOG #	PRODUCT DESCRIPTION	PAGE REFERENCE
F1	KT37 Full Quick Connect (0° Flat)	See page 105
F2	KT38 Full Quick Connect (45° Bend)	See page 105
F3	KT39 Full Quick Connect (90° Bend)	See page 105
HF1	KT43 Half Quick Connect (0° Flat)	See page 105
HF2	KT44 Half Quick Connect (45° Bend)	See page 105
HF3	KT45 Half Quick Connect (90° Bend)	See page 105
S	ST Full Solder	See page 106
HS	3/4 ST Half Solder	See page 106
L	Y Feed Thru Solder (.437)	See page 106
LSL	YSY Feed Thru Solder (.625)	See page 106
LL 200	J 601 Line to Line Jumper	See page 107
	601RJ(S) Multiple Position Jumper	See page 107
SP	3765 SEMS Pressure Saddle Screw	See page 107
SPSE	3767 SEMS Pressure Saddle Screw with External Tooth Lock Washer	Consult C/S
LWW	4000 Feed Thru Wire Wrap (.640)	Consult C/S
PSB	Phil-Slot Brass Screw	Consult C/S

Quick Connects: .032" x .250"

See pages 104-115 for terminal block accessories



X-ON Electronics

Largest Supplier of Electrical and Electronic Components

Click to view similar products for [marathon manufacturer](#):

Other Similar products are found below :

[104](#) [599-GP-2004-10](#) [600-2004-3-SP](#) [600-GP-20](#) [600TS-10](#) [601-GP-2102-02](#) [601-GP-3/4ST-12](#) [601-GPYSY-03](#) [601-JJ-06](#) [602-GPYSY-22](#)
[603-2302-04](#) [603-JJ-04](#) [603-JJ-07](#) [604-JJ-06](#) [605-GP-03SLB](#) [605-JJ-02](#) [651-XPR-13](#) [670-3/4ST-9](#) [670A-GP-3000-18](#) [670A-GP-3000-25](#)
[670A-GP-3000-27](#) [670A-GP-3/4ST-10](#) [670-GP-19](#) [CW205-01C](#) [671-RZ-25](#) [672-GPY-05](#) [672-RZ-24](#) [699-GP-2102-08](#) [699-GP-2120-12](#)
[6F30A3S](#) [6H38-TSKK-C](#) [6R30A3SP](#) [F600A1B](#) [F600A3B](#) [F60A1B](#) [799-6-KT28](#) [799-7-KT28](#) [FPB33588](#) [8TBJ02](#) [R30A1B](#) [RF400A3B](#)
[1321970](#) [1322970CH](#) [1320972](#) [1331955](#) [1332270](#) [1332554CH](#) [1333280CH](#) [1333575CH](#) [1353701](#)