

### Peak Sensitivity Wavelength: 940nm

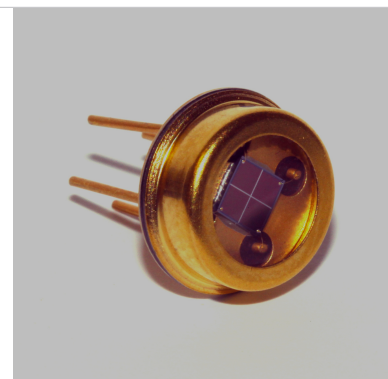
The MT03-004 is a square quadrant with a total active area of 5.8mm<sup>2</sup> (4 x 1.44mm<sup>2</sup>) with a 50um gap in a hermetic TO-5 metal can package. It is well suited for applications requiring high sensitivity (Green/Blue) as well as visible-near IR applications.

#### FEATURES

- > Ultra Low Noise
- > High Shunt Resistance
- > Wide Dynamic Range
- > Blue Enhanced

#### APPLICATIONS

- > Colorimeters
- > Beam centering
- > Optical Encoders
- > Fluorescence



### Absolute Maximum Ratings



ITEMS	SYMBOL	RATINGS	UNIT
Reverse Voltage	VR	50	V
Operating Temperature Range	Topr	-40 ~ +100	°C
Storage Temperature Range	Tstg	-55 ~ +125	°C
Lead Soldering Temperature *1	Tls	260	°C

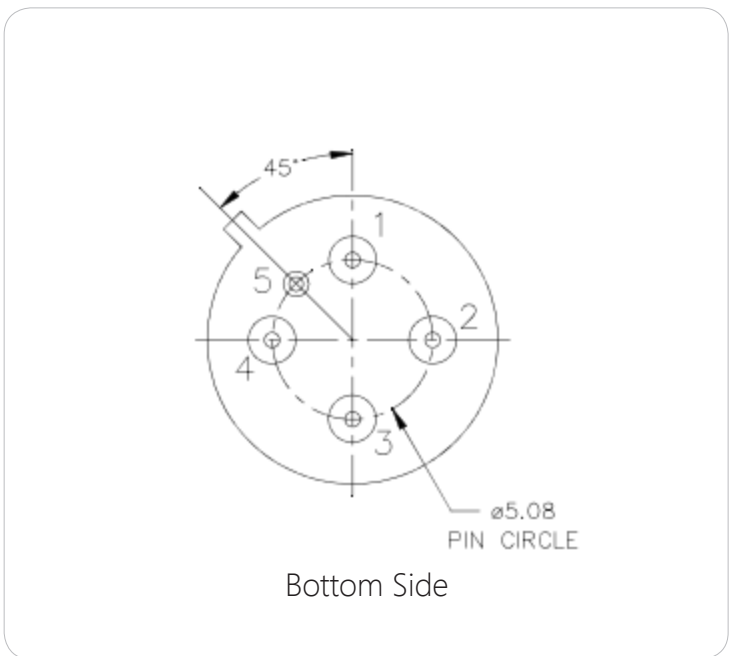
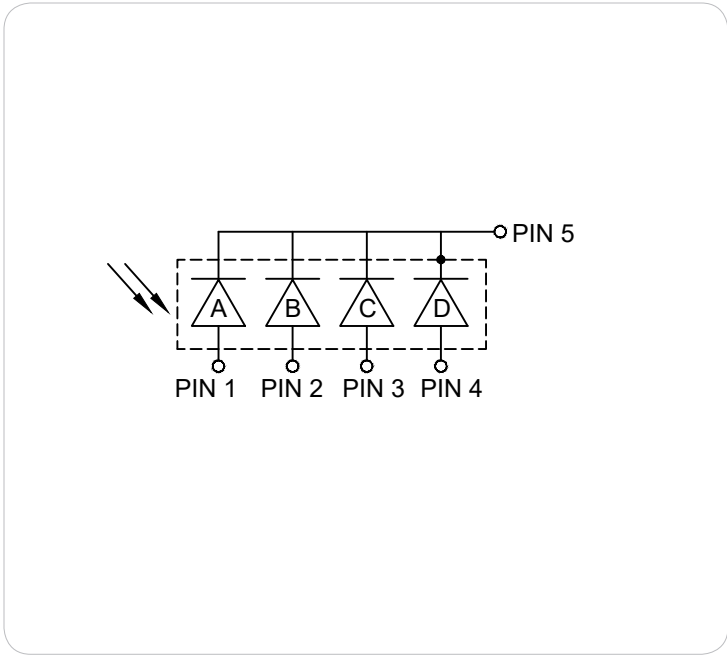
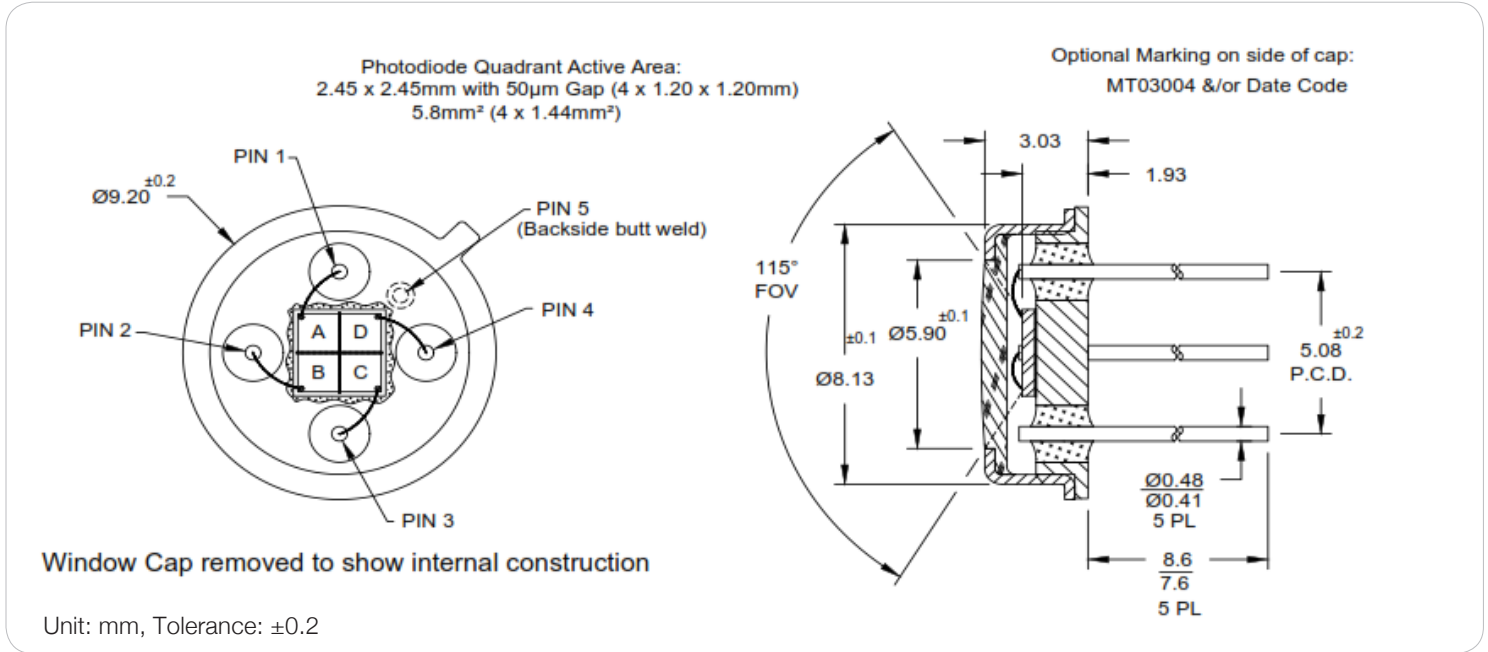
\*1: Time 5 Sec max, Position: Up to 3mm from the body.

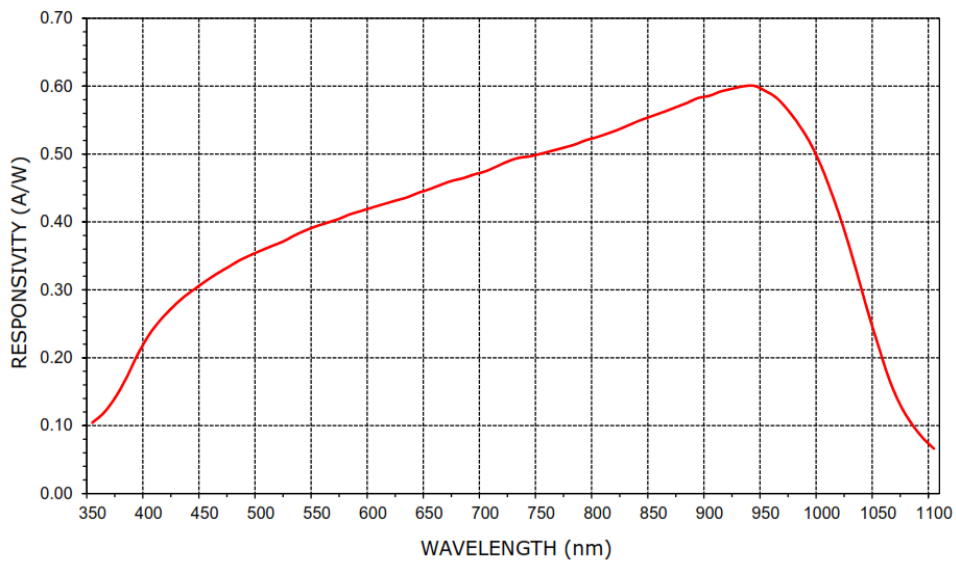
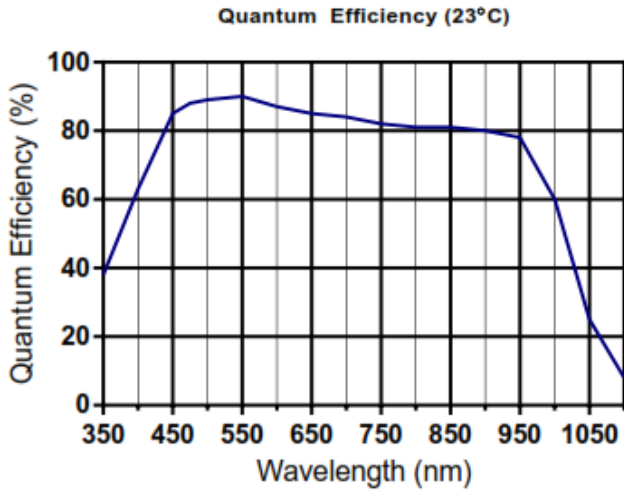
### Electrical & Optical Characteristics (Ta = 25°C)

ITEMS	SYMBOL	CONDITIONS	MIN	TYP	MAX	UNIT
Light Current	IL	*1, *2	--	--	10.0	mA
Dark Current	ID	VR=10V	--	0.5 per ele	1.0 per ele	nA
Spectral Sensitivity	λ	--	--	400~1100	--	nm
Peak Sensitivity Wavelength	λp	--	--	940	--	nm
Responsivity	Rt	VR=0V, λ=410nm	--	0.22	--	A/W
Responsivity	Rt	VR=0V, λ=940nm	--	0.60	--	A/W
Response Time @850nm	Tr	RL=50Ω, Vr=10V	--	20.0	22.0	nS
Junction Capacitance	Cj	at 1MHz, V=0V per ele	--	20	25	pF
Junction Capacitance	Cj	at 1MHz, V=10V per ele	--	3.5	6.0	pF
Shunt Resistance	Rs	Vr=10mV	200	250	--	MΩ

\*1: Color Temperature=2870°K Standard Tungsten Lamp, \*2: VR=10V, Ee=5mW/cm<sup>2</sup>.

TO-5 Package Dimensions (5 Pin)





The information contained herein is subject to change without notice.

2018-01-02

## X-ON Electronics

Largest Supplier of Electrical and Electronic Components

*Click to view similar products for [Photodiodes](#) category:*

*Click to view products by [Marktech](#) manufacturer:*

Other Similar products are found below :

[BPW 34 FAS-Z](#) [67-21SYGC-S349-TR8](#) [HFD3081-108-XBA](#) [BPW 34 S E9601](#) [MICROFJ-60035-TSV-TR](#) [ZSPD-Z3215B-10-Z2](#) [PT908-7B\(BIN4\)](#) [PT204-6B\(BY\)\(K\)](#) [PT928-6C/MA\(XBY\)](#) [PT908-7C\(BIN5\)](#) [PT968-8B\(6-2\)](#) [PT968-8C\(6-1\)](#) [PT204-6B\(BY\)\(J\)](#) [PT968-8B\(6-1\) PD70-01C/TR7\(BY\)](#) [PT968-8C\(6-2\)](#) [XYC-PD3020F90-S3](#) [ZSPD-Z3215C-10A-Z2](#) [ZSPD-Z3227B-10C-Z3](#) [ZSPD-Z3227C-10-Z3](#) [PD15-22C/TR8\(BY\)](#) [ZPD-Z3224B-T26-T15\(YPX\)](#) [ZSPD-Z5042C-A10-Z1](#) [ZSPD053B-S40](#) [PT334-6C\(BY\)\(K\)](#) [PT968-8C\(X1-X4\)XBY](#) [PT334-6B\(BY\)\(K\)](#) [PT928-6C\(5-2\)](#) [PT334-6B\(BY\)\(L\)](#) [PT333-3B\(BY\)\(K\)](#) [PT334-6B\(BY\)\(M\)](#) [XYC-PD2835F30-F1](#) [XYC-PD204B-L1](#) [XYC-PD3A940FC-F1](#) [XYC-PD4335F90-E2](#) [ZSPD808B](#) [ZSPD818B](#) [ZSPD034B-N](#) [ZSPD888C](#) [ZSPD053B-90-S90](#) [PD234-6B/L3](#) [PD70-01C/TR7\(ORI\)](#) [NCD2516RGI1](#) [NCD3220S1](#) [NCD4437S1](#) [NCD1816RGI1](#) [XYC-PD333B-L2](#) [XYC-PD5AB940DC-E9](#) [XL-504PDC](#) [XL-304PDC](#)