

### Enhanced Sensitivity Wavelength: 365nm

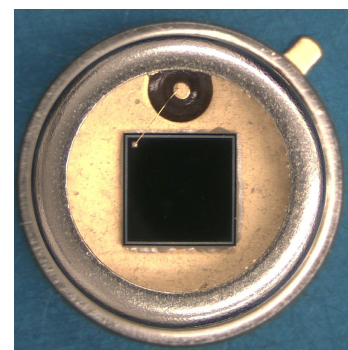
The MT03-018 is a 7.50mm<sup>2</sup> Active area Photodiode in a hermetic TO-5 metal can package. It is specifically designed for use @365nm or Blue/Green applications requiring high signal and low noise.

#### FEATURES

- > Ultra low noise
- > High Shunt Resistance
- > Wide Dynamic Range
- > 365nm and Blue/Green enhanced

#### APPLICATIONS

- > Color Meter
- > Currency Authentication
- > Spectroscopy Equipment
- > Fluorescence



### Absolute Maximum Ratings



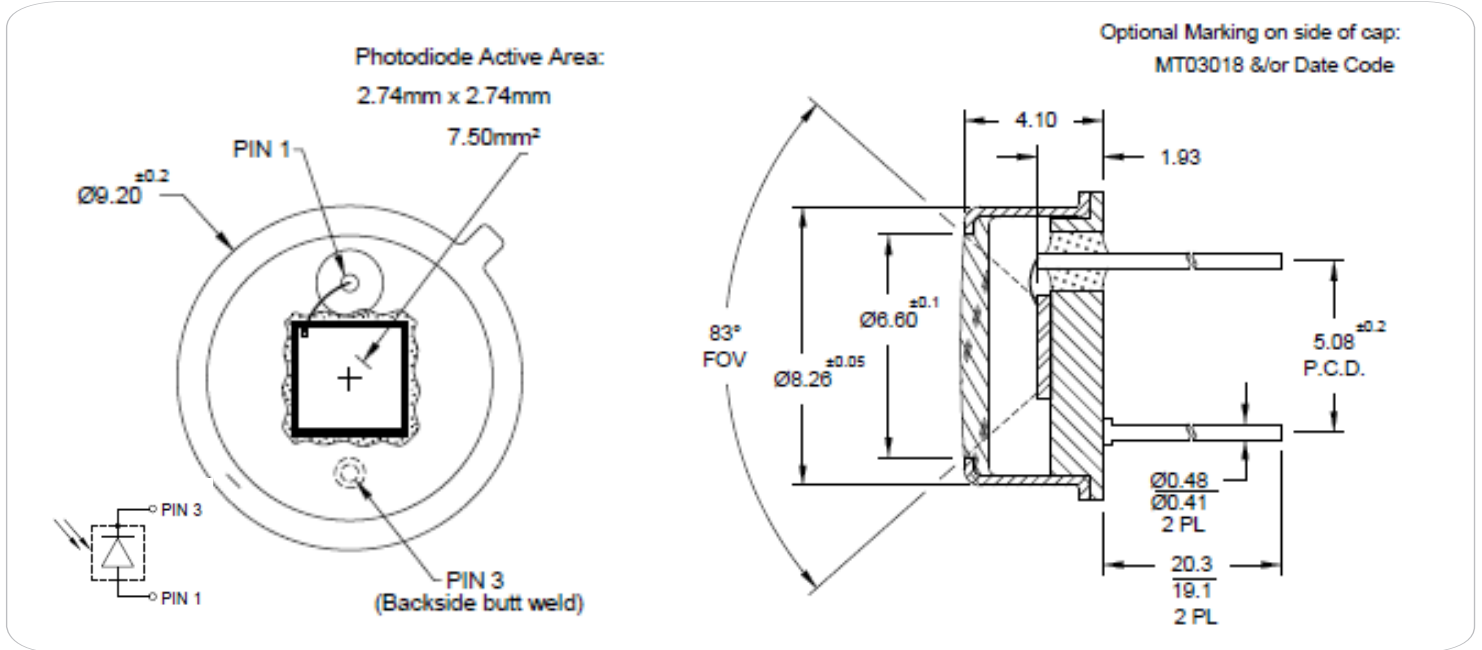
| ITEMS                        | SYMBOL | RATINGS    | UNIT |
|------------------------------|--------|------------|------|
| Reverse Voltage              | VR     | 50         | V    |
| Operating Temperature Range  | Topr   | -40 ~ +100 | °C   |
| Storage Temperature Range    | Tstg   | -55 ~ +125 | °C   |
| Lead Soldering Temperature*1 | Tls    | 260        | °C   |

\*1: Time 5 Sec max, Position: Up to 3mm from the body.

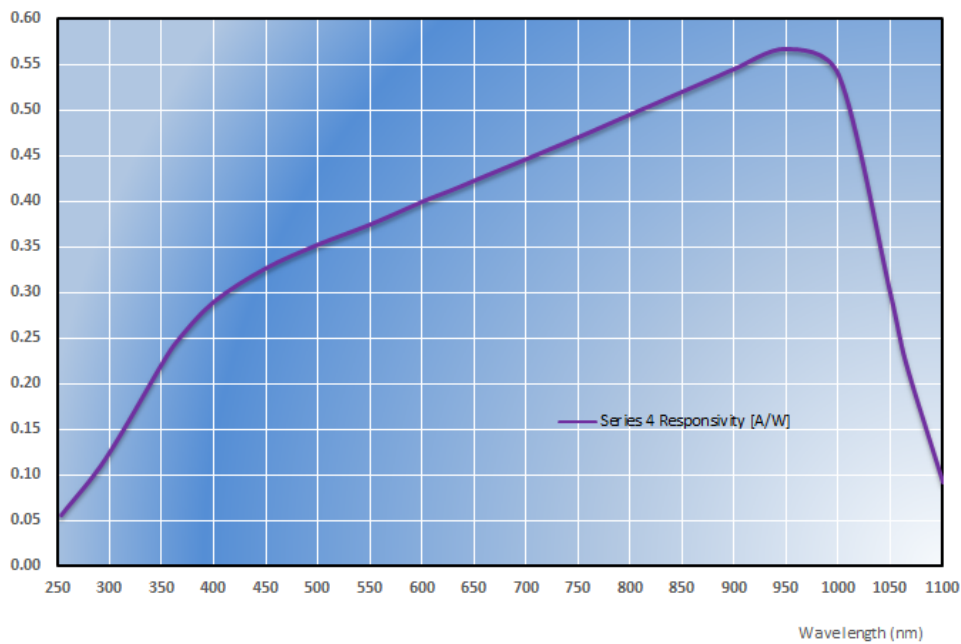
### Electrical & Optical Characteristics (Ta = 23°C)

| ITEMS                       | SYMBOL      | CONDITIONS              | MIN  | TYP      | MAX | UNIT       |
|-----------------------------|-------------|-------------------------|------|----------|-----|------------|
| Dark Current                | ID          | Vr=5V                   | --   | .1       | 10  | nA         |
| Forward Voltage             | Vf          | If=2mA                  | --   | --       | 0.8 | V          |
| Breakdown Voltage           | Vb          | Ir=10uA                 | 130  | --       | --  | V          |
| Spectral Sensitivity        | $\lambda$   | --                      | --   | 250-1100 | --  | nm         |
| Peak Sensitivity Wavelength | $\lambda_p$ | --                      | --   | 950      | --  | nm         |
| Responsivity                | Rt          | Vr=0V, $\lambda=365$ nm | 0.18 | 0.22     | --  | A/W        |
| Responsivity                | Rt          | Vr=0V, $\lambda=633$ nm | --   | 0.38     | --  | A/W        |
| Response Time 365nm         | Tr          | Vr=0V, RL=1k $\Omega$   | --   | 100      | --  | nS         |
| Junction Capacitance        | Cj          | at 1MHz, Vr=0V          | --   | 130      | --  | pF         |
| Junction Capacitance        | Cj          | at 1MHz, Vr=5V          | --   | 50       | 70  | pF         |
| Shunt Resistance            | Rsh         | Vr=10mV                 | --   | 400      | --  | m $\Omega$ |

Device Dimensions



Marktech Photodiode Responsivity Series 4 [A/W]



The information contained herein is subject to change without notice.

2018-08-09

## X-ON Electronics

Largest Supplier of Electrical and Electronic Components

*Click to view similar products for [Photodiodes](#) category:*

*Click to view products by [Marktech](#) manufacturer:*

Other Similar products are found below :

[BPW 34 FAS-Z](#) [67-21SYGC-S349-TR8](#) [HFD3081-108-XBA](#) [BPW 34 S E9601](#) [MICROFJ-60035-TSV-TR](#) [ZSPD-Z3215B-10-Z2](#) [PT908-7B\(BIN4\)](#) [PT204-6B\(BY\)\(K\)](#) [PT928-6C/MA\(XBY\)](#) [PT908-7C\(BIN5\)](#) [PT968-8B\(6-2\)](#) [PT968-8C\(6-1\)](#) [PT204-6B\(BY\)\(J\)](#) [PT968-8B\(6-1\) PD70-01C/TR7\(BY\)](#) [PT968-8C\(6-2\)](#) [XYC-PD3020F90-S3](#) [ZSPD-Z3215C-10A-Z2](#) [ZSPD-Z3227B-10C-Z3](#) [ZSPD-Z3227C-10-Z3](#) [PD15-22C/TR8\(BY\)](#) [ZPD-Z3224B-T26-T15\(YPX\)](#) [ZSPD-Z5042C-A10-Z1](#) [ZSPD053B-S40](#) [PT334-6C\(BY\)\(K\)](#) [PT968-8C\(X1-X4\)XBY](#) [PT334-6B\(BY\)\(K\)](#) [PT928-6C\(5-2\)](#) [PT334-6B\(BY\)\(L\)](#) [PT333-3B\(BY\)\(K\)](#) [PT334-6B\(BY\)\(M\)](#) [XYC-PD2835F30-F1](#) [XYC-PD204B-L1](#) [XYC-PD3A940FC-F1](#) [XYC-PD4335F90-E2](#) [ZSPD808B](#) [ZSPD818B](#) [ZSPD034B-N](#) [ZSPD888C](#) [ZSPD053B-90-S90](#) [PD234-6B/L3](#) [PD70-01C/TR7\(ORI\)](#) [NCD2516RGI1](#) [NCD3220S1](#) [NCD4437S1](#) [NCD1816RGI1](#) [XYC-PD333B-L2](#) [XYC-PD5AB940DC-E9](#) [XL-504PDC](#) [XL-304PDC](#)