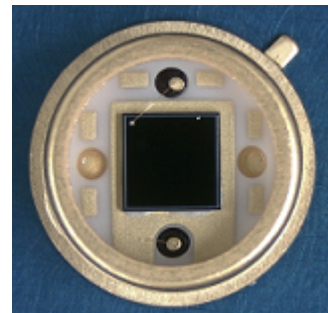


## Enhanced Sensitivity Wavelength: 365nm

The MT03-022 is a 7.50mm<sup>2</sup> Active area Photodiode in a Isolated hermetic TO-5 metal can package. It is specifically designed for use @365nm or Blue/Green applications requiring high signal and low noise.



### FEATURES

- > Ultra low noise
- > High Shunt Resistance
- > Wide Dynamic Range
- > 365nm and Blue/Green enhanced

### APPLICATIONS

- > Color Meter
- > Currency Authentication
- > Spectroscopy Equipment
- > Fluorescence

## Absolute Maximum Ratings



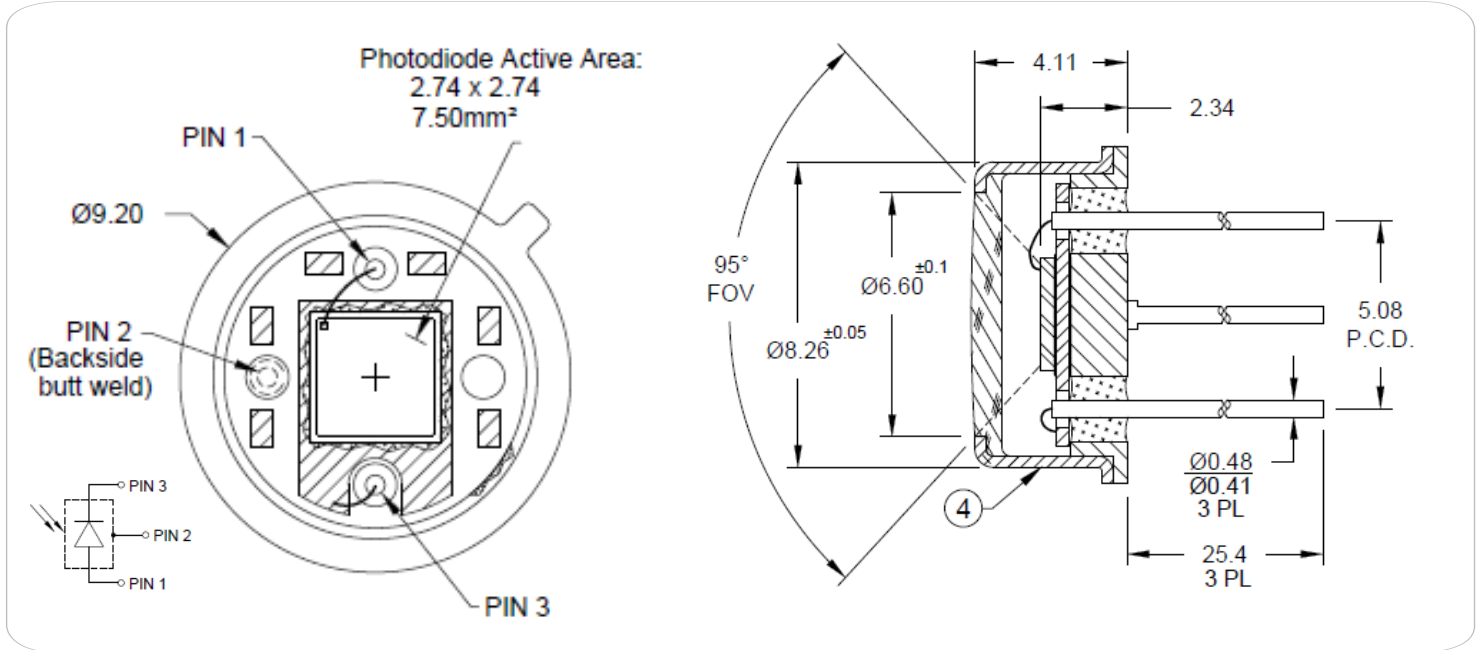
| ITEMS                        | SYMBOL | RATINGS    | UNIT |
|------------------------------|--------|------------|------|
| Reverse Voltage              | VR     | 50         | V    |
| Operating Temperature Range  | Topr   | -40 ~ +100 | °C   |
| Storage Temperature Range    | Tstg   | -55 ~ +125 | °C   |
| Lead Soldering Temperature*1 | Tls    | 260        | °C   |

\*1: Time 5 Sec max, Position: Up to 3mm from the body.

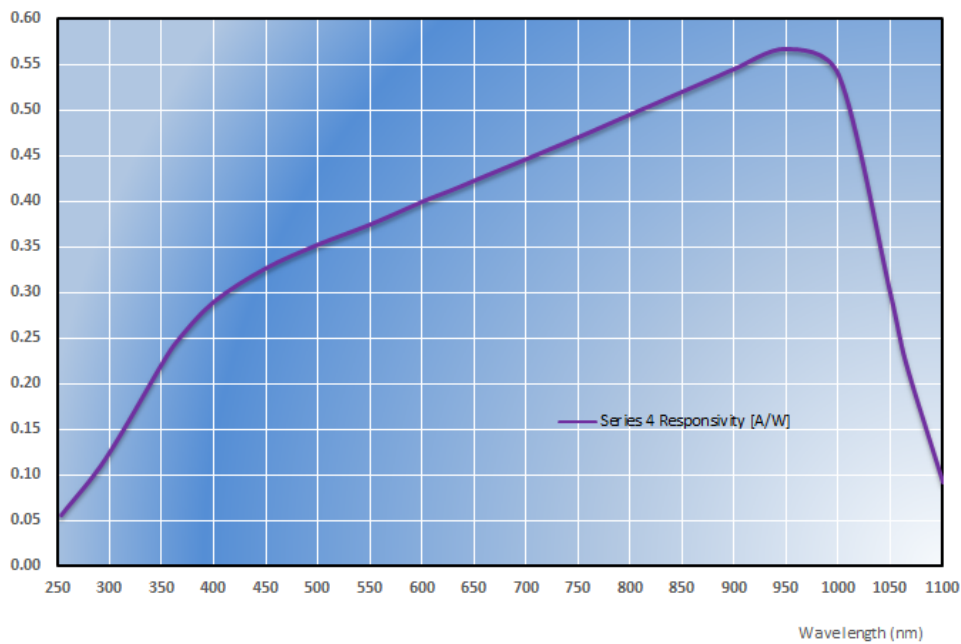
## Electrical & Optical Characteristics (Ta = 23°C)

| ITEMS                       | SYMBOL | CONDITIONS     | MIN  | TYP      | MAX | UNIT |
|-----------------------------|--------|----------------|------|----------|-----|------|
| Dark Current                | ID     | Vr=5V          | --   | .1       | 10  | nA   |
| Forward Voltage             | Vf     | If=2mA         | --   | --       | 0.8 | V    |
| Breakdown Voltage           | Vb     | Ir=10uA        | 130  | --       | --  | V    |
| Spectral Sensitivity        | λ      | --             | --   | 250-1100 | --  | nm   |
| Peak Sensitivity Wavelength | λp     | --             | --   | 950      | --  | nm   |
| Responsivity                | Rt     | Vr=0V, λ=365nm | 0.18 | 0.22     | --  | A/W  |
| Responsivity                | Rt     | Vr=0V, λ=633nm | --   | 0.38     | --  | A/W  |
| Response Time 365nm         | Tr     | Vr=0V, RL=1kΩ  | --   | 100      | --  | nS   |
| Junction Capacitance        | Cj     | at 1MHz, Vr=0V | --   | 130      | --  | pF   |
| Junction Capacitance        | Cj     | at 1MHz, Vr=5V | --   | 50       | 70  | pF   |
| Shunt Resistance            | Rsh    | Vr=10mV        | --   | 400      | --  | mΩ   |

Device Dimensions



Marktech Photodiode Responsivity Series 4 [A/W]



The information contained herein is subject to change without notice.

2017-06-28

## X-ON Electronics

Largest Supplier of Electrical and Electronic Components

*Click to view similar products for [Photodiodes](#) category:*

*Click to view products by [Marktech](#) manufacturer:*

Other Similar products are found below :

[LTR-526AD](#) [OED-SP-7L](#) [LTR-536AB](#) [LTR-743DBM1-TA](#) [67-21SYGC-S349-TR8](#) [SFH 2200 A01](#) [HFD3081-108-XBA](#) [BPW 34 S E9601](#)  
[SFH 2713](#) [SFH 2703](#) [LTR-546AD](#) [BPV23FL](#) [BPW 34 FAS](#) [BPW 34 FS](#) [IG17X1000S4I](#) [IG22X250S4I](#) [VTD205H](#) [VTD205KH](#)  
[VTP1232FH](#) [VTP4085H](#) [SFH 2400](#) [OP913WSL](#) [OPF794](#) [PD70-01C/TR7](#) [LTR-536AD](#) [VTP8651H](#) [VTD206KH](#) [VTB1013H](#) [BPV23NF](#)  
[OP905](#) [LTR-516AD](#) [BPW 34 FS-Z](#) [VTD34FH](#) [QSB34CGR](#) [SFH 2500 FA](#) [PD15-22C/TR8](#) [VEMD5510C](#) [SFH 2200](#) [VEMD5510CF](#)  
[SAH230M](#) [SAH230M2](#) [SAH500M2](#) [MTAPD-07-010](#) [BP 104 FS](#) [BPV22F-AS12](#) [BPW 21](#) [BPW 34 SR-Z](#) [BPX 65](#) [HSDL-5400#011](#) [BPW](#)  
[34 FASR](#)