

## Peak Sensitivity Wavelength: 940nm

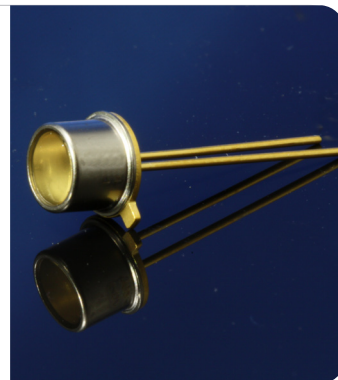
The MTD3910W is a photo diode in a TO-18 metal can flat top package. It is well suited for high reliability and high speed applications.

### FEATURES

- > Linearity of Ee vs IL
- > Low Dark Current / Metal Can Package
- > Wide Angular Response
- > High Reliability in Demanding Environments

### APPLICATIONS

- > Optical Switches
- > Edge Sensing
- > Fiber Optical Communications
- > Smoke Detectors



## Absolute Maximum Ratings (Ta=25°C)



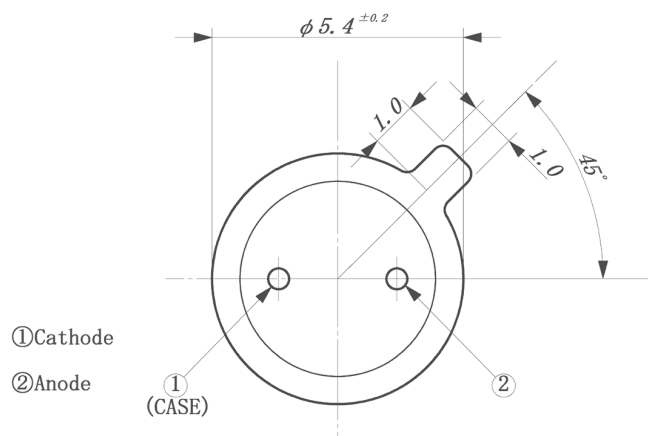
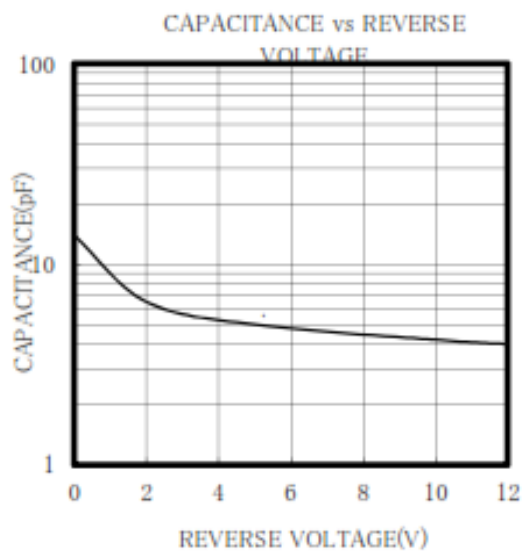
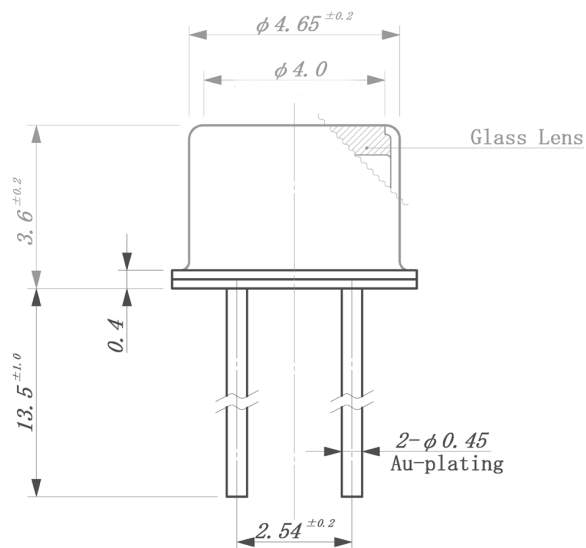
ITEMS	SYMBOL	RATINGS	UNIT
Reverse Voltage	VR	30	V
Power Dissipation	PD	100	mW
Operating Temperature Range	Topr	-30 ~ +100	°C
Storage Temperature Range	Tstg	-40 ~ +125	°C
Junction Temperature	Tj	125	°C
Lead Soldering Temperature*1	Tls	260	°C

\*1: Time 5 Sec max, Position: Up to 3mm from the body.

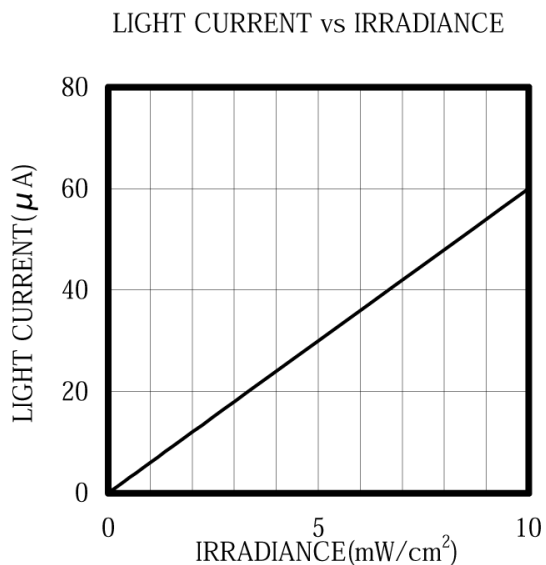
## Electrical & Optical Characteristics (Ta = 25°C)

ITEMS	SYMBOL	CONDITIONS	MIN	TYP	MAX	UNIT
Light Current	IL	*1, *2	--	30	--	μA
Dark Current	ID	VR=10V	--	--	10	nA
Junction Capacitance	Cj	at 1MHz, V=2.5V	--	6	12	pF
Spectral Sensitivity	λ	--	--	400~1060	--	nm
Peak Sensitivity Wavelength	λp	--	--	940	--	nm
Responsivity	Rt	VR=0V, λ=900nm	--	0.58	--	A/W

\*1: Color Temperature=2870°K Standard Tungsten Lamp, \*2: VR=10V, Ee=5mW/cm².

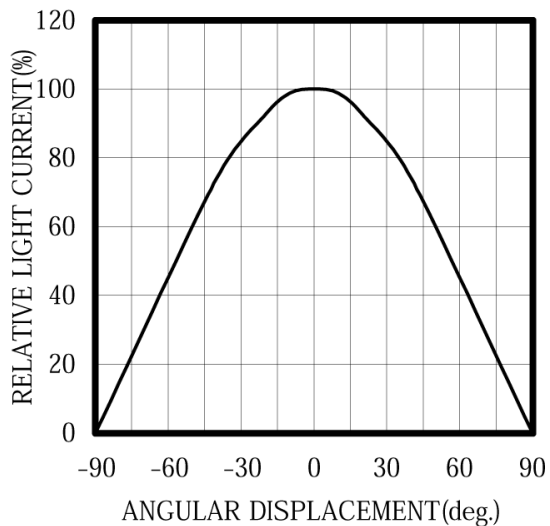


Weight: 0.25g per pc (TYP)

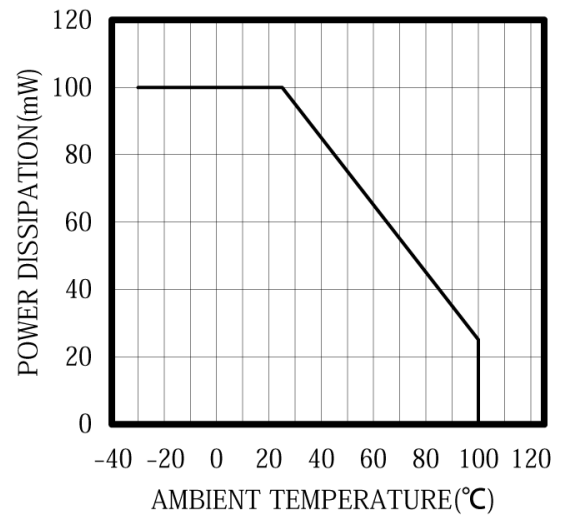


Unit: mm, Tolerance:  $\pm 0.2$

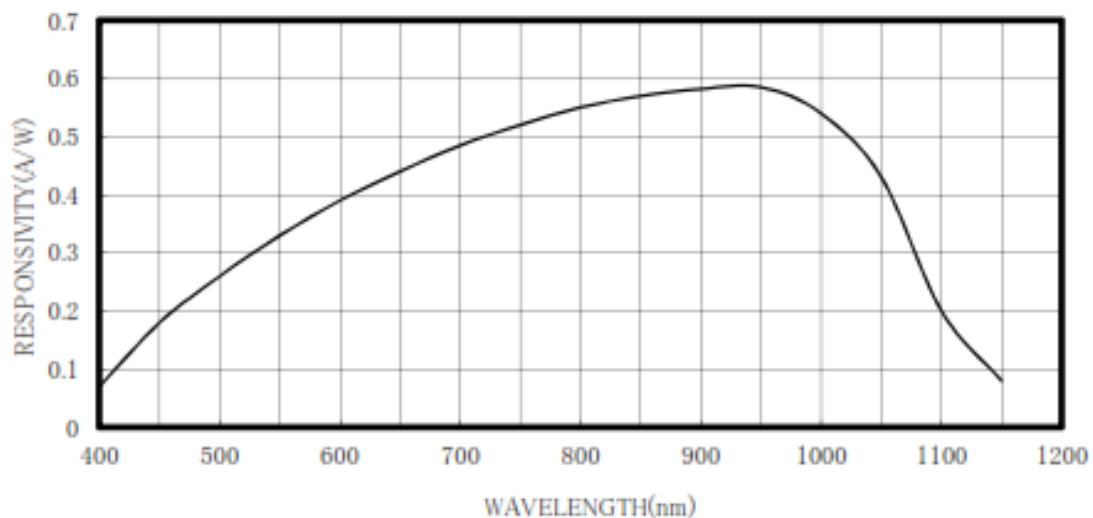
ANGULAR DISPLACEMENT



THERMAL DERATING CURVE



RESPONSIVITY



The information contained herein is subject to change without notice.

2020-07-06

## X-ON Electronics

Largest Supplier of Electrical and Electronic Components

*Click to view similar products for [Photodiodes](#) category:*

*Click to view products by [Marktech](#) manufacturer:*

Other Similar products are found below :

[LTR-526AD](#) [OED-SP-7L](#) [LTR-536AB](#) [LTR-743DBM1-TA](#) [67-21SYGC-S349-TR8](#) [SFH 2200 A01](#) [HFD3081-108-XBA](#) [BPW 34 S E9601](#)  
[SFH 2713](#) [SFH 2703](#) [LTR-546AD](#) [BPV23FL](#) [BPW 34 FAS](#) [BPW 34 FS](#) [IG17X1000S4I](#) [IG22X250S4I](#) [VTD205H](#) [VTD205KH](#)  
[VTP1232FH](#) [VTP4085H](#) [SFH 2400](#) [OP913WSL](#) [OPF794](#) [PD70-01C/TR7](#) [LTR-536AD](#) [VTP8651H](#) [VTD206KH](#) [VTB1013H](#) [BPV23NF](#)  
[OP905](#) [LTR-516AD](#) [BPW 34 FS-Z](#) [VTD34FH](#) [QSB34CGR](#) [SFH 2500 FA](#) [PD15-22C/TR8](#) [VEMD5510C](#) [SFH 2200](#) [VEMD5510CF](#)  
[SAH230M](#) [SAH230M2](#) [SAH500M2](#) [MTAPD-07-010](#) [BP 104 FS](#) [BPV22F-AS12](#) [BPW 21](#) [BPW 34 SR-Z](#) [BPX 65](#) [HSDL-5400#011](#) [BPW](#)  
[34 FASR](#)