

Peak Emission Wavelength: 450nm

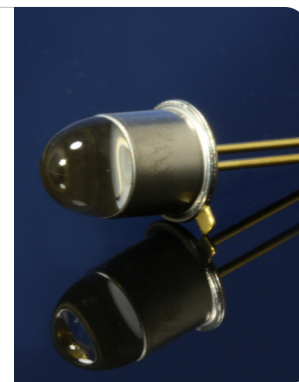
The 450nm visible emitter series is designed for applications requiring high output and precise optical / mechanical axis alignment. Custom package solutions and sorting are available.

FEATURES

- > TO-18 Metal Can Domed Package
- > High Output Power
- > High Reliability
- > Narrow Beam Angle
- > Using Cree EZ950 Series Die

APPLICATIONS

- > Industrial Equipment
- > Medical
- > Machine Vision
- > Currency Validation
- > Light Source For Emitters



Absolute Maximum Ratings (Ta=25°C)



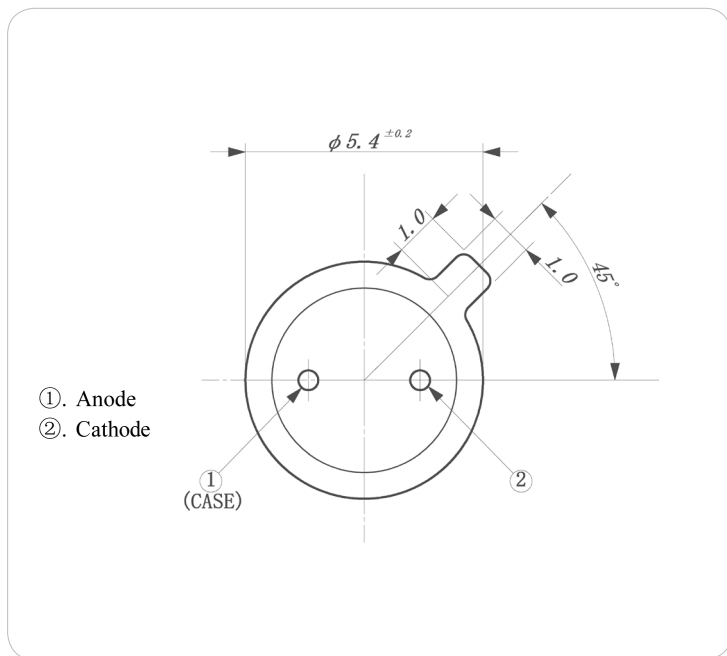
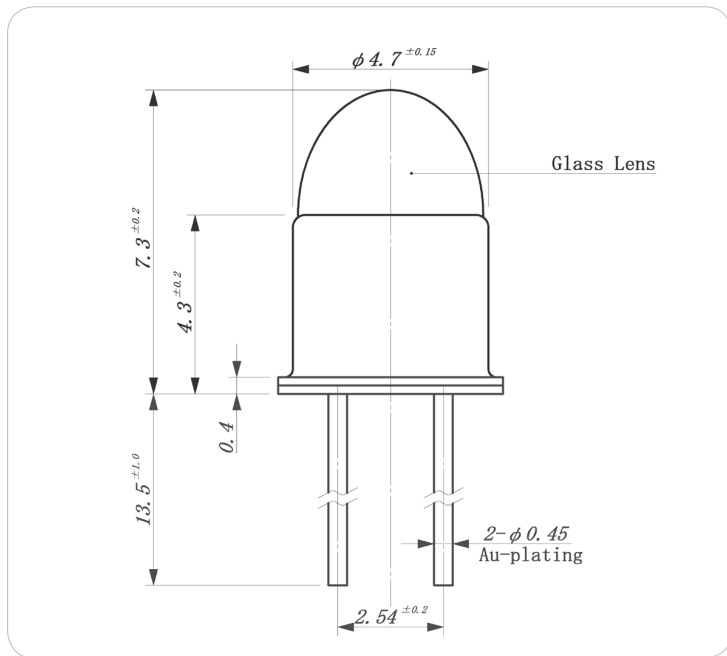
ITEMS	SYMBOL	RATINGS	UNIT
Forward Current (DC) *3	IF	150	mA
Forward Current (Pulse) *1	IFP	--	A
Reverse Voltage	VR	5	V
Power Dissipation	PD	480	mW
Operating Temperature Range	Topr-	-40 ~ +100	°C
Storage Temperature	Tstg	-40 ~ +120	°C
Junction Temperature	Tj	150	°C
Lead Soldering Temperature *2	Tls	260	°C

*1: Tw=10usec, T=10msec; *2: Time 5 Sec max, Position: Up to 3mm from the body *3: Proper heat sink required.

Electrical & Optical Characteristics (Ta = 25°C)

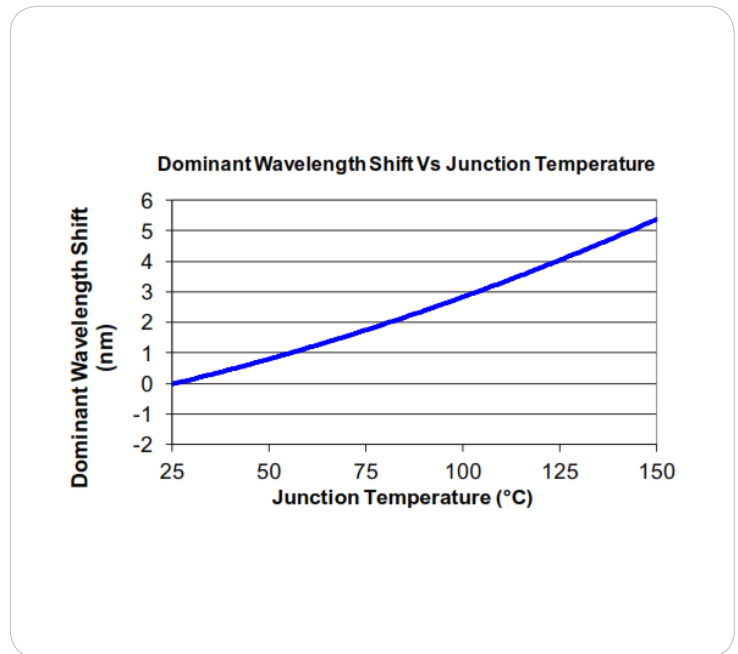
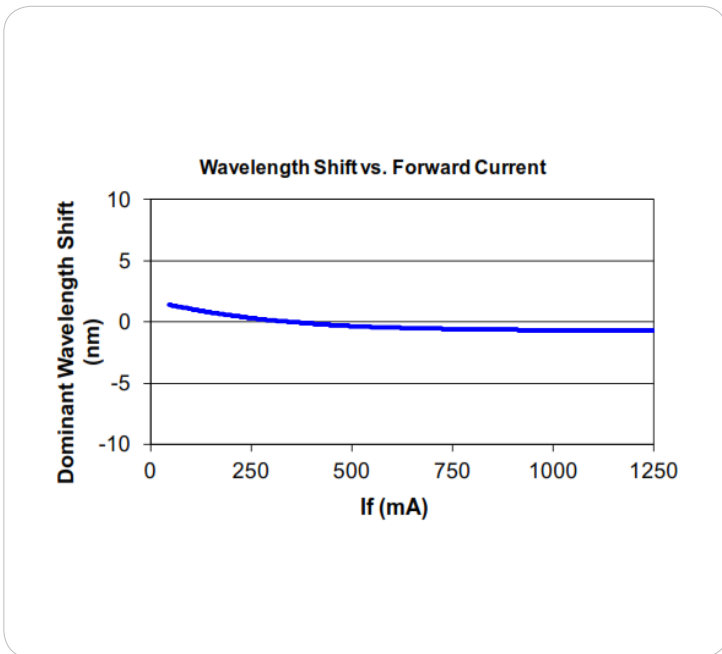
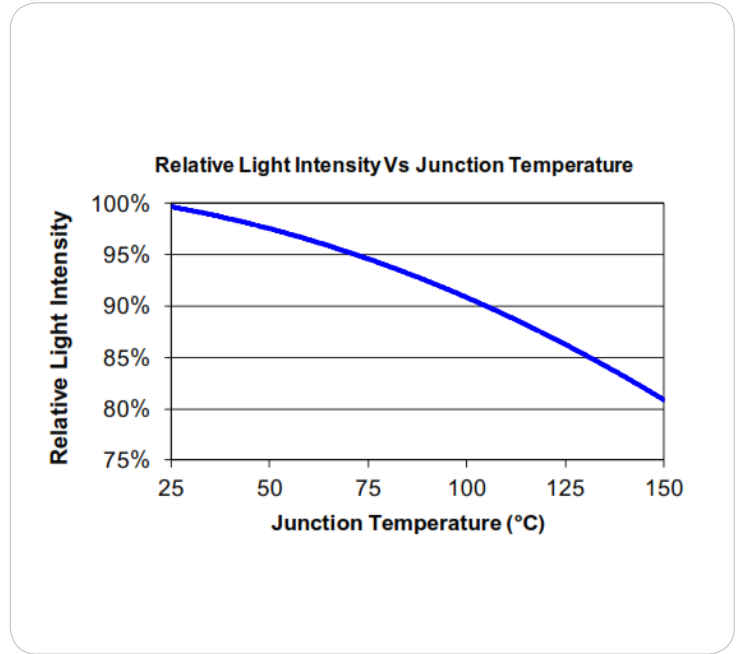
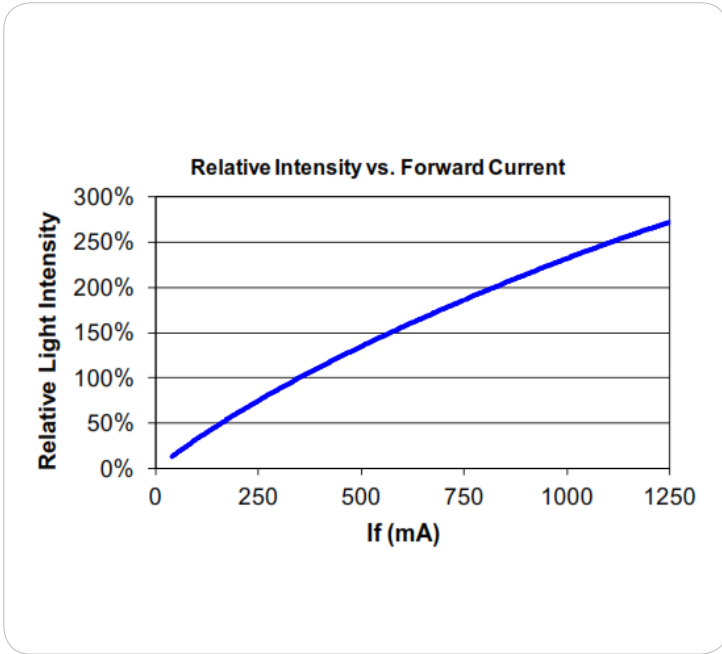
ITEMS	SYMBOL	CONDITIONS	MIN	TYP	MAX	UNIT
Power Output	PO	IF=50mA	--	38.9	--	mW
Forward Voltage	VF	IF=50mA	--	2.8	--	V
Reverse Current	IR	IF=50mA	--	2	--	μA
Peak Emission Wavelength	λp	IF=50mA	--	447	--	nm
Dominant Emission Wavelength	λd	IF=50mA	--	452	--	nm
Spectral Line Half Width	Δλ	IF=50mA	--	20	--	nm
Half Intensity Beam Angle	Θ	IF=50mA	--	±5	--	deg

Package Dimensions

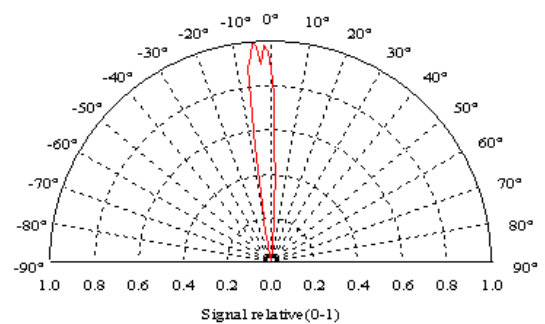
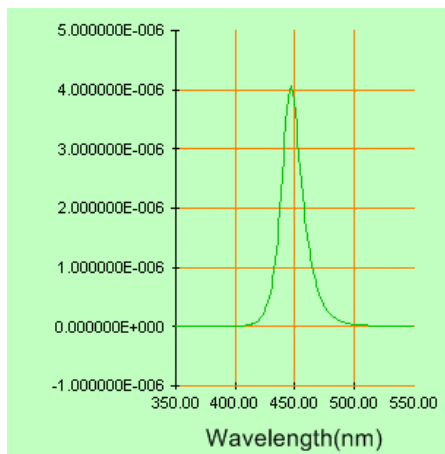
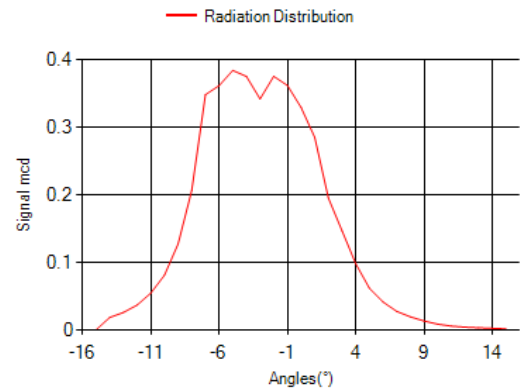
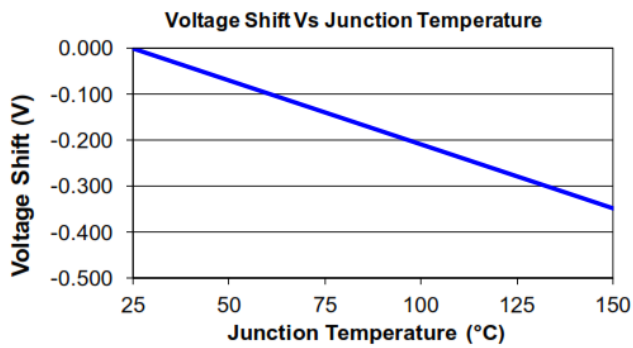


Unit: mm, Tolerance: ± 0.2

Characteristic Curves (Ta = 25°C)



Characteristic Curves (Ta = 25°C)



The information contained herein is subject to change without notice.

2015-04-09

X-ON Electronics

Largest Supplier of Electrical and Electronic Components

Click to view similar products for [marktech](#) manufacturer:

Other Similar products are found below :

[MTAPD-07-014](#) [MTE5066CJ-UR](#) [MTPS8085NJ1](#) [MT3700W3-UV](#) [MTE280F13-UV](#) [MTE5052W-UBG](#) [MTE8560P](#) [MTE8760NJ2](#) [MTG7-001I-XBD00-BL-0Z01](#) [MTD3010N](#) [MTE310H41-UV](#) [MTE340H33-UV](#) [MTAPD-06-014](#) [MTE5057N-UYG](#) [MTMS7700T38](#) [MTPS9067MC](#) [MTE5066WSC-UR](#) [MTAPD-07-010](#) [MTE310H32-UV](#) [MTE9460N1](#) [MTE325F13-UV](#) [MTE6000N](#) [MTE6000L-HP](#) [MTE9460N5](#) [MTAPD-07-012](#) [MTAPD-07-016](#) [MTE325H32-UV](#) [MTE4064PT-UR](#) [MTPS3085MT](#) [MTPS9067WC](#) [MTE5052N-UBG](#) [MTE5900M3A-UY](#) [MTG7-001I-XQB00-CW-L053](#) [MTPS8085PT](#) [MTAPD-07-007](#) [MTE310H33-UV](#) [MTPS8085CP](#) [MTE310H21-UV](#) [MTD1114M3B](#) [MTD6100PT](#) [MTE340F13-UV](#) [MTAPD-07-003](#) [MTE325H41-UV](#) [MTAPD-06-009](#) [MTE3061N-UO](#) [MTPS3085WS](#) [MTAPD-06-006](#) [MTAPD-06-010](#) [MTE9460N2](#) [MTE1300N](#)