

Peak Emission Wavelength: 670nm (2), 810nm (2), 950nm (2)

The MTMD6894T38 is a multi-chip emitter designed for applications requiring various emission sources in a small, densely packaged area. These devices can be custom designed for specific wavelengths and outputs.

FEATURES

- > Hermetically Sealed TO-5 Metal Can Package
- > High Reliability
- > High Output Power

APPLICATIONS

- > Medical Instrumentation
- > Currency Validation
- > Biofluorescence Analysis



Absolute Maximum Ratings (Ta=25°C)



ITEMS	SYMBOL	RATINGS			UNIT
		670	810	950	
Forward Current (DC)	IF	50	100	100	mA
Forward Current (Pulse)*1	IFP	0.5	1	1	A
Reverse Voltage	VR		5		V
Power Dissipation	PD	110	190	100	mW
Operating Temperature Range	Topr		-20 ~ +85		°C
Storage Temperature Range	Tstg		-30 ~ +100		°C
Junction Temperature	Tj		100		°C
Lead Soldering Temperature*2	Tls		260		°C

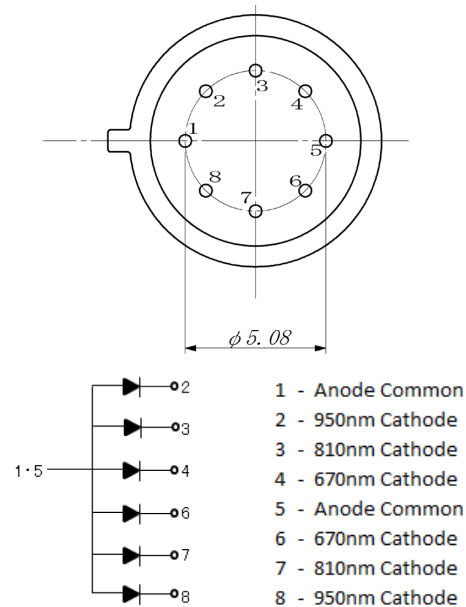
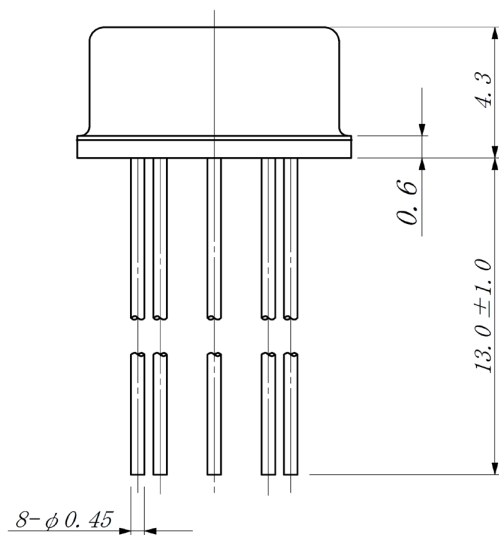
*1: Tw=10µsec, T=10msec. *2: Time 5 Sec max; Position: Up to 3mm from the body.

Electrical & Optical Characteristics (Ta = 25°C)

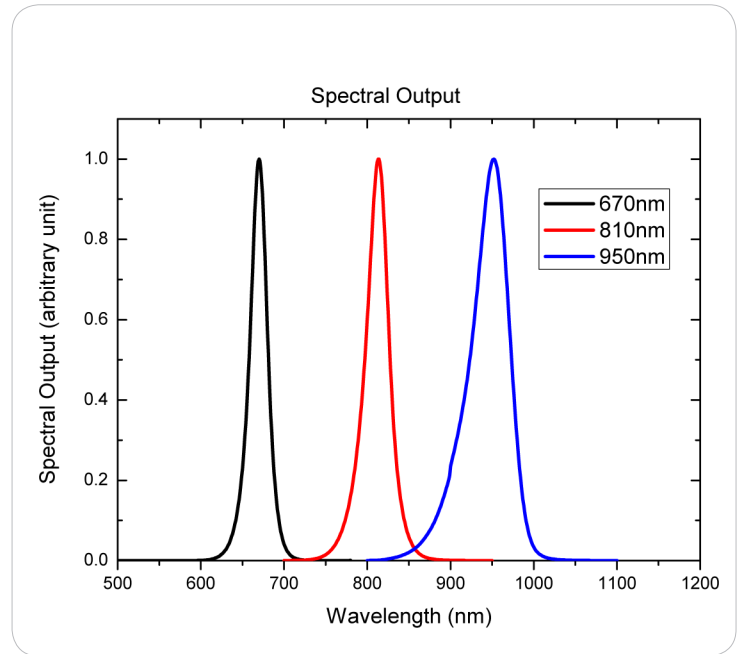
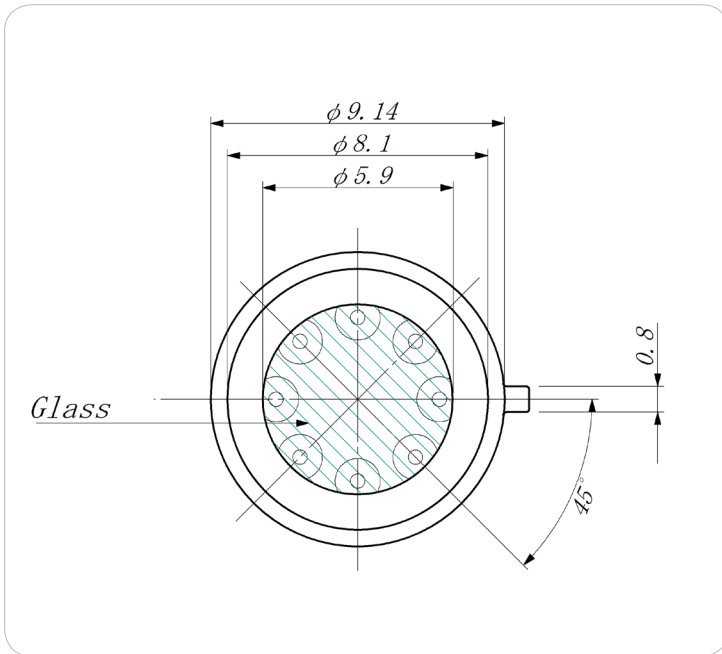
ITEMS	SYMBOL	WAVELENGTH	CONDITIONS	MIN	TYP	MAX	UNIT
Forward Voltage	VF	670	IF=20mA	--	1.8	2.2	V
Forward Voltage	VF	810	IF=20mA	--	1.6	1.9	V
Forward Voltage	VF	950	IF=20mA	--	1.25	1.9	V
Reverse Current	IR	--	VR=5V	--	--	100	µA
Power Output	PO	670	IF=20mA	--	3.1	--	mW
Power Output	PO	810	IF=20mA	--	3.0	--	mW
Power Output	PO	950	IF=20mA	--	7.0	--	mW
Peak Emission Wavelength	λp	670	IF=20mA	--	670	--	nm
Peak Emission Wavelength	λp	810	IF=20mA	--	810	--	nm
Peak Emission Wavelength	λp	950	IF=20mA	--	950	--	nm
Spectral Line Half Width	Δλ	670	IF=20mA	--	25	--	nm
Spectral Line Half Width	Δλ	810	IF=20mA	--	30	--	nm

Electrical & Optical Characteristics (Ta = 25°C) (Continued)

ITEMS	SYMBOL	WAVELENGTH	CONDITIONS	MIN	TYP	MAX	UNIT
Spectral Line Half Width	$\Delta\lambda$	950	IF=20mA	--	45	--	nm



Unit: mm, Tolerance: ±0.2



X-ON Electronics

Largest Supplier of Electrical and Electronic Components

Click to view similar products for [Infrared Emitters](#) category:

Click to view products by [Marktech](#) manufacturer:

Other Similar products are found below :

[LTE-309](#) [LTE-3279K](#) [LTE-4206C](#) [LTE-4208C](#) [EAILP03RDAA6](#) [LTE-2871C](#) [LTE-4238](#) [ASDL-4264-C22](#) [OED-EL305F4C50-HT](#) [OP216-004](#) [LTE-3376](#) [EEL109](#) [HL-PST-1608IR1C-L4](#) [SFH 7016](#) [IN-S126DSHIR](#) [IN-S126ETHIR](#) [IN-S42CTQHIR](#) [IN-S63FTHIR](#) [MHT153IRCT](#) [MHS153IRCT](#) [HIR204C/H0](#) [LTE-209](#) [IR12-21C/TR8](#) [IR17-21C/TR8](#) [IR26-21C/L110/TR8](#) [IR91-21C/TR10](#) [L-53F3BT](#) [WP3A10F3C](#) [LTE-4208](#) [IR42-21C/TR8](#) [HSDL-4261](#) [APA3010F3C-GX](#) [SE2460-140](#) [OP266-905](#) [OP280D](#) [LTE-2871](#) [HIR8323/C16](#) [KP-2012SF4C](#) [KPA-3010F3C](#) [HIR19-21C/L11/TR8](#) [IR19-21C/TR8](#) [IR11-21C/TR8](#) [IR204/H60](#) [HIR204C](#) [WP7113SF6BT-P22](#) [AP2012SF4C-P22](#) [AA3528SF4S](#) [350-00003](#) [AP2012F3C](#) [MTE6000L-HP](#)