

Peak Emission Wavelength: 1300nm (3)

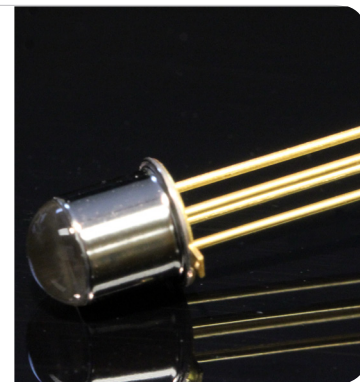
The MTMS1300NN24 is a multi-chip emitter designed for applications requiring same emission sources in a small, densely packaged area. These devices can be custom designed for specific wavelengths and outputs.

FEATURES

- > Hermetically Sealed Metal Can Pacakge
- > High Reliability
- > High Output Power

APPLICATIONS

- > Medical Instrumentation
- > Currency Validation
- > Biofluorescence Analysis



Absolute Maximum Ratings (Ta=25°C)

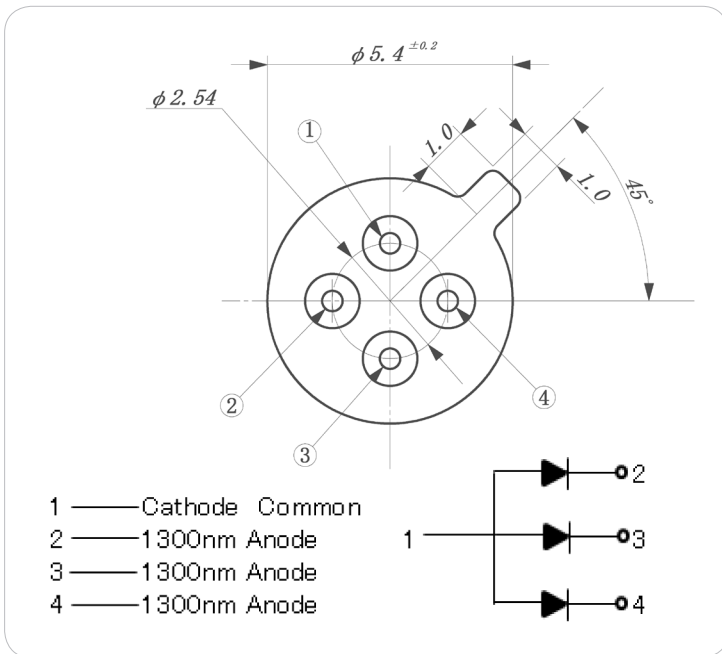
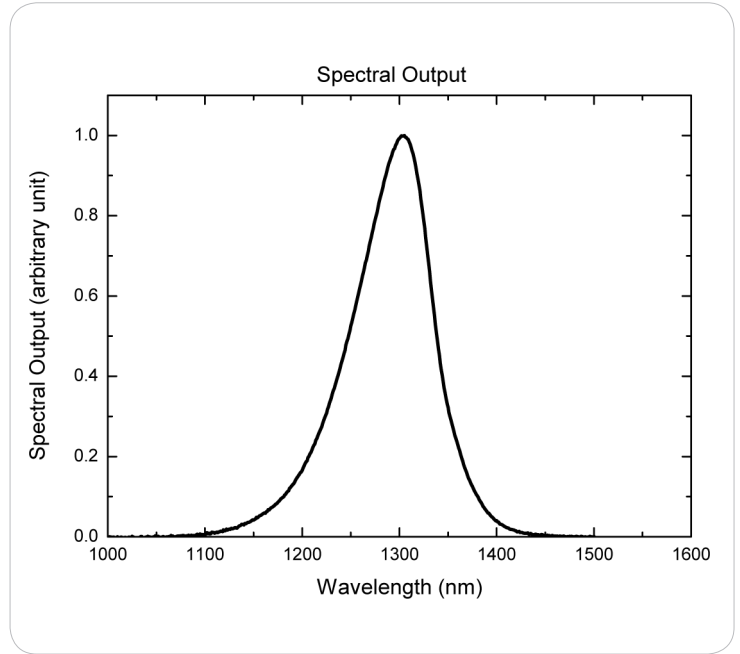
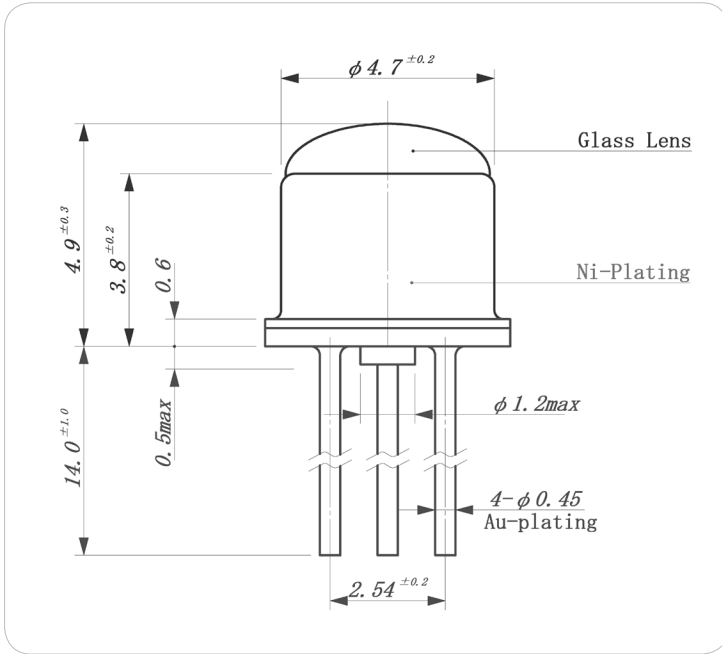


ITEMS	SYMBOL	RATINGS	UNIT
Forward Current (DC)	IF	100	mA
Forward Current (Pulse)*1	IFP	1	A
Reverse Voltage	VR	5	V
Power Dissipation	PD	100	mW
Operating Temperature Range	Topr	-20 ~ +85	°C
Storage Temperature Range	Tstg	-30 ~ +100	°C
Junction Temperature	Tj	100	°C
Lead Soldering Temperature*2	Tls	260	°C

*1: Tw=10μsec, T=10msec. *2: Time 5 Sec max, Position: Up to 3mm from the body.

Electrical & Optical Characteristics (Ta = 25°C)(Per Chip)

ITEMS	SYMBOL	CONDITIONS	MIN	TYP	MAX	UNIT
Power Output	PO	IF=50mA	--	0.9	--	mW
Forward Voltage	VF	IF=50mA	--	0.9	--	V
Reverse Current	IR	VR=5V	--	--	100	μA
Peak Emission Wavelength	λp	IF=50mA	--	1300	--	nm
Spectral Line Half Width	Δλ	IF=50mA	--	70	--	nm



Unit: mm, Tolerance: ±0.2

The information contained herein is subject to change without notice.

2014-01-14

X-ON Electronics

Largest Supplier of Electrical and Electronic Components

Click to view similar products for [marktech](#) manufacturer:

Other Similar products are found below :

[MTAPD-07-014](#) [MTE5066CJ-UR](#) [MTPS8085NJ1](#) [MT3700W3-UV](#) [MTE280F13-UV](#) [MTE5052W-UBG](#) [MTE8560P](#) [MTE8760NJ2](#) [MTG7-001I-XBD00-BL-0Z01](#) [MTD3010N](#) [MTE310H41-UV](#) [MTE340H33-UV](#) [MTAPD-06-014](#) [MTE5057N-UYG](#) [MTMS7700T38](#) [MTPS9067MC](#) [MTE5066WSC-UR](#) [MTAPD-07-010](#) [MTE310H32-UV](#) [MTE9460N1](#) [MTE325F13-UV](#) [MTE6000N](#) [MTE6000L-HP](#) [MTE9460N5](#) [MTAPD-07-012](#) [MTAPD-07-016](#) [MTE325H32-UV](#) [MTE4064PT-UR](#) [MTPS3085MT](#) [MTPS9067WC](#) [MTE5052N-UBG](#) [MTE5900M3A-UY](#) [MTG7-001I-XQB00-CW-L053](#) [MTPS8085PT](#) [MTAPD-07-007](#) [MTE310H33-UV](#) [MTPS8085CP](#) [MTE310H21-UV](#) [MTD1114M3B](#) [MTD6100PT](#) [MTE340F13-UV](#) [MTAPD-07-003](#) [MTE325H41-UV](#) [MTAPD-06-009](#) [MTE3061N-UO](#) [MTPS3085WS](#) [MTAPD-06-006](#) [MTAPD-06-010](#) [MTE9460N2](#) [MTE1300N](#)