

**Sensitivity Wavelength Range: 800nm~2600nm**

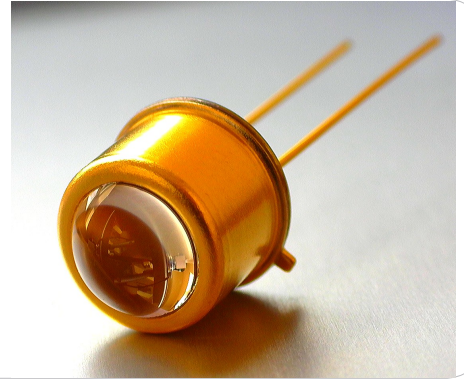
The MTPD260K8-150 from Marktech, a high sensitivity and high reliability product series, is ideally suited for Optical Communication devices. Custom packaging options for this die is also available.

**FEATURES**

- > High Speed Response
- > TO-39 Hermetically Sealed Dome Lens Package
- > Active Area of 1.5mm  $\Phi$  / High Sensitivity
- > Spectral Range 800nm - 2600nm

**APPLICATIONS**

- > High Speed Optical Communications
- > Industrial Controls
- > Gas/Water Analysis
- > LIDAR
- > Medical



**Absolute Maximum Ratings (Ta=25°C)**

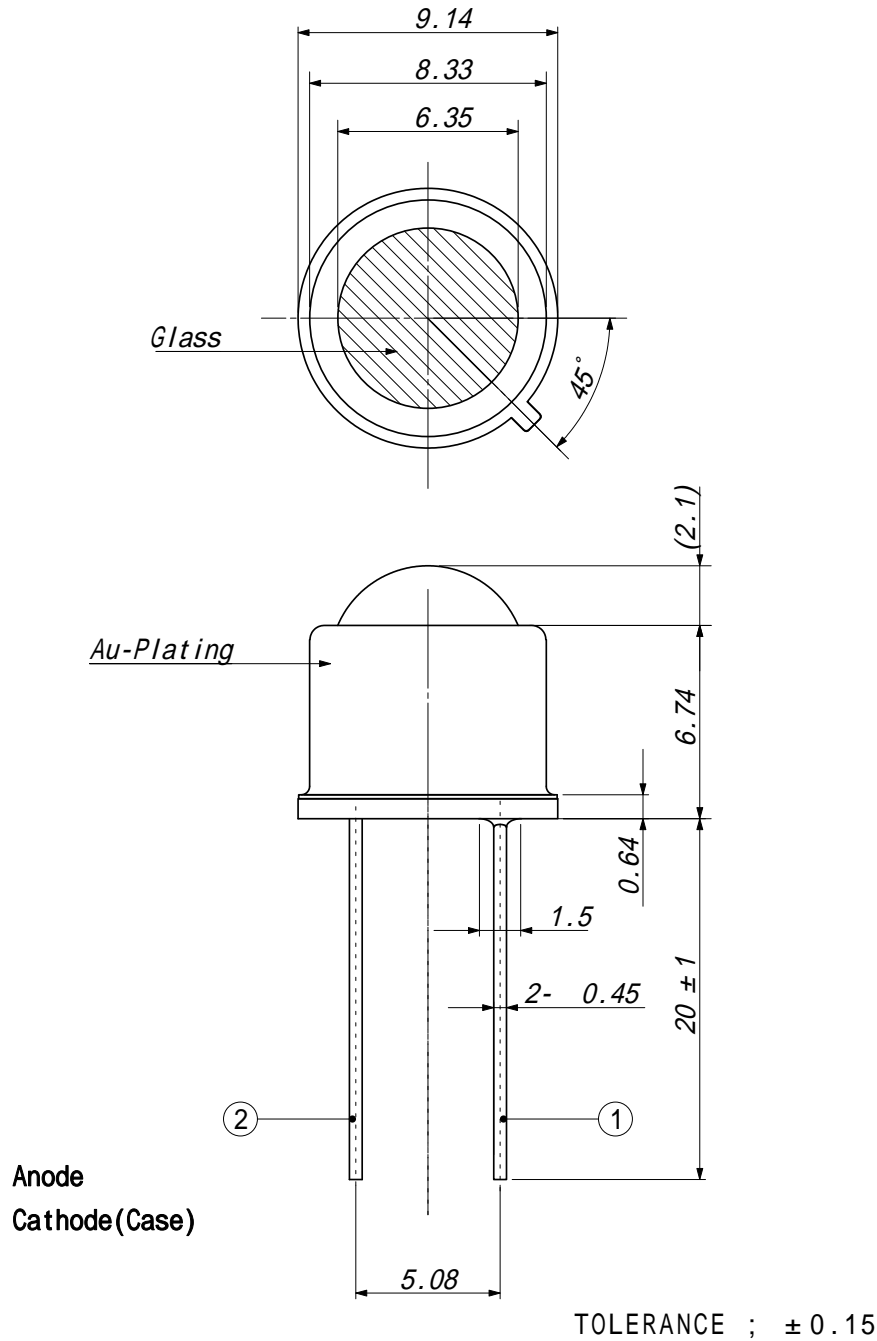


| ITEMS                       | SYMBOL | RATINGS     | UNIT |
|-----------------------------|--------|-------------|------|
| Active Area                 | $\Phi$ | 1.5         | mm   |
| Operating Temperature Range | Topr   | -40 to +85  | °C   |
| Storage Temperature Range   | Tstg   | -40 to +125 | °C   |

**Electrical & Optical Characteristics (Ta = 25°C)**

| ITEMS              | SYMBOL    | CONDITIONS              | MIN | TYP  | MAX  | UNIT |
|--------------------|-----------|-------------------------|-----|------|------|------|
| Breakdown Voltage  | VR        | IR=100uA                | --  | --   | 1    | V    |
| Sensitivity Range  | $\lambda$ | VR=0V                   | 800 | --   | 2600 | nm   |
| Dark Current       | ID        | VR=0V                   | --  | 150  | --   | nA   |
| Dark Current       | ID        | VR=1V                   | --  | 350  | --   | uA   |
| Capacitance        | C         | VR=0V                   | --  | 1500 | --   | pF   |
| Capacitance        | C         | VR=1V                   | --  | 100  | --   | pF   |
| Responsivity       | R         | $\lambda=2400\text{nm}$ | --  | 1.24 | --   | A/W  |
| Shunt Resistance   | RS        | VR=10mV                 | --  | 1.25 | --   | kOhm |
| Quantum Efficiency | QE        | $\lambda=1840\text{nm}$ | --  | 72   | --   | %    |

Package Dimensions

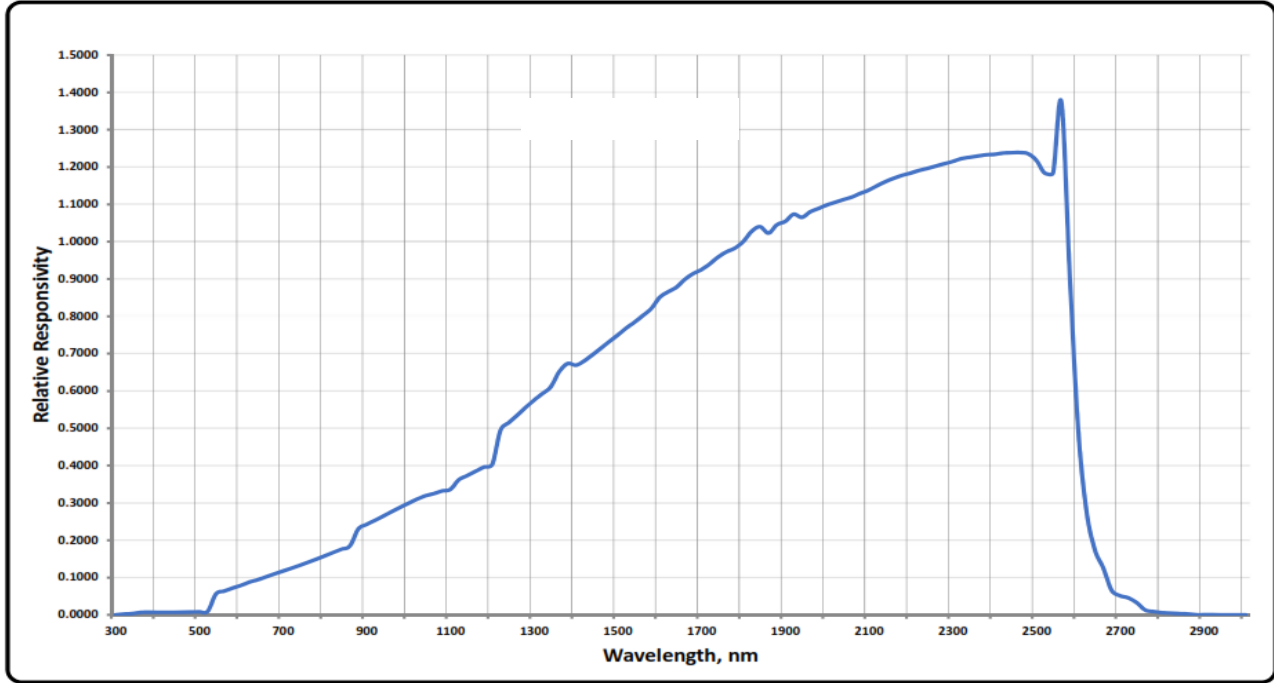


Unit: mm, Tolerance:  $\pm 0.2$

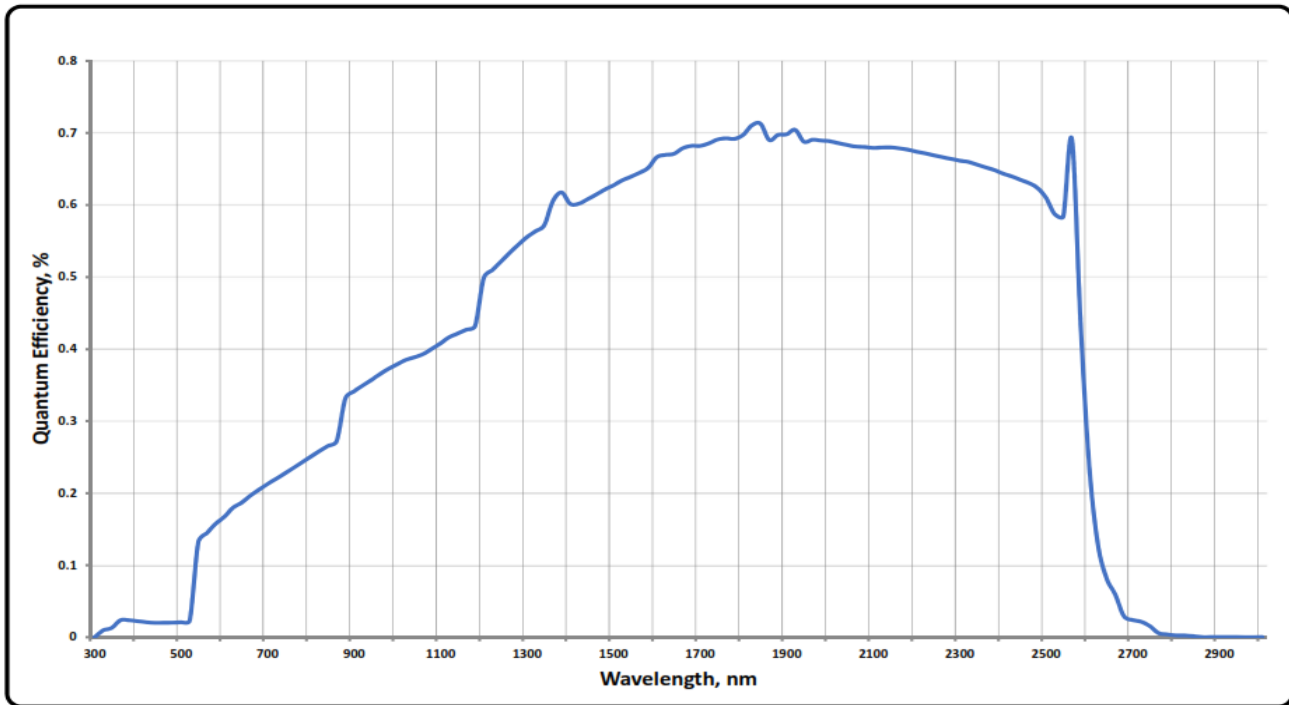
The information contained herein is subject to change without notice.

2022-12-8

### Spectral Responsivity

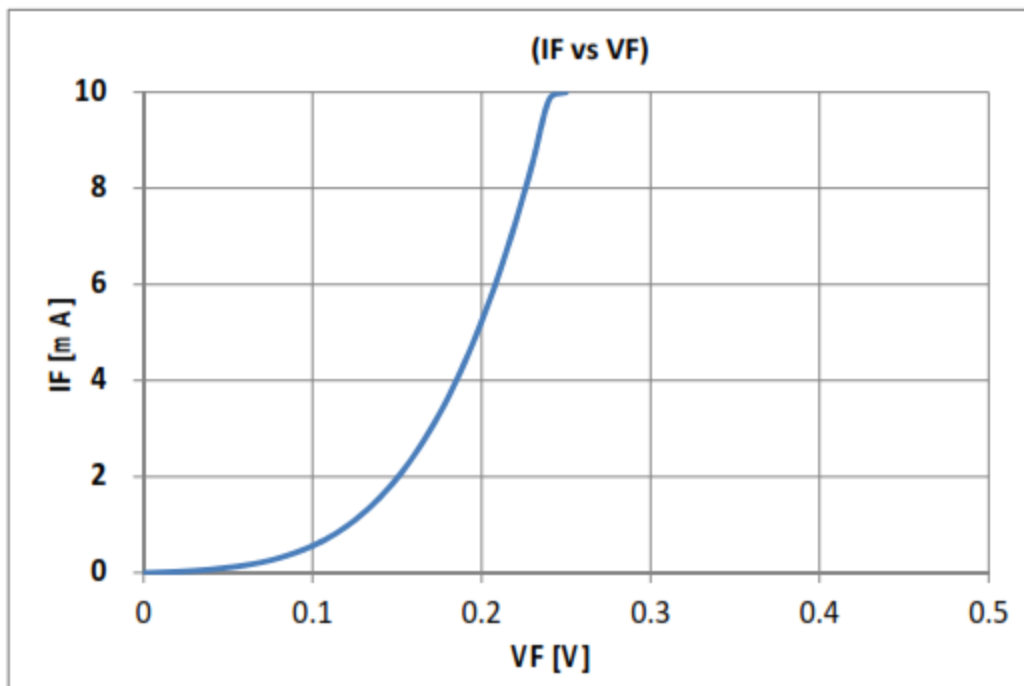
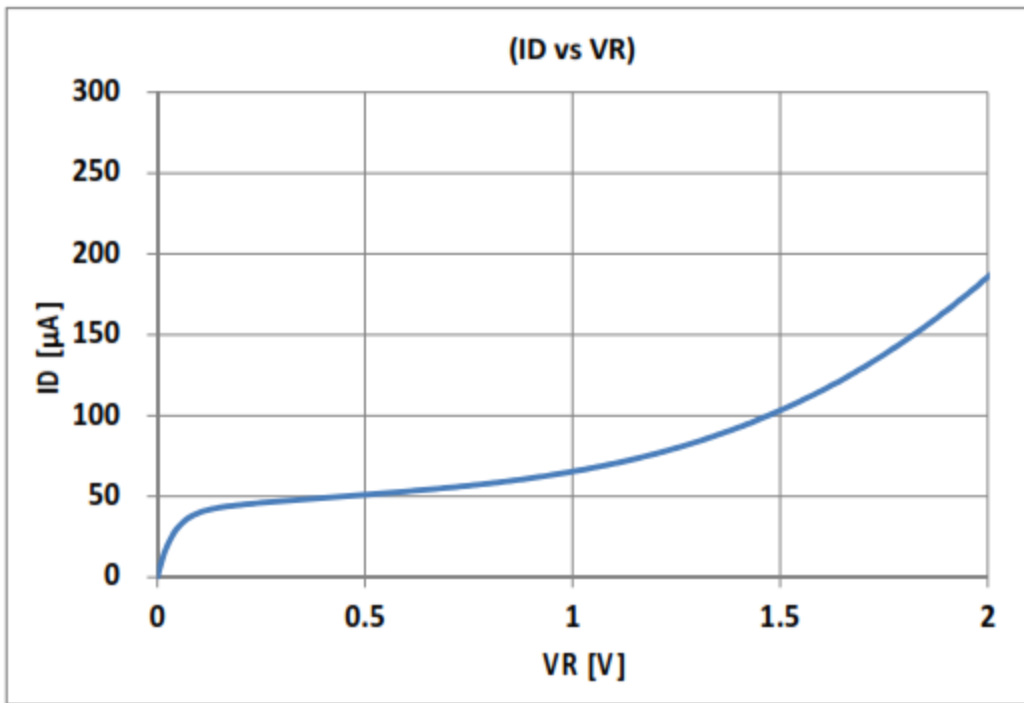


### Quantum Efficiency



The information contained herein is subject to change without notice.

2022-12-8



The information contained herein is subject to change without notice.

2022-12-8

## X-ON Electronics

Largest Supplier of Electrical and Electronic Components

*Click to view similar products for [Photodiodes](#) category:*

*Click to view products by [Marktech](#) manufacturer:*

Other Similar products are found below :

[BPW 34 FAS-Z](#) [67-21SYGC-S349-TR8](#) [HFD3081-108-XBA](#) [BPW 34 S E9601](#) [MICROFJ-60035-TSV-TR](#) [ZSPD-Z3215B-10-Z2](#) [PT908-7B\(BIN4\)](#) [PT204-6B\(BY\)\(K\)](#) [PT928-6C/MA\(XBY\)](#) [PT908-7C\(BIN5\)](#) [PT968-8B\(6-2\)](#) [PT968-8C\(6-1\)](#) [PT204-6B\(BY\)\(J\)](#) [PT968-8B\(6-1\) PD70-01C/TR7\(BY\)](#) [PT968-8C\(6-2\)](#) [XYC-PD3020F90-S3](#) [ZSPD-Z3215C-10A-Z2](#) [ZSPD-Z3227B-10C-Z3](#) [ZSPD-Z3227C-10-Z3](#) [PD15-22C/TR8\(BY\)](#) [ZPD-Z3224B-T26-T15\(YPX\)](#) [ZSPD-Z5042C-A10-Z1](#) [ZSPD053B-S40](#) [PT334-6C\(BY\)\(K\)](#) [PT968-8C\(X1-X4\)XBY](#) [PT334-6B\(BY\)\(K\)](#) [PT928-6C\(5-2\)](#) [PT334-6B\(BY\)\(L\)](#) [PT333-3B\(BY\)\(K\)](#) [PT334-6B\(BY\)\(M\)](#) [XYC-PD2835F30-F1](#) [XYC-PD204B-L1](#) [XYC-PD3A940FC-F1](#) [XYC-PD4335F90-E2](#) [ZSPD808B](#) [ZSPD818B](#) [ZSPD034B-N](#) [ZSPD888C](#) [ZSPD053B-90-S90](#) [PD234-6B/L3](#) [PD70-01C/TR7\(ORI\)](#) [NCD2516RGI1](#) [NCD3220S1](#) [NCD4437S1](#) [NCD1816RGI1](#) [XYC-PD333B-L2](#) [XYC-PD5AB940DC-E9](#) [XL-504PDC](#) [XL-304PDC](#)