

## Peak Emission Wavelength: 650nm

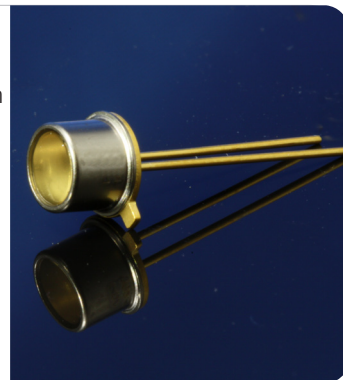
The 650nm Point Source Series is designed for applications requiring high accuracy and precision. Custom package solutions and sorting are available.

### FEATURES

- > Hermetically Sealed TO-18
- > Emitting Window Diameter  $\Phi$  25 $\mu$ m
- > Gold Plated Flat Top Can
- > High Reliability / High Output Power

### APPLICATIONS

- > Optical Sensing
- > Linear & Rotary Encoder
- > Machine Vision / CCD
- > Optical Instruments



## Absolute Maximum Ratings (Ta=25°C)

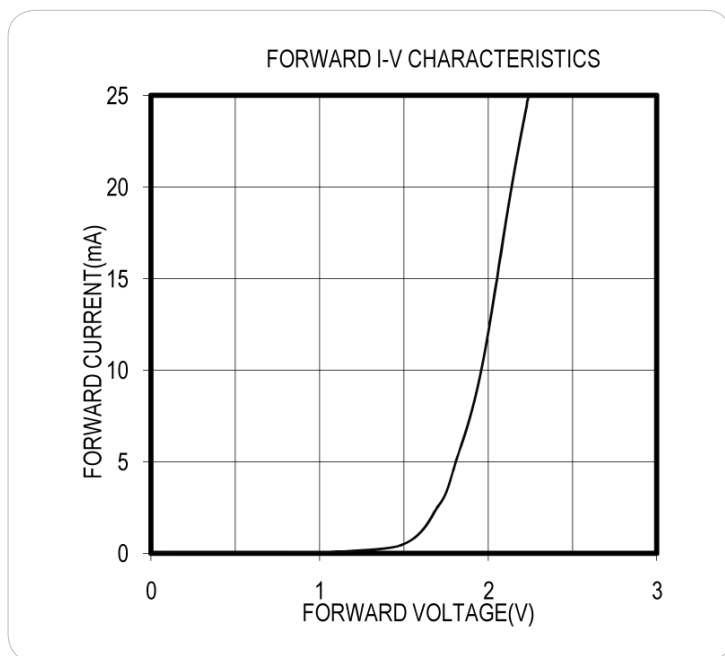
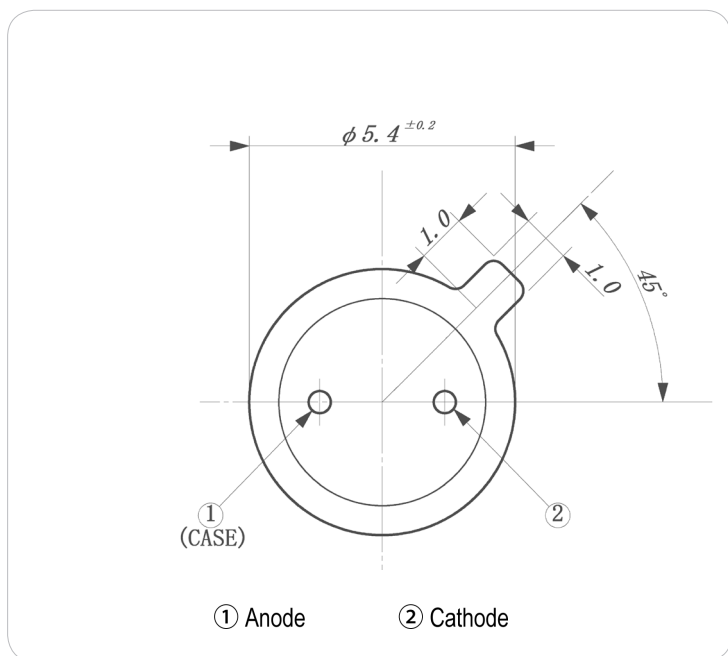
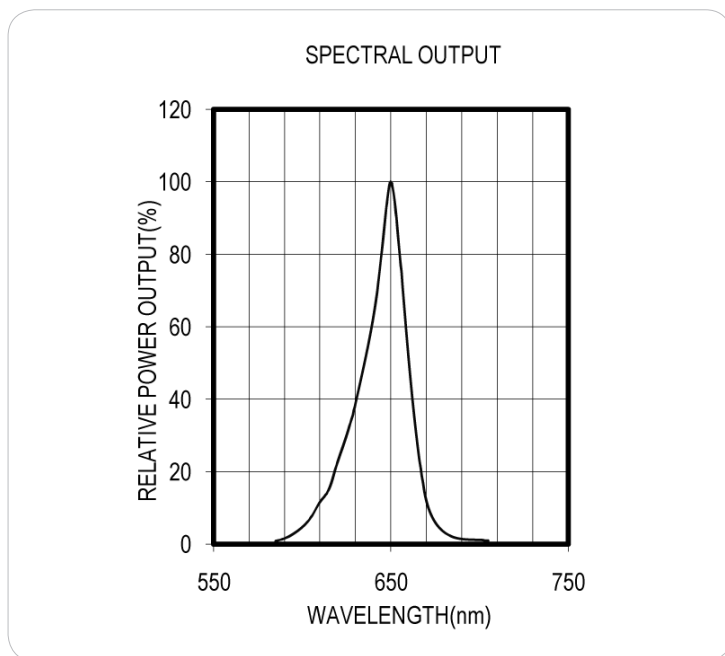
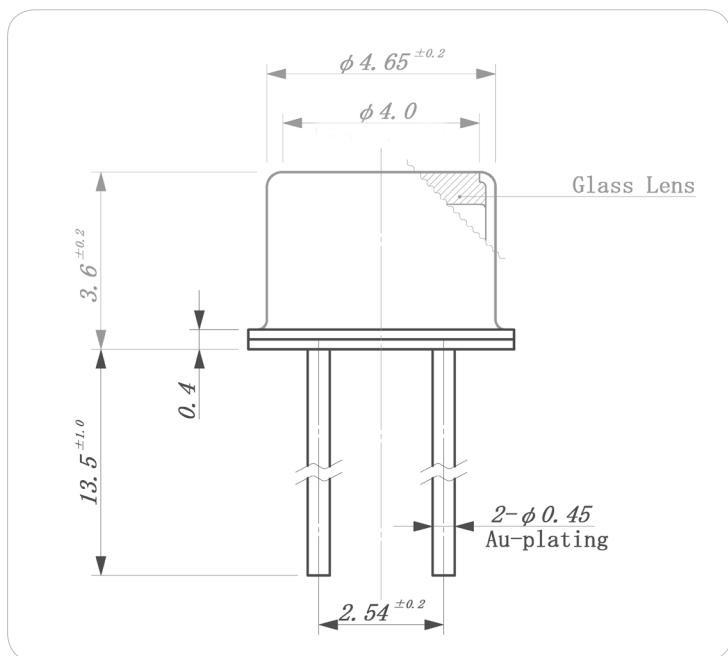


ITEMS	SYMBOL	RATINGS	UNIT
Forward Current (DC)	IF	15	mA
Forward Current (Pulse)*1	IFP	80	mA
Reverse Voltage	VR	5	V
Power Dissipation	PD	30	mW
Operating Temperature Range	Topr	-20 ~ +85	°C
Storage Temperature Range	Tstg	-30 ~ +100	°C
Lead Soldering Temperature*2	Tls	260	°C

\*1: Tw=10 $\mu$ sec, T=10msec; \*2: Time 5 Sec max, Position: Up to 3mm from the body.

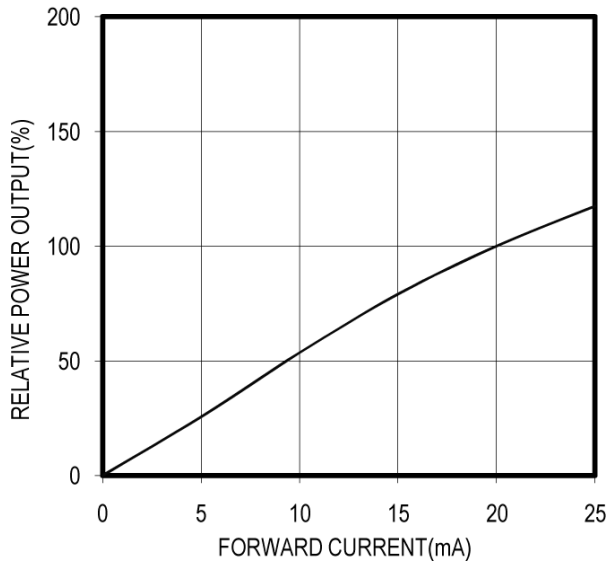
## Electrical & Optical Characteristics (Ta = 25°C)

ITEMS	SYMBOL	CONDITIONS	MIN	TYP	MAX	UNIT
Power Output	PO	IF=5mA	--	70	--	$\mu$ W
Forward Voltage	VF	IF=5mA	--	2.4	2.8	V
Reverse Current	IR	VR=5V	--	--	100	$\mu$ A
Peak Emission Wavelength	$\lambda_p$	IF=5mA	--	650	--	nm
Spectral Line Half Width	$\Delta\lambda$	IF=5mA	--	20	--	nm
Half Intensity Beam Angle	$\Theta$	IF=5mA	--	$\pm 45$	--	deg

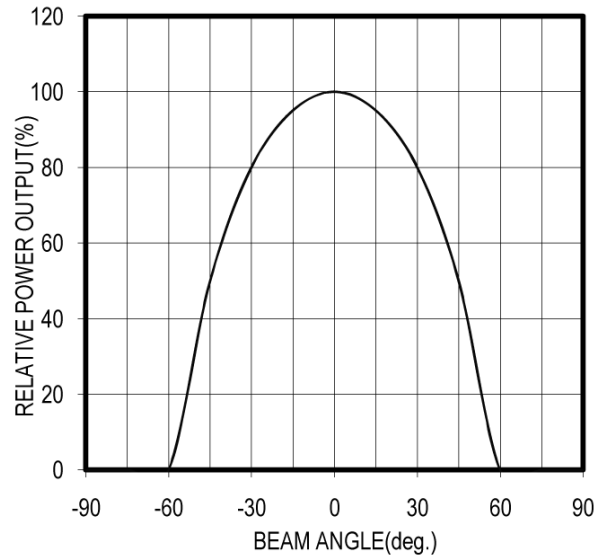


Unit: mm, Tolerance:  $\pm 0.2$

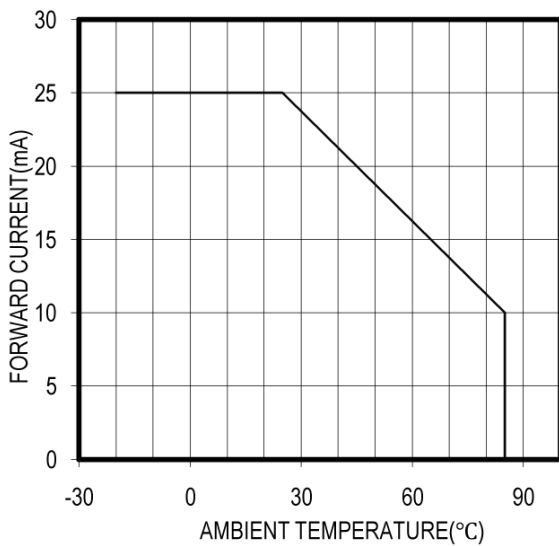
RELATIVE POWER vs FORWARD CURRENT



RADIATION PATTERN



THERMAL DERATING CURVE



The information contained herein is subject to change without notice.

2011-06-01

## X-ON Electronics

Largest Supplier of Electrical and Electronic Components

*Click to view similar products for [marktech](#) manufacturer:*

Other Similar products are found below :

[MTAPD-07-014](#) [MTE5066CJ-UR](#) [MTPS8085NJ1](#) [MT3700W3-UV](#) [MTE280F13-UV](#) [MTE5052W-UBG](#) [MTE8560P](#) [MTE8760NJ2](#) [MTG7-001I-XBD00-BL-0Z01](#) [MTD3010N](#) [MTE310H41-UV](#) [MTE340H33-UV](#) [MTAPD-06-014](#) [MTE5057N-UYG](#) [MTMS7700T38](#) [MTPS9067MC](#) [MTE5066WSC-UR](#) [MTAPD-07-010](#) [MTE310H32-UV](#) [MTE9460N1](#) [MTE325F13-UV](#) [MTE6000N](#) [MTE6000L-HP](#) [MTE9460N5](#) [MTAPD-07-012](#) [MTAPD-07-016](#) [MTE325H32-UV](#) [MTE4064PT-UR](#) [MTPS3085MT](#) [MTPS9067WC](#) [MTE5052N-UBG](#) [MTE5900M3A-UY](#) [MTG7-001I-XQB00-CW-L053](#) [MTPS8085PT](#) [MTAPD-07-007](#) [MTE310H33-UV](#) [MTPS8085CP](#) [MTE310H21-UV](#) [MTD1114M3B](#) [MTD6100PT](#) [MTE340F13-UV](#) [MTAPD-07-003](#) [MTE325H41-UV](#) [MTAPD-06-009](#) [MTE3061N-UO](#) [MTPS3085WS](#) [MTAPD-06-006](#) [MTAPD-06-010](#) [MTE9460N2](#) [MTE1300N](#)