

Peak Emission Wavelength: 1050nm



Description

- Size 1206: 3.2 (L) x 1.6 (W) x 1.2 (H) mm
- Circuit substrate: glass laminated epoxy
- Devices are RoHS conform
- Lead free solderable, soldering pads: gold plated
- Taped in 8 mm blister tape, cathode to transporting perforation
- All devices are sorted into radiant intensity classes
- High radiation intensity types
- Taping: face-up (TU) or face-down (TD) possible

Absolute Maximum Ratings (Ta=25°C)



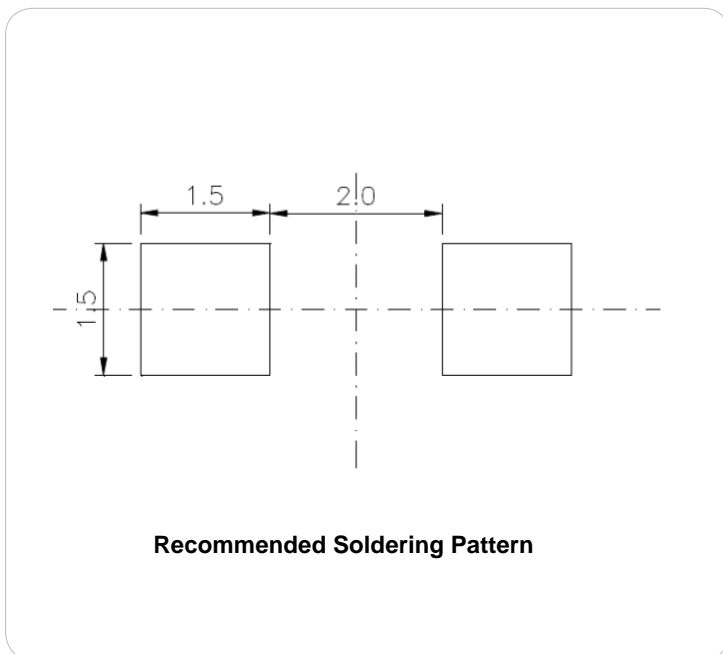
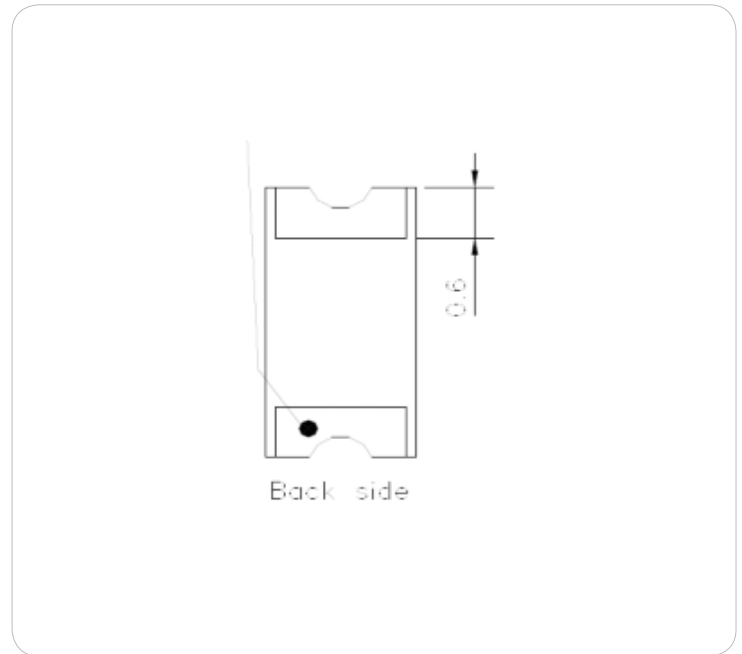
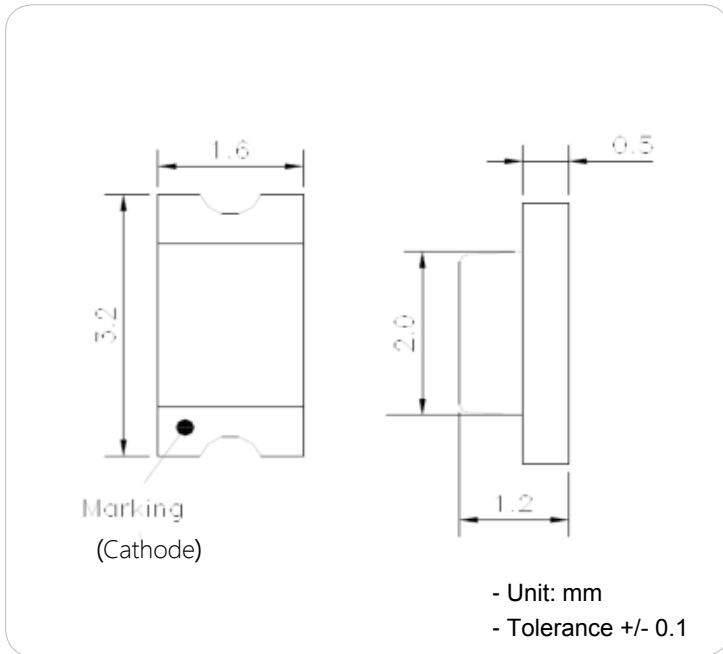
ITEMS	SYMBOL	RATINGS	UNIT
Forward DC Current	If	50	mA
Peak Forward Current *	Ifp	100	mA
Reverse Voltage	Vr	5	V
Reverse Current	Ir	100	uA
Operating Temperature	Top	-40 to +85	°C
Storage Temperature	Tst	-55 to +85	°C
Thermal Resistance	RthJA	450	K/W

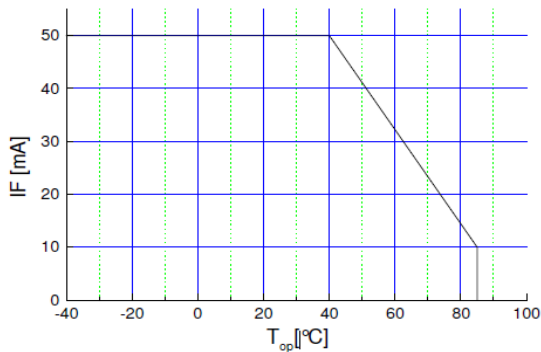
* tp ≤ 100 us, T=1:10

Electrical & Optical Characteristics (Ta = 25°C)

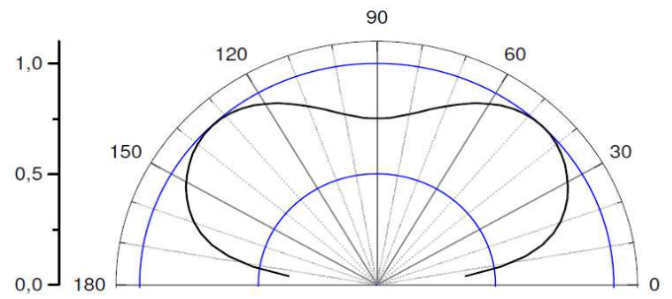
ITEMS	SYMBOL	MIN	TYP	MAX	UNIT
Forward Current	If	--	--	50	mA
Forward Voltage	Vf	--	1.2	1.35	V
Peak Wavelength	λp	1040	1050	1060	nm
Radiant Intensity	Ie	0.7	1.2	--	mW/sr
Spectral Bandwidth	Δλ0.5	--	80	--	nm

Package Dimensions



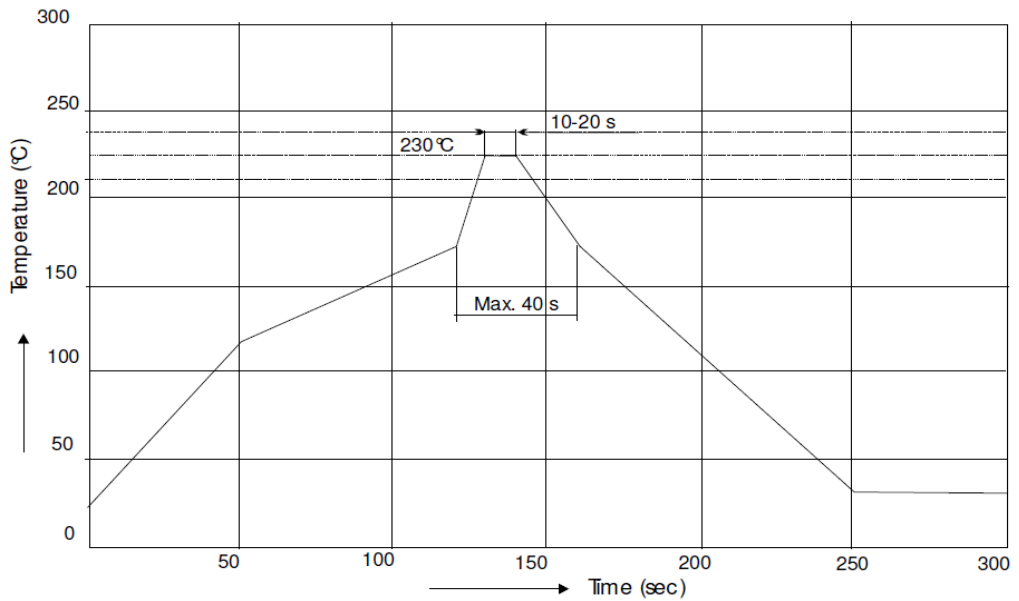


Maximal forward current (DC) characteristic

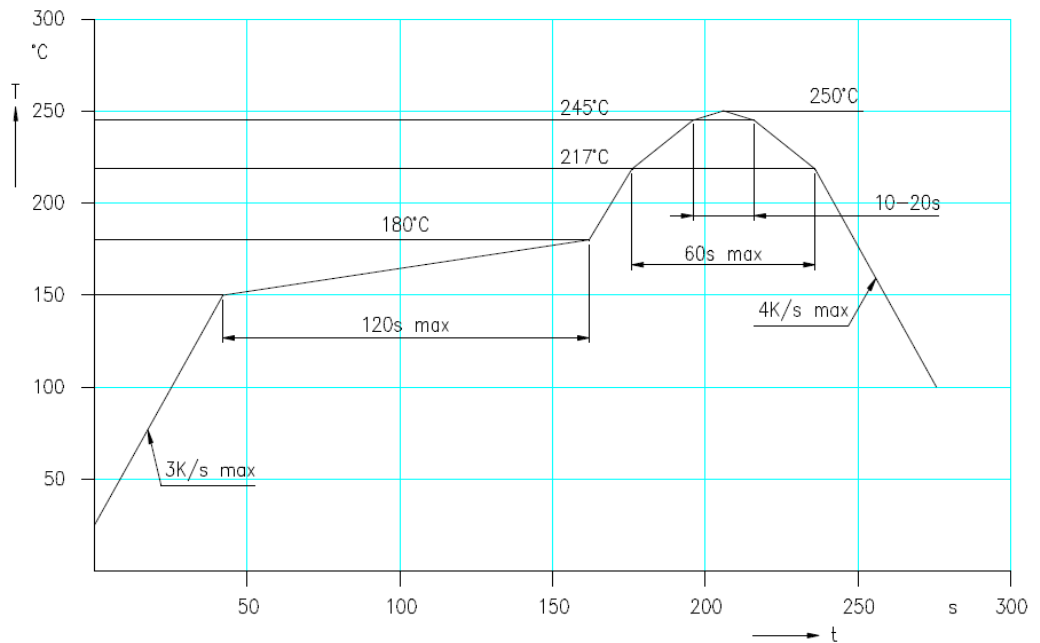


View angle

IR reflow soldering profile



IR reflow soldering profile for lead free soldering



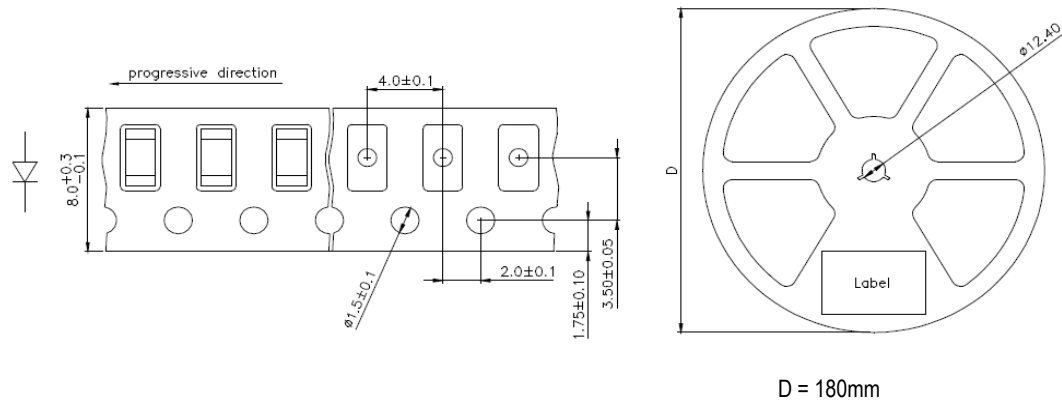
Manual soldering:
max power of iron 25 W / 3 s / 300°C

The information contained herein is subject to change without notice.

2016-03-01

Measured according to CIE 127. All SMD-LEDs are 100% measured and selected on full automated equipment with an accuracy of $\pm 11\%$.

Tape and Reel packing



Tape and Reel - Suffice to the part number	
Ex:	MTXXXXX-T05 = 500 piece reel
Code	Components per reel
T05	500
T1	1000
T2	2000
T25	2500
T3	3000

Packing: The reel is sealed in special plastic bag with integrate ESD protection (MIL - STD 81705) including a silica dry-pack

X-ON Electronics

Largest Supplier of Electrical and Electronic Components

Click to view similar products for [Infrared Emitters](#) category:

Click to view products by [Marktech](#) manufacturer:

Other Similar products are found below :

[LTE-3279K](#) [LTE-4206C](#) [LTE-4208C](#) [IR333C](#) [LTE-2871C](#) [LTE-4238](#) [ASDL-4264-C22](#) [OED-EL305F4C50-HT](#) [LTE-3376](#) [IN-S126ETIR](#)
[IN-S126DSHIR](#) [IN-S126ETHIR](#) [IN-P32ZTHIR](#) [IN-S42CTQHIR](#) [IN-S126BTHIR](#) [IN-S63DTHIR](#) [IN-S85BTHIR](#) [IN-S63FTHIR](#)
[EAIST3535A4](#) [VSMA1085250](#) [VSMA1085400](#) [VSMA1085600](#) [VSMA1094250](#) [VSMA1094400](#) [VSMA1094600](#) [XL-1608HIRC-850](#) [XL-](#)
[2012HIRC-850](#) [LTE-C216-P-W](#) [ZIR-1608C-06A-Z4](#) [ZIR-3528C-18-Z2](#) [ZIR-3216C-19-R15](#) [XL-2012IRC-940](#) [XL-3216IRC-940](#) [XL-](#)
[3216HIRC-850](#) [LTE-C9901](#) [MHT130ZVRCT](#) [DY-IRS302320C/3T](#) [APDA3020F3C-P22](#) [APHD1608F3C-P22](#) [APD2520F3C03-P22](#)
[APHD1608SF4CPRV-P22](#) [APD2520SF4C03-P22](#) [AN1102W-TR](#) [MTE8560MT-BK](#) [MTPS8085WS-WRC](#) [MTSM5010-199-IR](#) [MTE5010-](#)
[995-IR](#) [MTE7110N5](#) [MTE7110D4](#) [MTE5115C2](#)