


TOGGLE SWITCHES

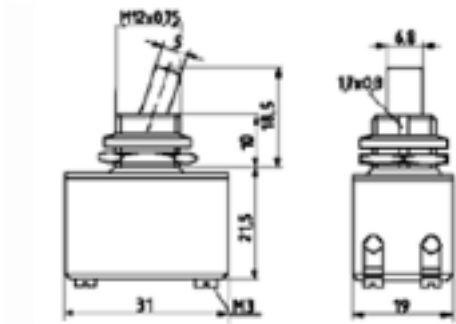
PRODUCT NUMBER 0145.1220



TECHNICAL DATA

Product number	0145.1220	
Actuator color / printing		
Product family	Toggle switches	
Actuation type	direct	
Weight	28.000 g	
ROHS conform	yes	
Switching function	ON / OFF switch (DPST)	
Material fixed contact	Ag	
Number of poles	2 - pole	
connections	Socket terminal, M3	
Mechanical life endurance	5E4	
Rating IEC	6 (4) A 250 V AC 4 A 250 V DC 5E4	
Rating North America	10 A 125 V AC-DC 6 A 250 V AC-DC	
Actuators and additional actuators	lever: PA, black with red point	
Housing description	bracket plate: Duroplast (base) / chromated galvanized steel (bracket plate), with labelling 0 intermediate plate: PA, black base plate: natural threaded socket: CnZn nickel-plated, without knurled nut with round nut	
Connection surface	→ bearing connection	chromated
	→ external connection	chromated
Contact material	Ag	
Rating Code UL	R 45	
Contact type	jump contact (knife contact)	
Approval marks	CSA / UL / ENEC 05	
Suitable for appliances of protection class	II	
Additional labeling	year/week of manuf. acc. to DIN EN 60062	
Type of fastening	central fastening M12 x 0.75	
Degree of pollution	3	

Stock version

PRODUCT IMAGE**DRAWINGS**

Technical changes reserved. Dimensions are not binding.
Detailed specifications available on request.

Marquardt Verwaltungs-GmbH · Niederlassung Schaffhausen · Ernst Müller-Str. 7 · Postfach 952 · CH-8201
Schaffhausen · Switzerland

Phone: +41 (52) 644 30 00 · Fax: +41 (52) 644 30 60 · www.marquardt.ch · marquardt@marquardt.ch

X-ON Electronics

Largest Supplier of Electrical and Electronic Components

Click to view similar products for [marquardt](#) manufacturer:

Other Similar products are found below :

[1661.0201-00](#) [2420.0101](#) [01050.5305-00](#) [01802.1108-02](#) [1264.3501](#) [1921.1101](#) [1045.2702](#) [1050.0151](#) [0320.0302](#) [3250.0590](#) [1800.1108](#)
[01050.3102](#) [01835.3102-01](#) [2709.5101](#) [1552.3112](#) [1804.1102](#) [1839.1407](#) [840.000.071](#) [1824.1101](#) [1805.7109-03](#) [1263.0201](#) [1251.0106](#)
[1363.0101](#) [1808.6302-00](#) [01805.7104](#) [1352.0101](#) [1935.3133](#) [828.000.021](#) [1269.0201](#) [02410.0401-02](#) [1010.0101](#) [1837.1118](#) [02410.0301-02](#)
[02420.0101-00](#) [1005.0101](#) [2410.1001](#) [1552.4606](#) [2410.0301](#) [2410.0101](#) [01881.1104-01](#) [1832.8112](#) [1838.1509-01](#) [1010.7254](#) [01004.1002-02](#)
[825.003.011](#) [1230.0501](#) [5000.0103](#) [09033.0400-00](#) [0100.1201](#) [0132.0101](#)