



Marquardt Verwaltungs-GmbH  
 Niederlassung Schaffhausen  
 Ernst Müller-Str. 7  
 Postfach 952  
 CH-8201 Schaffhausen  
 Switzerland

Phone: +41 (52) 644 30 00  
 Fax: +41 (52) 644 30 60  
 Net: www.marquardt.ch  
 E-mail: marquardt@marquardt.ch

### Technical data

<b>Product number</b>	<b>1246.3201</b>
Business unit	Power tool switches
Product Manager	Hügel
Product family	Pushbutton switches
EW category	on/off switch
Actuation type	indirect
Packing unit	250
Packing type	in box
Weight	20.574 g
ROHS conform	yes
Output	catalog before 2009
Switching function	Normally open contact (DPNO)
Material fixed contact	AgNi
Number of poles	2 - pole
connections	motor side: Quick-connect terminal, 2 x 4.8 x 0.8 additional connection: Quick-connect terminal, 2 x 2.8 x 0.8 mains side: Screw connection, 2 x M3.5
Mechanical life endurance	1E5
Rating IEC	8 (8) A 250 V AC 5E4
Rating North America	14 A 125 V AC 8 A 125 V DC 8 A 250 V AC
Protection type	Connection IP 40 Actuator IP 40
Actuators and additional actuators	PA glass fiber-reinforced, natural
Housing description	protective cap: Desmopan, white natural base plate: PA glass fiber-reinforced, natural, with strip
Contact material	AgNi
Contact distance	≥ 3 mm
Rating Code UL	R 139
Contact type	jump contact
Operating force	18 ±3 N
Approval marks	CSA / UL / ENEC 05
Suitable for appliances of protection class	II
Additional labeling	year/week of manuf. acc. to DIN EN 60062
Additional labeling packing	760400001-01
Type of fastening	fastening by insertion
Degree of pollution	3

Betätigerhub 5.5mm muss gewährleistet sein

$F_1$  = Betätigungskraft 18 ±3N

$F_2$  = Rückstellkraft ≥4N

Betätiger in Kraftrichtung  $F_1$  bis max 300N belastbar

Betätigervorspannung max 0.5mm zulässig

RECOMMENDATIONS FOR SWITCH MOUNTING:

TRAVEL OF ACTUATOR >5.5MM HAS TO BE SAVED

$F_1$  = ACTUATING FORCE 18 ±3N

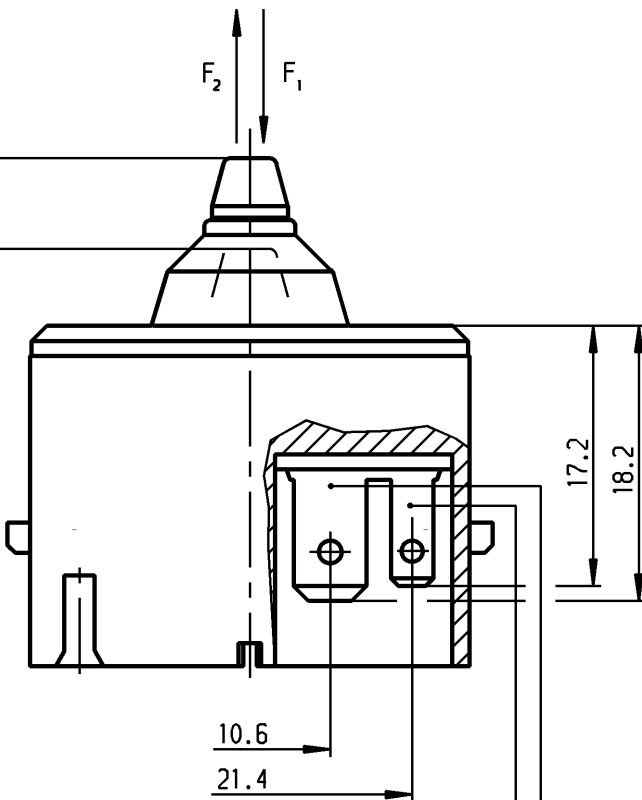
$F_2$  = RESET FORCE ≥4N

MAX. LOAD ON ACTUATOR  $F_1$  ≤300N

PRELOAD ON ACTUATING SYSTEM MAX 0.5MM PERMITTED

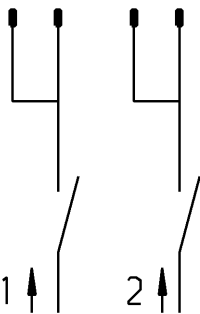
Stößelhub  
RAM STROKE

$F_2$   
 $F_1$

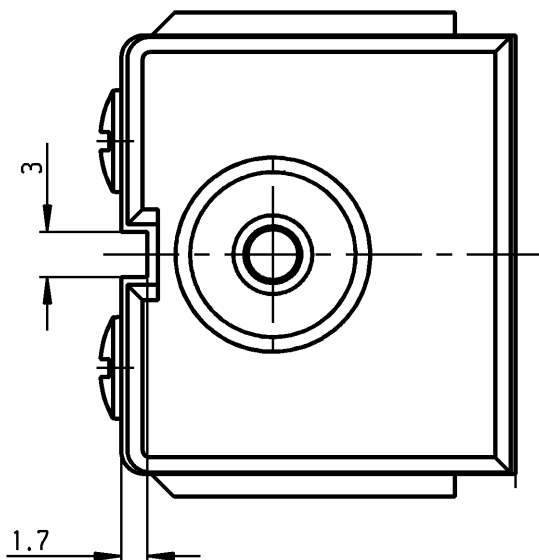
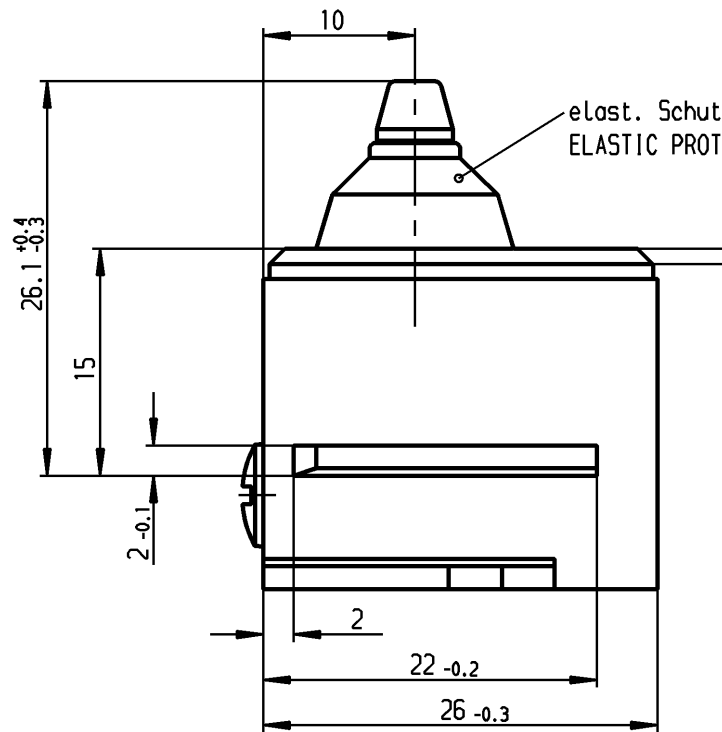
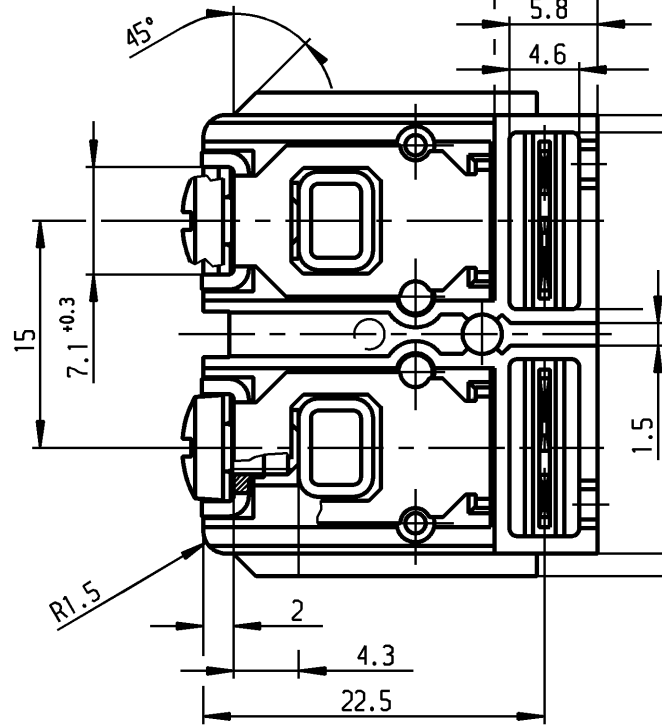


Flachstecker DIN 46244-2.8-0.8  
PLUG-IN-TERMINAL DIN 1791 2.8-0.8

Flachstecker DIN 46244-4.8-0.8  
PLUG-IN-TERMINAL DIN 1791 4.8-0.8



Schließer 2-polig  
DPNO



1

2

3

4

## X-ON Electronics

Largest Supplier of Electrical and Electronic Components

*Click to view similar products for [Basic / Snap Action Switches](#) category:*

*Click to view products by [Marquardt](#) manufacturer:*

Other Similar products are found below :

[5SM901-S12](#) [5SM9-S12N195](#) [602EN532](#) [602EN535-RB](#) [602HE5-RB1](#) [604HE162](#) [604HE223-6B](#) [624HE17-RB](#) [6HM82](#) [6HM89](#) [6SE1](#)  
[6SX1-H58](#) [70500216](#) [70599106](#) [MBD5B1](#) [MBH2731](#) [73-316-0012](#) [EXD-AR20](#) [79211923](#) [79218589](#) [7AS12](#)  
[MIL30126AB6BBMD4A12XAU](#) [ML-1155](#) [ML-1376](#) [831010C3.0](#) [831090C2.EL](#) [83131904](#) [84212012](#) [8AS239](#) [8HM73-3](#) [8SX26-H33](#)  
[914CE1-6G](#) [PL-100](#) [11SM1077-H4](#) [11SM1077-H58](#) [11SM1-TN107](#) [11SM405](#) [11SM8423-H2](#) [11SX37-T](#) [11SX48-H58](#) [11SM2442-T](#)  
[11SM76-T](#) [11SM77-H58](#) [11SM77-T](#) [11SM863-T](#) [11SM866](#) [A7CN-1M-1-LEFT](#) [A831700C7.0](#) [121EN188-R](#) [1245.0120](#)