

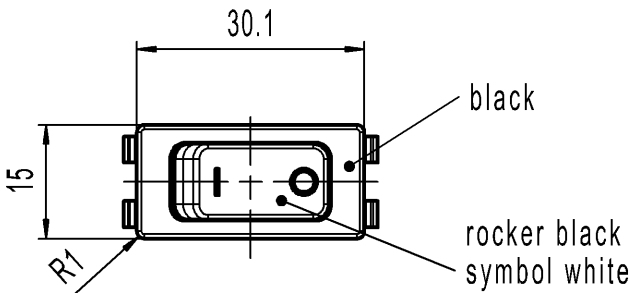
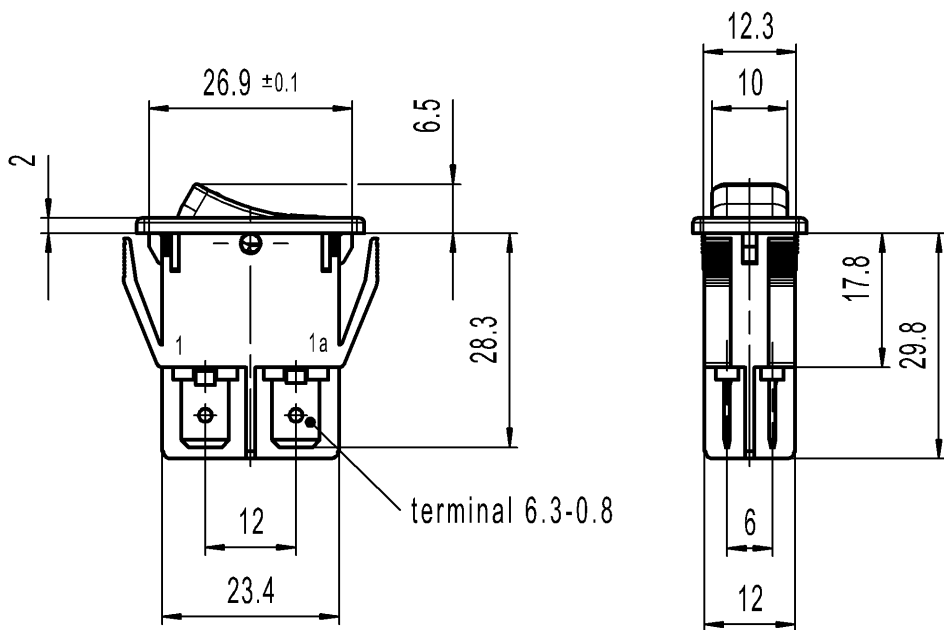
CONFIDENTIAL

VERTRAULICH

THIS DRAWING IS THE EXCLUSIVE PROPERTY OF MARQUARDT. WITHOUT THEIR CONSENT IT MAY NOT BE REPRODUCED OR GIVEN TO THIRD PARTIES.

Alle Rechte bei Marquardt, auch fuer den Fall von Schutzrechtsanmeldungen. Jede Verfertigungsbefugnis, wie Kopier- und Weitergaberecht, bei uns.

1	2	3	4
recommended cut-out for snap-in fixing (edge opposite to snap-in direction)	wall thickness	length of cut-out	width of cut-out
	0.8 to 5.0	27.2 ±0.1	12.2+0.2

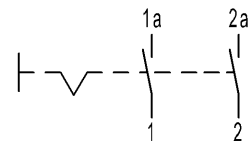


Marking

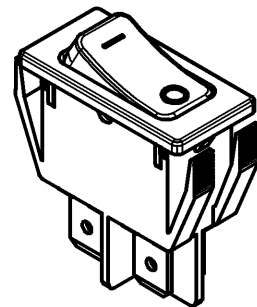
155..
 16 (4) / 250 ~ T100/55 T100
 10 (4) / 250 ~ 5E4
 5/100A 250V ~



16A 125-250V AC
 1 HP 125V AC
 2 HP 250V AC
 R38



DPST



Code of manufacture:
place/year/week

Suitable for appliances of class II

-	-	-	1552.3104-XX																																			
Figure	Type	Customer No.	Art.No.-PI																																			
Shape and location	Angle ± 2 °	Sheet 01	Ident. K																																			
	Edge tolerance	Format DIN A4	Document number 15523104																																			
	<table border="1"> <thead> <tr> <th colspan="2">Length</th> <th colspan="2">Radii</th> </tr> <tr> <th>>0-6</th> <th>± 0.2</th> <th>>0-6</th> <th>± 0.2</th> </tr> </thead> <tbody> <tr> <td>>6-15</td> <td>± 0.4</td> <td>>6-15</td> <td>±</td> </tr> <tr> <td>>15-30</td> <td>± 0.4</td> <td>>15-30</td> <td>±</td> </tr> <tr> <td>>30-70</td> <td>± 0.6</td> <td>>30-200</td> <td>±</td> </tr> <tr> <td>>70-120</td> <td>±</td> <td></td> <td>±</td> </tr> <tr> <td>>120-200</td> <td>±</td> <td></td> <td>±</td> </tr> <tr> <td></td> <td>±</td> <td></td> <td>±</td> </tr> <tr> <td></td> <td>±</td> <td></td> <td>±</td> </tr> </tbody> </table>	Length		Radii		>0-6	± 0.2	>0-6	± 0.2	>6-15	± 0.4	>6-15	±	>15-30	± 0.4	>15-30	±	>30-70	± 0.6	>30-200	±	>70-120	±		±	>120-200	±		±		±		±		±		±	Index e
		Length		Radii																																		
>0-6	± 0.2	>0-6	± 0.2																																			
>6-15	± 0.4	>6-15	±																																			
>15-30	± 0.4	>15-30	±																																			
>30-70	± 0.6	>30-200	±																																			
>70-120	±		±																																			
>120-200	±		±																																			
	±		±																																			
	±		±																																			
e	134536	2020-11-02	MATHPATIR																																			
d	69572	2010-09-30	HHE																																			
b	23635	1995-11-10	RS																																			
a	21323	1992-04-22	MUT																																			
Index	MEC-No.	Date (YYYY-MM-DD)	Edited by																																			
<table border="1"> <tr> <td>Projection</td> <td>Scale</td> </tr> <tr> <td></td> <td>1:1</td> </tr> </table>		Projection	Scale		1:1	All dimensions are in millimetres System NX V11.0 Replacement of Zg.gl.Nr.v.09.01.1990																																
Projection	Scale																																					
	1:1																																					
			Appliance Switch																																			

X-ON Electronics

Largest Supplier of Electrical and Electronic Components

Click to view similar products for [Rocker Switches](#) category:

Click to view products by [Marquardt](#) manufacturer:

Other Similar products are found below :

[LTI LA6E-1S-WH-RC-FN12VXCR1](#) [6-1571986-9](#) [8007K26N324V52](#) [8055K32Z7V](#) [8055K52Z7V](#) [8138K20E6M50](#) [84206L](#) [84312LX](#)
[PREDD5-07F-BB0GW](#) [999-16716-002](#) [999-16716-003](#) [999-16716-004](#) [A101J1V3Q004](#) [A101J2ZQ004](#) [A101J4ZQ004](#) [A101J51CB0004](#)
[A103J1ZQ004](#) [A201J1AQ004](#) [A201J3ZB004](#) [A201J50ZQ004](#) [A203J51ZQ0004](#) [A435S1YZQ](#) [H8500XBBBBBL-A](#) [H8653VBBG2577W](#)
[HB130CHNWWNAAC](#) [R13112ABB-602W](#) [1251.0303](#) [AE205J60V3B004](#) [1352.0107](#) [1571099-3](#) [1571987-4](#) [1571987-5](#) [1571989-7](#)
[1571988-5](#) [B123J77V7B2](#) [B226J50W4Q22P](#) [B433J37ZQ22M](#) [160212E](#) [1634200-7](#) [1801.1164](#) [1839.1502](#) [PANEL-PLUG-VHP-BLACK](#)
[PANEL-PLUG-VHP-WT](#) [K1ABBSCADN](#) [KG312A2DXD246X](#) [250011E714](#) [2600HM11E](#) [2600R21E](#) [2637LH/2A7/122048L0](#)
[2639LH/2A7/127000L0](#)