

CONFIDENTIAL

VERTRAULICH

THIS DRAWING IS THE EXCLUSIVE PROPERTY OF MARQUARDT. WITHOUT THEIR CONSENT IT MAY NOT BE REPRODUCED OR GIVEN TO THIRD PARTIES.

Alle Rechte bei Marquardt, auch fuer den Fall von Schutzrechtsanmeldungen. Jede Veruegungsbefugnis, wie Kopier- und Weitergaberecht, bei uns.

1	2	3	4
recommended cut-out for snap-in fixing (edge opposite to snap-in direction)	wall thickness	length of cut-out	width of cut-out
	0.8 to 5.0	27.2 ±0.1	12.2±0.2

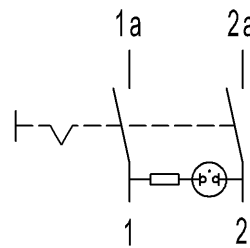
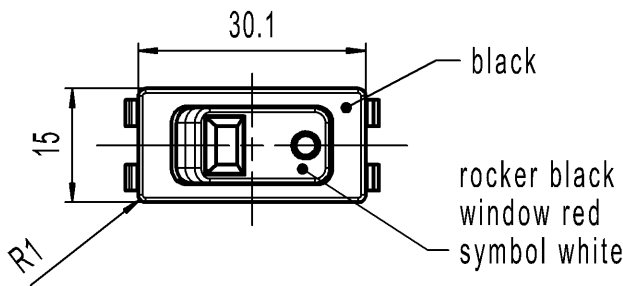
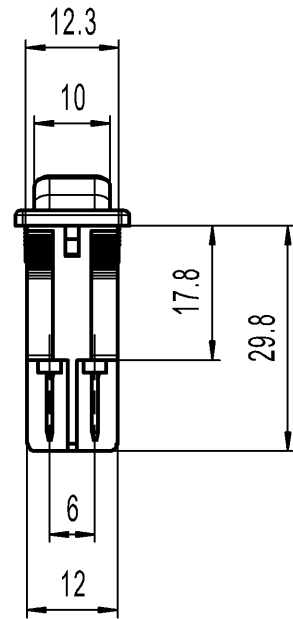
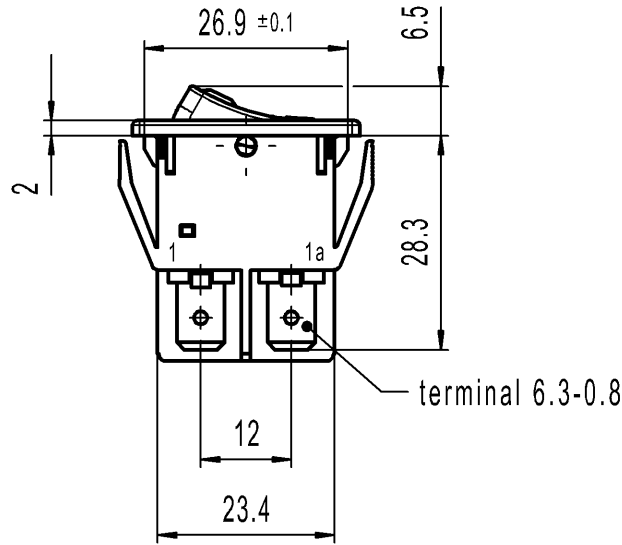
A

B

C

D

E



Marking

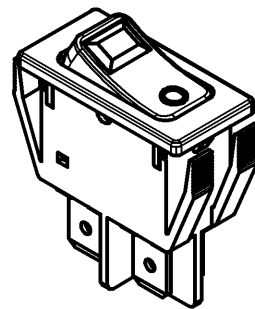
Ⓜ
1555.
16A 125V AC
1 HP
R144



DPST

Code of manufacture:
place/year/week

Neon lamp with R_v for 115V AC
Suitable for appliances of class II



-	-	-	1555.3120-XX																																				
Figure	Type	Customer No.	Art.No.-PI																																				
Shape and location	Angle ± 2°	Sheet 01	Ident. K																																				
	Edge tolerance	Format DIN A4	Document number 15553120																																				
⊙ ≡	<table border="1"> <tr> <th colspan="2">Length</th> <th colspan="2">Radii</th> </tr> <tr> <td>0-6</td> <td>± 0.2</td> <td>0-6</td> <td>±</td> </tr> <tr> <td>>6-15</td> <td>± 0.4</td> <td>>6-15</td> <td>±</td> </tr> <tr> <td>>15-30</td> <td>± 0.4</td> <td>>15-30</td> <td>±</td> </tr> <tr> <td>>30-70</td> <td>± 0.6</td> <td>>30-200</td> <td>±</td> </tr> <tr> <td>>70-120</td> <td>±</td> <td></td> <td>±</td> </tr> <tr> <td>>120-200</td> <td>±</td> <td></td> <td>±</td> </tr> <tr> <td></td> <td>±</td> <td></td> <td>±</td> </tr> <tr> <td></td> <td>±</td> <td></td> <td>±</td> </tr> </table>	Length		Radii		0-6	± 0.2	0-6	±	>6-15	± 0.4	>6-15	±	>15-30	± 0.4	>15-30	±	>30-70	± 0.6	>30-200	±	>70-120	±		±	>120-200	±		±		±		±		±		±	Projection	Index e
		Length		Radii																																			
0-6	± 0.2	0-6	±																																				
>6-15	± 0.4	>6-15	±																																				
>15-30	± 0.4	>15-30	±																																				
>30-70	± 0.6	>30-200	±																																				
>70-120	±		±																																				
>120-200	±		±																																				
	±		±																																				
	±		±																																				
		Scale 1:1	Appliance Switch																																				
e	134536	All dimensions are in millimetres																																					
d	69572	System NX V11.0																																					
c	23635	Replacement of																																					
b	21323	Zg.gl.Nr.v.21.04.1992																																					
Index	MEC-No.	Date (YYYY-MM-DD)	Edited by																																				



X-ON Electronics

Largest Supplier of Electrical and Electronic Components

Click to view similar products for [Rocker Switches](#) category:

Click to view products by [Marquardt](#) manufacturer:

Other Similar products are found below :

[LTI LA6E-1S-WH-RC-FN12VXCR1](#) [6-1571986-9](#) [8007K26N324V52](#) [8055K23Z7V](#) [8055K32Z7V](#) [8055K52Z7V](#) [8138K20E6M50](#) [84206L](#)
[84312LX](#) [PREDD5-07F-BB0GW](#) [999-16716-002](#) [999-16716-003](#) [999-16716-004](#) [A101J1V3Q004](#) [A101J2ZQ004](#) [A101J4ZQ004](#)
[A101J51CB0004](#) [A103J1ZQ004](#) [A201J1AQ004](#) [A201J3ZB004](#) [A201J50ZQ004](#) [A203J51ZQ0004](#) [A435S1YZQ](#) [H8500XBBBBL-A](#)
[H8653VBBG2577W](#) [HB130CHNWWNAAC](#) [R13112ABB-602W](#) [1251.0303](#) [AE205J60V3B004](#) [1352.0107](#) [1571099-3](#) [1571987-4](#)
[1571987-5](#) [1571989-7](#) [1571988-5](#) [B123J77V7B2](#) [B226J50W4Q22P](#) [B433J37ZQ22M](#) [160212E](#) [1634200-7](#) [1801.1164](#) [1839.1502](#) [PANEL-](#)
[PLUG-VHP-BLACK](#) [PANEL-PLUG-VHP-WT](#) [K1ABBSCADN](#) [KG312A2DXD246X](#) [250011E714](#) [2600HM11E](#) [2600R21E](#) [260413E](#)