

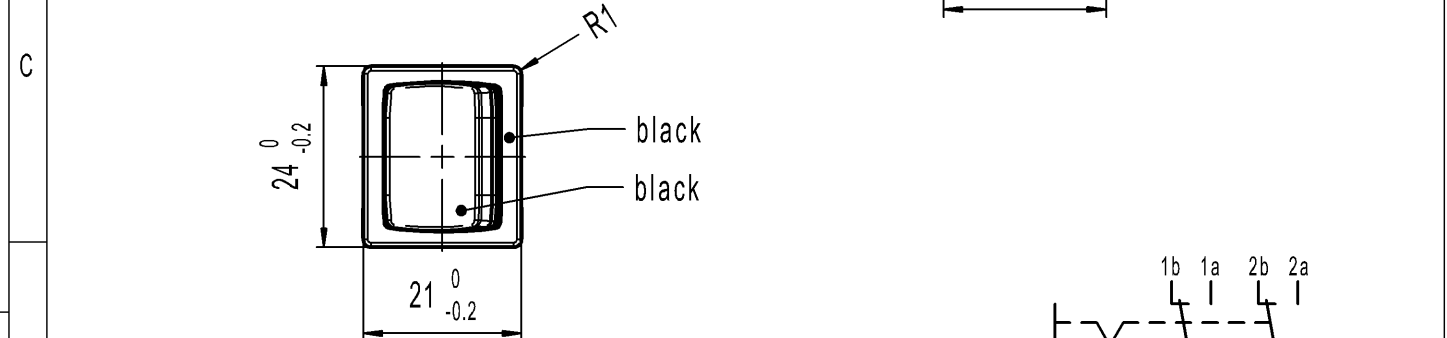
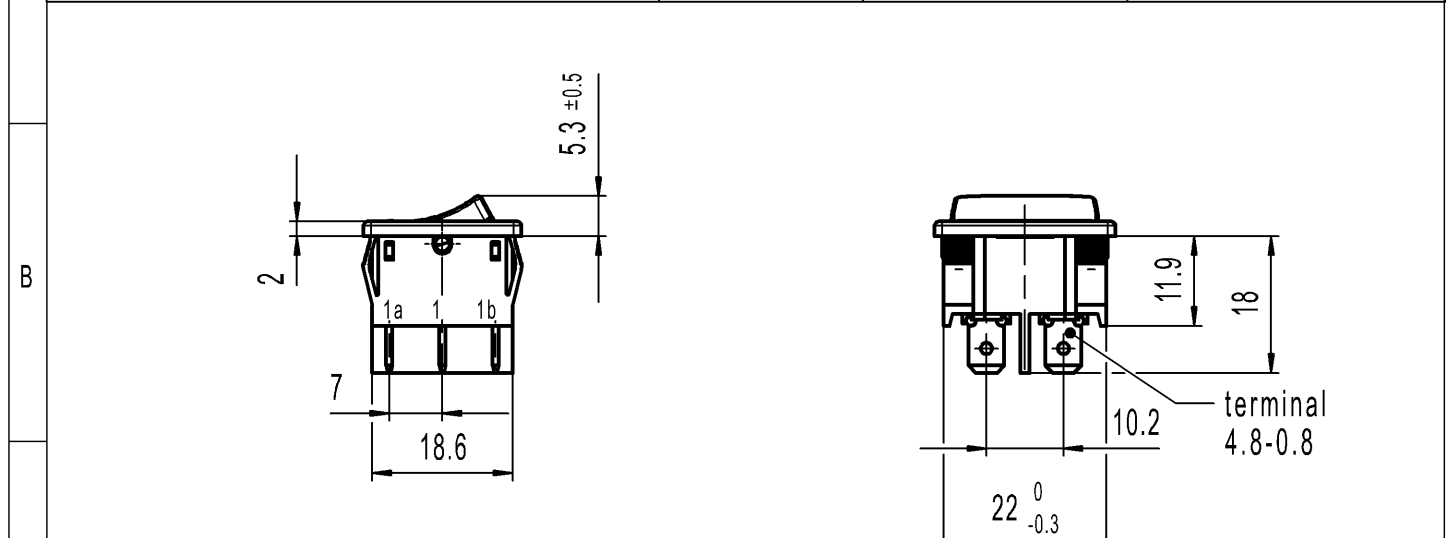
CONFIDENTIAL

VERTRAULICH

Alle Rechte bei Marquardt, auch fuer den Fall von Schutzrechtsanmeldungen. Jede Veruegungsbefugnis, wie Kopier- und Weitergaberecht, bei uns.

THIS DRAWING IS THE EXCLUSIVE PROPERTY OF MARQUARDT. WITHOUT THEIR CONSENT IT MAY NOT BE REPRODUCED OR GIVEN TO THIRD PARTIES.

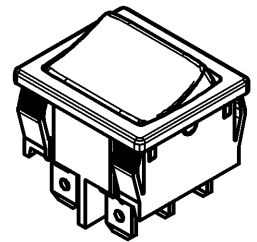
A	recommended cut-out for snap-in fixing (edge opposite to snap-in direction)	1	2	3	4
		0.75 to 1.25	1.25 to 2	2 to 3	terminal 4.8-0.8
		19.2-0.1	19.4-0.1	19.8-0.1	
		21.9+0.1	21.9+0.1	21.9+0.1	



DPDT
Suitable for appliances of class II

10A 125-250V AC
1/3HP 125V AC
1/2HP 250V AC
R50

Code of manufacture: place/year/week



-	-	-	1804.1121-XX																																			
Figure	Type	Customer Part No.	Art.No.-PI																																			
Shape and location	Angle $\pm 2^\circ$	Sheet 01	Ident. K																																			
	Edge tolerance	Format DIN A4	Document number 18041121																																			
	<table border="1"> <thead> <tr> <th colspan="2">Length</th> <th colspan="2">Radii</th> </tr> <tr> <th>0-6</th> <th>± 0.2</th> <th>0-6</th> <th>± 0.2</th> </tr> </thead> <tbody> <tr> <td>>6-15</td> <td>± 0.4</td> <td></td> <td></td> </tr> <tr> <td>>15-30</td> <td>± 0.4</td> <td></td> <td></td> </tr> <tr> <td></td> <td></td> <td></td> <td></td> </tr> <tr> <td></td> <td></td> <td></td> <td></td> </tr> <tr> <td></td> <td></td> <td></td> <td></td> </tr> <tr> <td></td> <td></td> <td></td> <td></td> </tr> <tr> <td></td> <td></td> <td></td> <td></td> </tr> </tbody> </table>	Length		Radii		0-6	± 0.2	0-6	± 0.2	>6-15	± 0.4			>15-30	± 0.4																							Index g
		Length		Radii																																		
0-6	± 0.2	0-6	± 0.2																																			
>6-15	± 0.4																																					
>15-30	± 0.4																																					
		Projection	Appliance Switch																																			
		Scale 1:1																																				
		All dimensions are in millimetres																																				
g	137892	System NX V1872																																				
f	29283	Replacement of																																				
e	15938	Zg.gl.Nr.v.18.05.2000																																				
Index	MEC-No.	Date (YYYY-MM-DD)																																				
		Edited by																																				

X-ON Electronics

Largest Supplier of Electrical and Electronic Components

Click to view similar products for [Rocker Switches](#) category:

Click to view products by [Marquardt](#) manufacturer:

Other Similar products are found below :

[LTILA6E-1S-WH-RC-FN12VXCR1](#) [6-1571986-9](#) [8007K26N324V52](#) [8055K23Z7V](#) [8055K32Z7V](#) [8055K52Z7V](#) [8138K20E6M50](#) [84206L](#)
[84312LX](#) [PREDD5-07F-BB0GW](#) [999-16716-002](#) [999-16716-003](#) [999-16716-004](#) [A101J1V3Q004](#) [A101J2ZQ004](#) [A101J4ZQ004](#)
[A101J51CB0004](#) [A103J1ZQ004](#) [A201J1AQ004](#) [A201J3ZB004](#) [A201J50ZQ004](#) [A203J51ZQ0004](#) [A435S1YZQ](#) [H8500XBBBBL-A](#)
[H8653VBBG2577W](#) [HB130CHNWWNAAC](#) [R13112ABB-602W](#) [1251.0303](#) [AE205J60V3B004](#) [1352.0107](#) [1571099-3](#) [1571987-4](#)
[1571987-5](#) [1571989-7](#) [1571988-5](#) [B123J77V7B2](#) [B226J50W4Q22P](#) [B433J37ZQ22M](#) [160212E](#) [1634200-7](#) [1801.1164](#) [1839.1502](#) [PANEL-](#)
[PLUG-VHP-BLACK](#) [PANEL-PLUG-VHP-WT](#) [K1ABBSCADN](#) [KG312A2DXD246X](#) [250011E714](#) [2600HM11E](#) [2600R21E](#) [260413E](#)