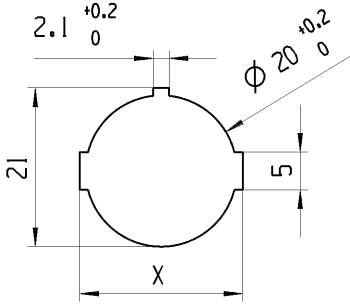
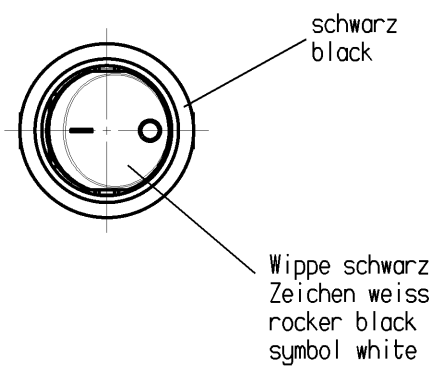
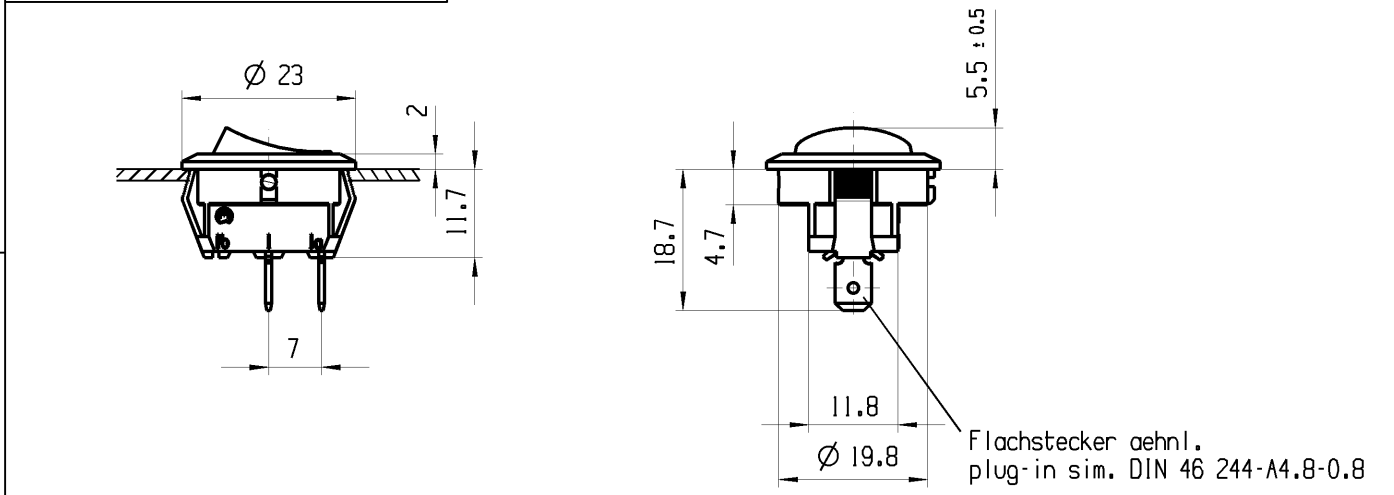



| | | | | |
|-----------|---|---------------------------------|-----------|---|
| A | 1 | 2 | 3 | 4 |
| | Empfohlener Plattenausschnitt suggested panel cutout | Plattendicke panel thickness | X | |
| |  | 0.75-1.25 | 21.2 -0.1 | |
| | | 1.25-2.00 | 21.4 -0.1 | |
| 2.00-3.00 | | 21.8 -0.1 | | |




Aufschrift
Marking

Ⓜ
18..
8(81)/250~5E4
12(41)/250~
5/70A 250V~
T100/55  05

Aufschriftbeschreibung
marking description

R149= 15A 125-250V AC
3/4 HP 125V AC
1 1/2 HP 250V AC

Ausschalter 1-polig
Fuer Gerate der Klasse II geeignet
SPST
suitable for appliances of class II

| | | | | | | | | | | |
|--|---------------------------|--|--|--------------------|---------------|--------------------------------------|----------------|---|------------------------------|---------|
| fuer Form und Lage FOR SHAPE AND LOC. | ⊙ = | Allgemeintoleranzen UNTOLERANCED DIMENSIONS | | | | Pause COPY | Blatt SHEET 01 | TYP K | Zeichn./DRAWING NO. 18811103 | Index c |
| | fuer Winkel FOR ANGLE ± 2 | PROJEKTION | Abmasse und Nennmassbereiche Angaben in mm | Laenge LENGTH | Radial RADII | | | | | |
| | | | ALL DIMENSIONS ARE IN MILLIMETRES | 0-6 ± 0.2 | ± 0.2 | | | | | |
| | | | | >6-15 ± 0.4 | ± 0.4 | | | | | |
| | | | | >15-30 ± 0.4 | ± 0.4 | | | | | |
| | | | | >30-70 ± | | | | | | |
| | | | | >70-120 ± | ± 10% | | | | | |
| | | | | >120-200 ± | | | | | | |
| c | 54873 | 10/26/07 | LX | | | CAD: NX V4.0 | | GERAETESCHALTER | | |
| b | 45331 | 02/17/06 | MUT | | | gez./DRAWN BY 07/08/05 YLJ | | APPLIANCE SWITCH | | |
| a | 45770 | 02/09/06 | MUT | | | gepr./CHECKED BY | |  MARQUARDT | | |
| | 43798 | 10/05/05 | MUT | | | Ersatz fuer/REPLACEMENT OF V05140100 | | | | |
| Ausg. ISSUE | Aenderung REVISION | gez. DRAWN BY | Ausg. ISSUE | Aenderung REVISION | gez. DRAWN BY | | | | | |

X-ON Electronics

Largest Supplier of Electrical and Electronic Components

Click to view similar products for [Rocker Switches](#) category:

Click to view products by [Marquardt](#) manufacturer:

Other Similar products are found below :

[LTILA6E-1S-WH-RC-FN12VXCR1](#) [6-1571986-9](#) [8007K26N324V52](#) [8055K23Z7V](#) [8055K32Z7V](#) [8055K52Z7V](#) [8138K20E6M50](#) [84206L](#)
[84312LX](#) [PREDD5-07F-BB0GW](#) [999-16716-002](#) [999-16716-003](#) [999-16716-004](#) [A101J1V3Q004](#) [A101J2ZQ004](#) [A101J4ZQ004](#)
[A101J51CB0004](#) [A103J1ZQ004](#) [A201J1AQ004](#) [A201J3ZB004](#) [A201J50ZQ004](#) [A203J51ZQ0004](#) [A435S1YZQ](#) [H8500XBBBBL-A](#)
[H8653VBBG2577W](#) [HB130CHNWWNAAC](#) [R13112ABB-602W](#) [1251.0303](#) [AE205J60V3B004](#) [1352.0107](#) [1571099-3](#) [1571987-4](#)
[1571987-5](#) [1571989-7](#) [1571988-5](#) [B123J77V7B2](#) [B226J50W4Q22P](#) [B433J37ZQ22M](#) [160212E](#) [1634200-7](#) [1801.1164](#) [1839.1502](#) [PANEL-](#)
[PLUG-VHP-BLACK](#) [PANEL-PLUG-VHP-WT](#) [K1ABBSCADN](#) [KG312A2DXD246X](#) [250011E714](#) [2600HM11E](#) [2600R21E](#) [260413E](#)