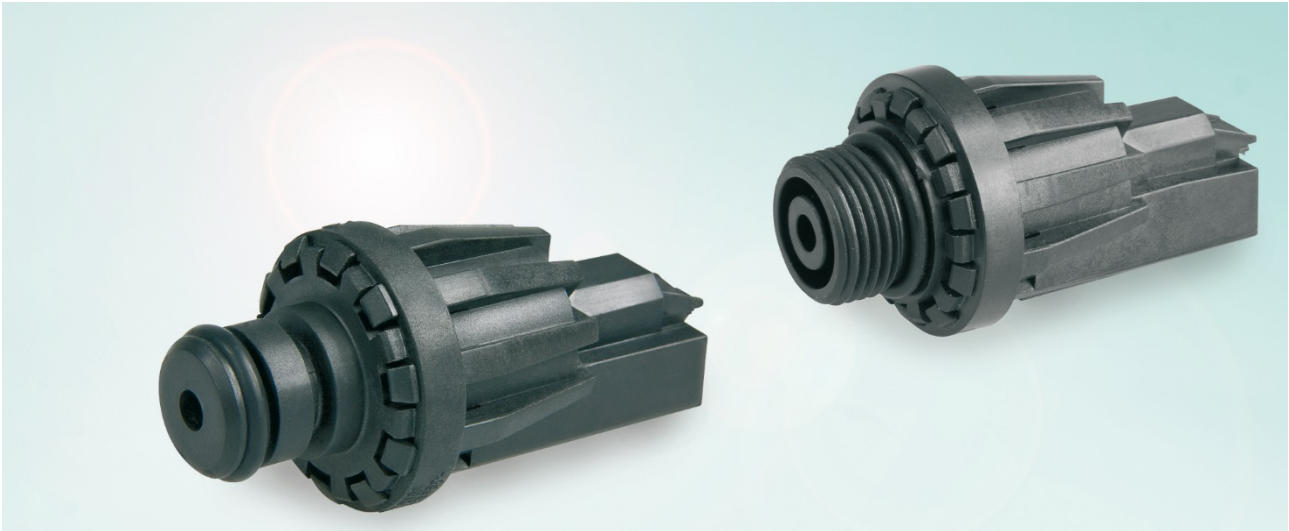




# SERIES 2066.21XX – ANALOG PRESSUR SENSOR

MEASURING LIQUID AND GAS PRESSURE



## ADVANTAGE

- High endurance
- Suitable for high temperatures
- Linear output signal
- High quality
- Numerous versions

## PRODUCT FEATURES

- More than 150,000 pressure cycles, useful life of more than 15 years
- Robust design, special materials, strict qualification
- Analogue voltage output signal (1,125 V - 3,6 V / 0 - 4,5 bar (2066.2102))
- Fully automatic 100% final test and calibration
- Different versions available regarding measuring range, output signal, supply voltage, mechanical and electrical connection

## EXAMPLES OF APPLICATION

- HVAC technology
- Heat pumps
- Solar thermal systems
- Controlled pumps and valves
- Large household appliances
- Level measuring



Medium	Heating water, water, air
Measuring range	0 ... 450 kPa / 4,5 bar / 65 psi
Burst pressure	> 0,9 MPa / 9 bar / 130 psi
Characteristic / Tolerance* at Vcc = 5,00 V DC	$U_{out} [V] = 0,58 [V/bar] \times \text{applied pressure [bar]} + 1,23 [V]$ $U_{out} [V] = 0,55 [V/bar] \times \text{applied pressure [bar]} + 1,125 [V]$ $U_{out} [V] = 0,52 [V/bar] \times \text{applied pressure [bar]} + 1,02 [V]$
→ Upper tolerance limit	
→ Ideal characteristic	
→ Lower tolerance limit	
The tolerance value includes a temperature influence of 0.01 % FS/K for the medium temperature	
→ Material housing	Grivory (glass fibre reinforced) EPDM + fabric reinforcement Certified for drinking-water / KTW, W270, FDA on request
→ Material membrane	
Medium temperatur (water)	+2 °C ... +90 °C (max. 120 °C for 10 minutes above lifetime)
Ambient temperature	-10 °C ... +70 °C
Storage temperature	-40 °C ... +70 °C
Supply voltage	5 V DC ± 0.25 V (ratiometric)
Maximum power consumption	< 14 mA (12 mA typ)
Output signal (2066.2102)	Proportional analog voltage
→ at 0 bar / → at 4,5 bar	→ 1,125 V / → 3,6 V
Terminal	Rast 2.5; 3-pole, 4-pole



# SERIES 2066.21XX – ANALOG PRESSUR SENSOR

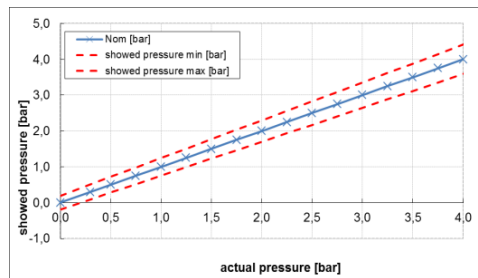
MEASURING LIQUID AND GAS PRESSURE

## VARIANTS

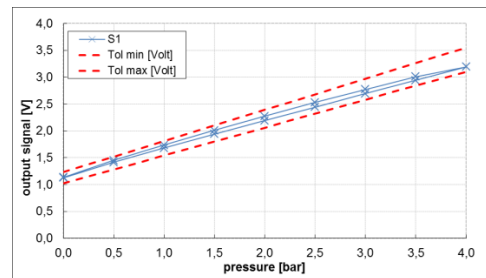
Product number	Supply voltage	Ratiometric	Voltage-controlled	Pressure range	Burst pressure	O-ring seal	3-pole (Rast 2.5)	4-pole (Rast 2.5)	Plug-on flanges	Screw flange G3/8"	Output signal Uout
2066.2102*	5 V DC $\pm 0,25$ V	●		0...4,5 bar	9 bar			●	●		0.55 V x p + 1.125 V
2066.2109*	5 V DC $\pm 0,25$ V	●		0...4,5 bar	9 bar	●		●	●		0.55 V x p + 1.125 V
2066.2112*	5 V DC $\pm 0,25$ V (protective diode)	●		0...4,5 bar	9 bar	●		●	●		0.55 V x p + 1.125 V
2066.2116*	6 - 30 V DC		●	0...4,5 bar	9 bar	●	●		●		0.75 V x p + 0.5 V
2066.2122	5 V DC $\pm 0,25$ V	●		0...4,5 bar (max. 6 bar – 2*10 min)	9 bar			●	●		0.55 V x p + 1.125 V
2066.2103*	5 V DC $\pm 0,25$ V	●		0...4,5 bar	9 bar			●		●	0.55 V x p + 1.125 V
2066.2113*	5 V DC $\pm 0,25$ V	●		0...4,5 bar	9 bar	●		●		●	0.55 V x p + 1.125 V
2066.2105	5 V DC $\pm 0,25$ V	●		0...4,5 bar	9 bar		●			●	0.5 V x p + 0.5 V
2066.2107*	6 - 30 V DC		●	0...4,5 bar	9 bar		●			●	0.75 V x p + 0.5 V
2066.2117*	6 - 30 V DC		●	0...4,5 bar	9 bar	●	●			●	0.75 V x p + 0.5 V

\* Stock versions

## CHARACTERISTIC CURVES



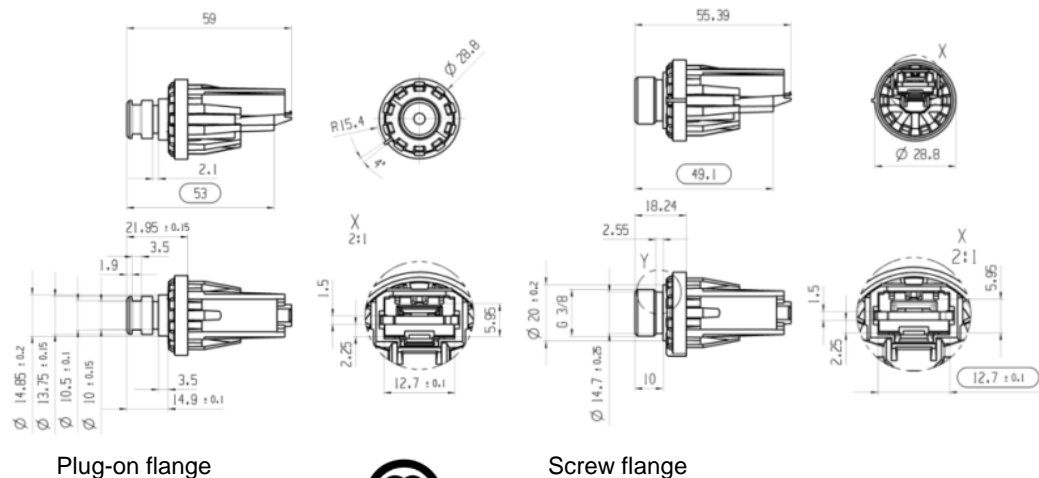
Nominal characteristic curve 2066.2102



Typical sensor characteristic curve 2066.2102

## DRAWINGS

(Dimensions in mm)



Plug-on flange

Screw flange



## X-ON Electronics

Largest Supplier of Electrical and Electronic Components

*Click to view similar products for [Industrial Pressure Sensors](#) category:*

*Click to view products by [Marquardt](#) manufacturer:*

Other Similar products are found below :

[75380-05](#) [76053-00000300-01](#) [76053-00000300-05](#) [76061-00000015-01](#) [76062-B00000350-01](#) [76063-00000350-05](#) [76083-05000500-01](#)  
[76311-05](#) [76577-00000070-01](#) [76584-M00000100-24](#) [77343-24.0H2-01](#) [77343-25.0H2-01](#) [78291-B00000060-01](#) [78303-B00000400-01](#)  
[78303-B00000400-05](#) [78316-B00000030-01](#) [78353-B00000020-05](#) [78665-00000014-05](#) [78677-B00000070-05](#) [78678-00000040-01](#) [79279-](#)  
[00000060-01](#) [79296-B00000350-01](#) [79322-00250035-01](#) [79614-30.0H2-14](#) [79670-00000090-15](#) [79700-00002750-01](#) [79917-B00000280-01](#)  
[80569-00700100-01](#) [81509081](#) [81739-B00000900-01](#) [81807-B00000020-01](#) [MLH010BST01A](#) [MLH010BST14A](#) [MLH025BGC13B](#)  
[MLH025BSCDJ1292](#) [MLH025BSCDJ1303](#) [MLH750PSCDJ1245](#) [82903-B00000020-01](#) [83250-02500600-05](#) [83271-00000040-04](#) [83278-](#)  
[B00000200-21](#) [83286-00000150-01](#) [83299-00000150-05](#) [83303-00000600-01](#) [83305-00001350-01](#) [83330-00000100-01](#) [83349-00001470-24](#)  
[83350-04.0HG-05](#) [83350-15.0H2-05](#) [83357-00000030-21](#)