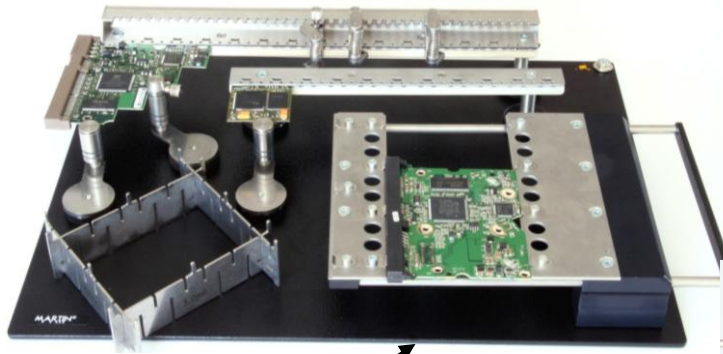


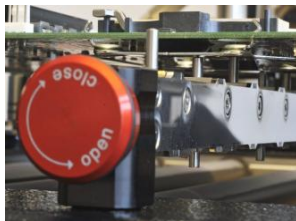
PCB SUPPORT SYSTEM



PCB-Support Series 40.5mm



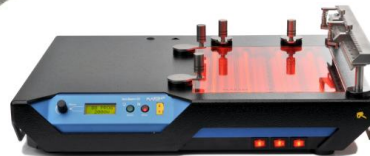
PCB-Support Series 55.5mm



Flex Support



Magnet Holder



Securing PCBs in place during hand soldering sometimes becomes a tricky task. PCB edge-connectors or dense population of components can make clamping and supporting PCBs difficult, especially if PCB are asymmetrical or non-rectangular.


MARTIN PCB support tools use magnets and are flexible to move on a steel plate to secure a PCB at its optimum location. The PCB supports are designed to clamp the PCB typically over a bottom heater. PCB Holders are top-justified and spring loaded for repeatable positioning. This simple method has proven to be reliable over many years.

To accommodate different size bottom heaters, two PCB support heights are available: One with a free clearance of 55,5mm and one with 40,5mm.

For large size PCBs, MARTIN offers bottom side supports which can be installed underneath the PCB. Providing bottom side support, sometimes necessary for some applications to prevent deflection and to maintain co-planar surfaces.

TECH INFO – PCB SUPPORT SYSTEM

PCB Support Tools 40.5mm Series

HF00.0018	Handy Fix 03/06 base plate only 280*380mm ²			1 piece
SF30.0004	PCB Support 40.5mm 1.5mm thickness			1 piece
SF30.0005	PCB Support 40.5mm 3mm thickness			1 piece
SF03.0004	PCB Magnet Holder 40.5mm for IR/IRD/IRH/IRF/HIF and DL/RD			1 piece
SF03.0014	PCB Magnet Holder Easy Lock 40.5mm (snap) for IR/IRD/IRH/IRF/HIF and DL/RD			1 piece
SF03.0010	PCB Support Rail 40.5mm for IR/IRD/IRH/IRF/HIF and DL/RD			1 piece
SF33.0010	PCB Magnet Holder Rail 40.5mm for IR/IRD/IRH/IRF/HIF and DL/RD			1 piece
SF01.0100	PCB Clip For Use With SF03.0010 and SF33.0014			1 piece
SF03.0019	PCB Clamping Holder 40.5mm with 3 fingers for IR/IRD/IRH/IRF/HIF and DL/RD			1 piece
SF36.1005	PCB Flex Support 40.5mm "18 pin" l=760			1 piece
SF36.1002	PCB Flex Support 40.5mm "12 pin" l=520			1 piece
SF36.1001	PCB Flex Support 40.5mm "10 pin" l=440mm			1 piece
SF36.1003	PCB Fix Support 40.5mm "4 pin" 350mm			1 piece
SF36.1004	PCB Fix Support 40.5mm "6 pin" 515mm			1 piece
SF36.1007	PCB Fix Support 40.5mm "9 pin" 760mm			1 piece

TECH INFO – PCB SUPPORT SYSTEM

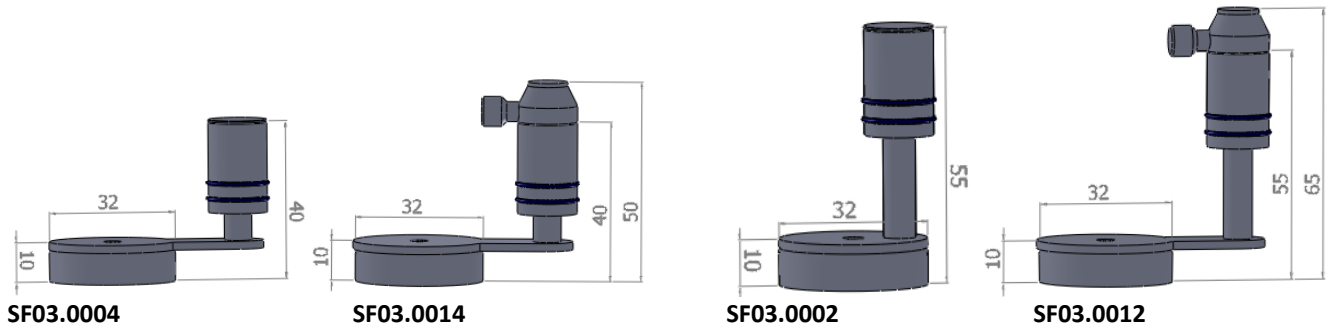
PCB Support Tools 55.5mm Series

HF00.0000	Handy Fix 01 Base Plate 380*200*55,5mm ³			1 piece
SF03.0002	PCB Magnet Holder 55.5mm for HB 03/04, HF 04/05/06			1 piece
SF03.0012	PCB Magnet Holder Easy Lock 55.5mm (snap) for HB 03/04, HF 04/05/06			1 piece
SF03.0005	PCB Magnet Holder adjustable 55,5mm =>69,5, for HB 03/04, HF 04/05/06			1 piece
SF03.0011	PCB-Support-Rail for HB03/04, Handy Fix, H=55,5mm, L=223mm			1 piece
SF33.0014	PCB Magnet Holder Rail for HB03/04, H=55,5mm, L=300mm			1 piece
SF01.0100	PCB Clip For Use With SF03.0010 and SF33.0014			1 piece
SF04.0020	PCB Clamping Holder with 3 fingers, 55.5mm=>69.5, for HB 03/04, HF 04/05/06			1 piece

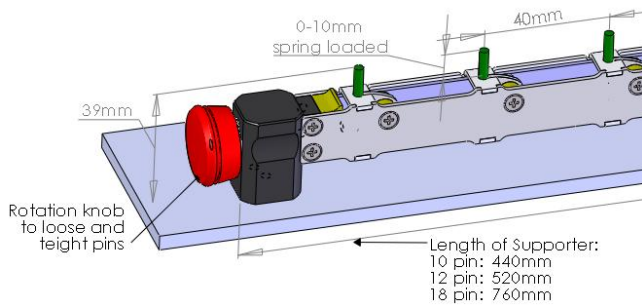
TECH INFO – PCB SUPPORT SYSTEM

Dimensions and Sizes

Technical Details of Magnet Holder

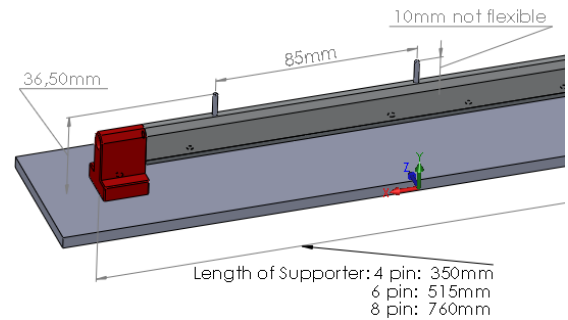


Technical Details of Flex-Support



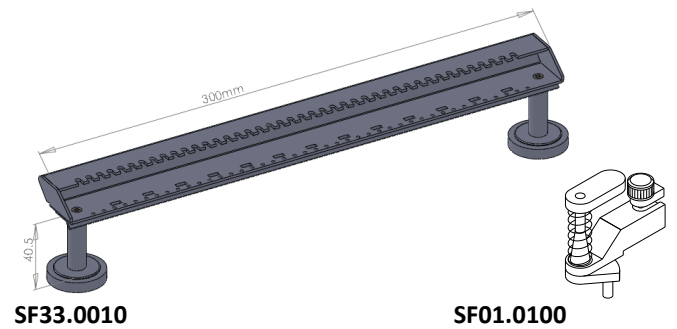
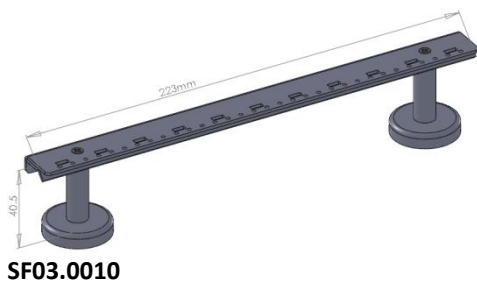
SF36.1001 and SF36.1002 and SF36.1005

Technical Details of Fix-Support

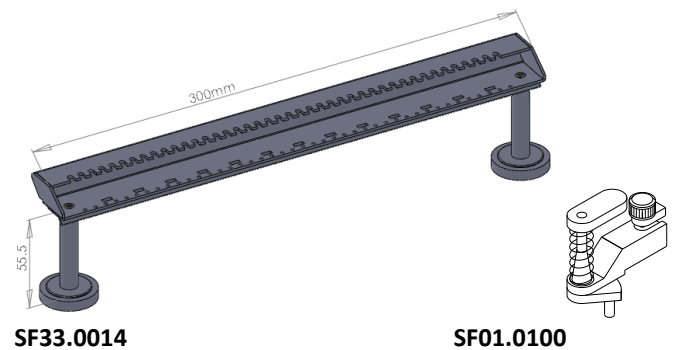
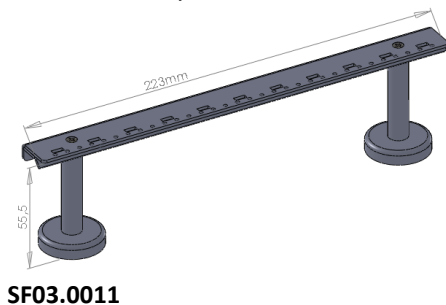


SF36.1003 and SF36.1004 and SF36.1007

Technical Details of PCB Support Rails and Magnet Holder Rails - Series 40,5mm



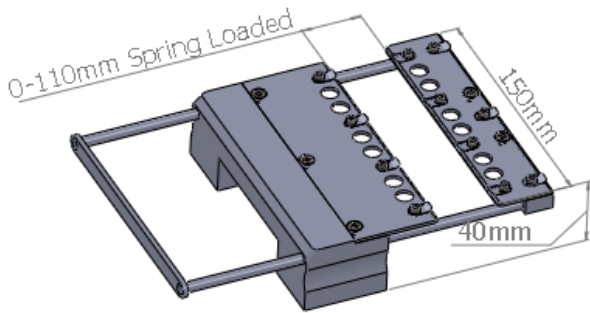
Technical Details of PCB Support Rails and Magnet Holder Rails - Series 55,5mm



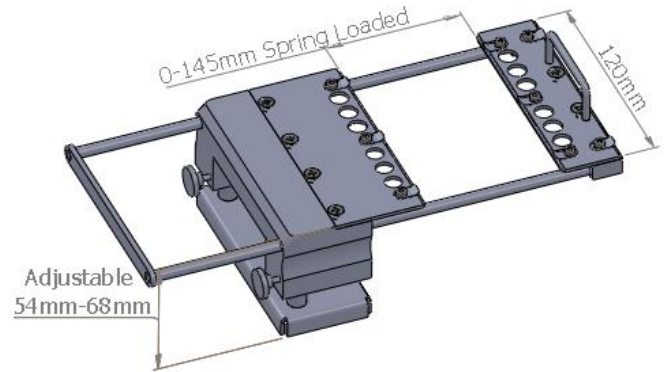
TECH INFO – PCB SUPPORT SYSTEM

Dimensions and Sizes

Technical Details of Magnet Clamp Holder

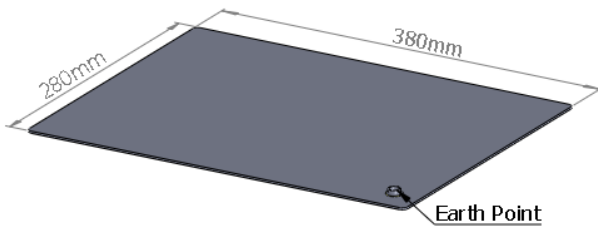


SF03.0019

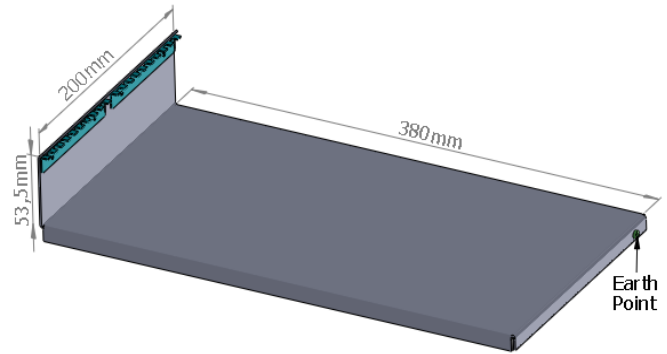


SF04.0020

Technical Details of Base Plates

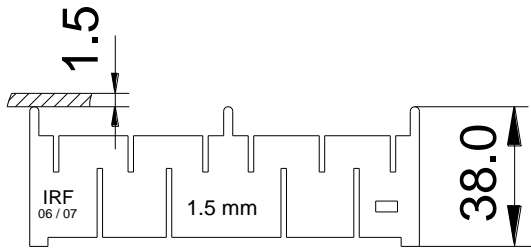


SF03.0018

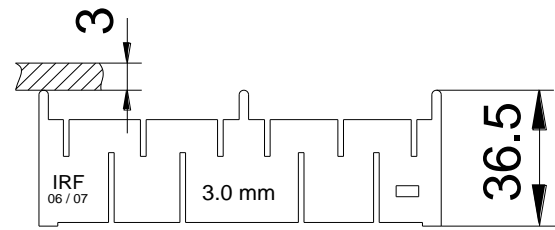


HT00.0000

Technical Details of PCB Support



SF30.0004



SF30.0005

X-ON Electronics

Largest Supplier of Electrical and Electronic Components

Click to view similar products for [Martin SMT manufacturer](#):

Other Similar products are found below :

[HF00.0018](#) [VD90.5005](#) [HT00.0019](#) [HT00.0119](#)