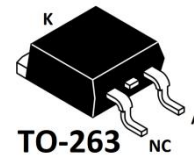
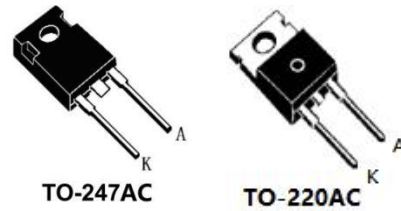


# ESTF30SS60SC

Super Fast Recovery Diode

## Features

- Ultra fast Recovery Time
- Low Recovery Loss
- Low Forward Voltage
- Low Leakage Current



## Applications

- Switching Power Supplies
- Snubber diode
- Anti-parallel Diode for high frequency Switching Devices

## Absolute Maximum Ratings @ T<sub>c</sub>=25°C

Symbol	Parameter	ratings	Unit
V <sub>RRM</sub>	Repetitive peak reverse voltage @50μA	600	V
V <sub>RWM</sub>	Working Peak Reverse Voltage	600	V
I <sub>F(AV)</sub>	Average forward current @T <sub>c</sub> =110°C	30	A
I <sub>FSM</sub>	Peak one Cycle Surge Forward @t=8.3ms	300	A
E <sub>AVL</sub>	Avalanche Energy(per diode) (1A, 40mH)	20	mJ
T <sub>j</sub>	Junction Temperature	-55~+175	°C
T <sub>STG</sub>	Storage temperature range	-55~+175	°C

## Electrical Specifications @ T<sub>c</sub>=25°C

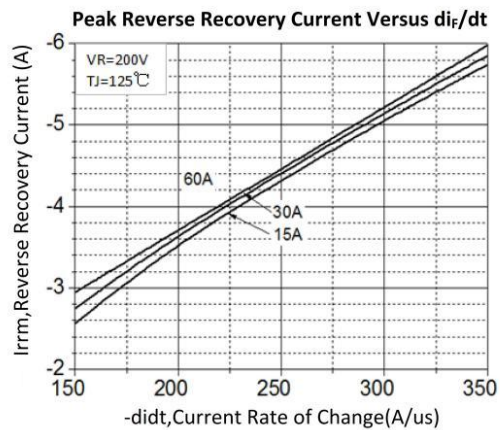
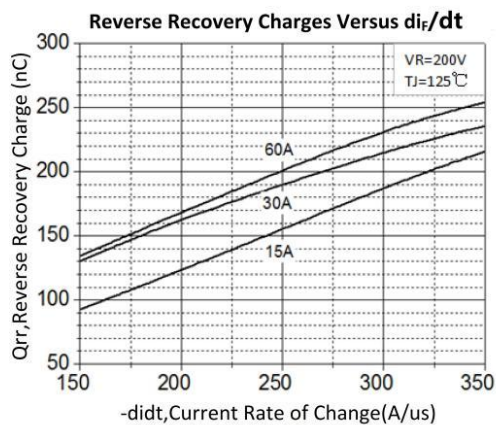
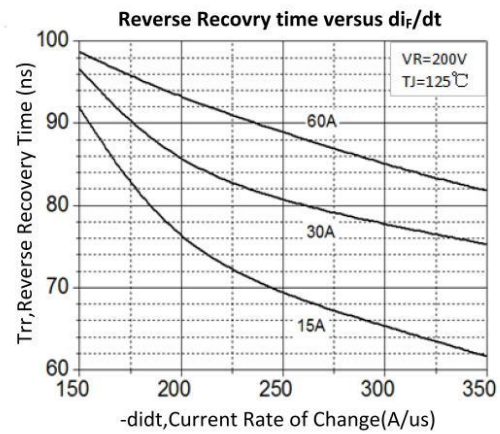
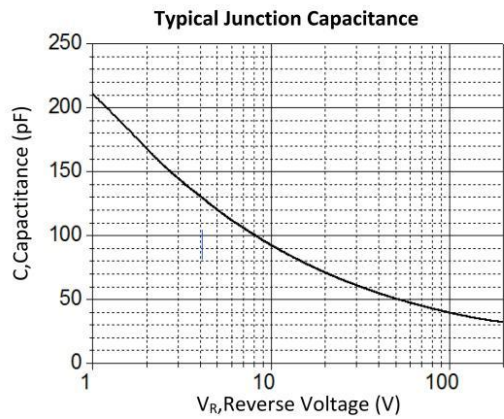
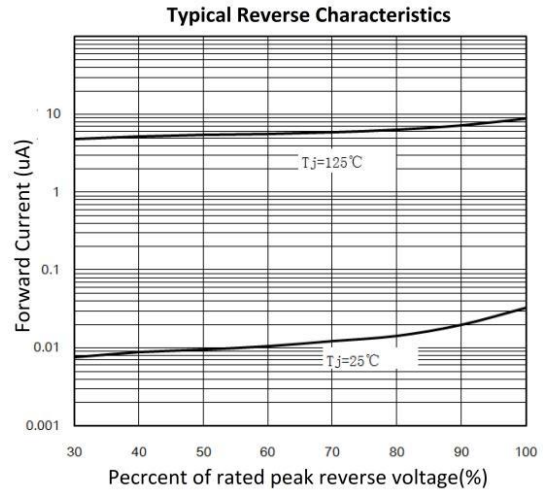
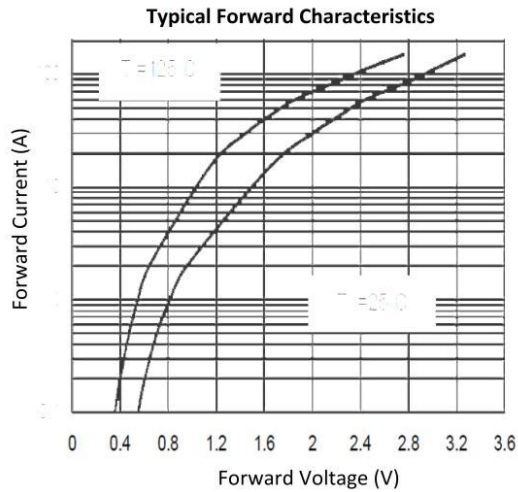
Symbol	Parameter		Ratings			Unit
			Min	Typ	Max	
I <sub>R</sub>	T <sub>j</sub> =25°C	V <sub>R</sub> =V <sub>RRM</sub>			10	μA
	T <sub>j</sub> =125°C				300	μA
V <sub>F</sub>	T <sub>j</sub> =25°C	I <sub>F</sub> =30A		2.0	2.5	V
	T <sub>j</sub> =125°C				2.1	V
T <sub>rr</sub>	I <sub>F</sub> =0.5A, I <sub>R</sub> =1A, I <sub>RR</sub> =0.25A			28	40	ns
T <sub>rr</sub>	I <sub>F</sub> =1A, V <sub>R</sub> =30V, di <sub>F</sub> /dt=-200A/μs			20	25	ns
T <sub>rr</sub>	I <sub>F</sub> =30A, V <sub>R</sub> =200V, di <sub>F</sub> /dt=-200A/μs @T <sub>c</sub> =25°C			30		ns
Q <sub>rr</sub>				23		nC
I <sub>R</sub> RM				1.5		A

<b>T<sub>rr</sub></b>	<b>I<sub>F</sub>=30A, V<sub>R</sub>=200V, di<sub>F</sub>/dt=-200A/μs @T<sub>C</sub>=125°C</b>		86		ns
<b>Q<sub>rr</sub></b>			160		nC
<b>I<sub>RRM</sub></b>			3.7		A
<b>R<sub>th(j-c)</sub></b>	Thermal resistance from junction to case	TO-220AC	1.2		°C/W
<b>R<sub>th(j-c)</sub></b>	Thermal resistance from junction to case	TO-247AC/ TO-263	0.45		°C/W

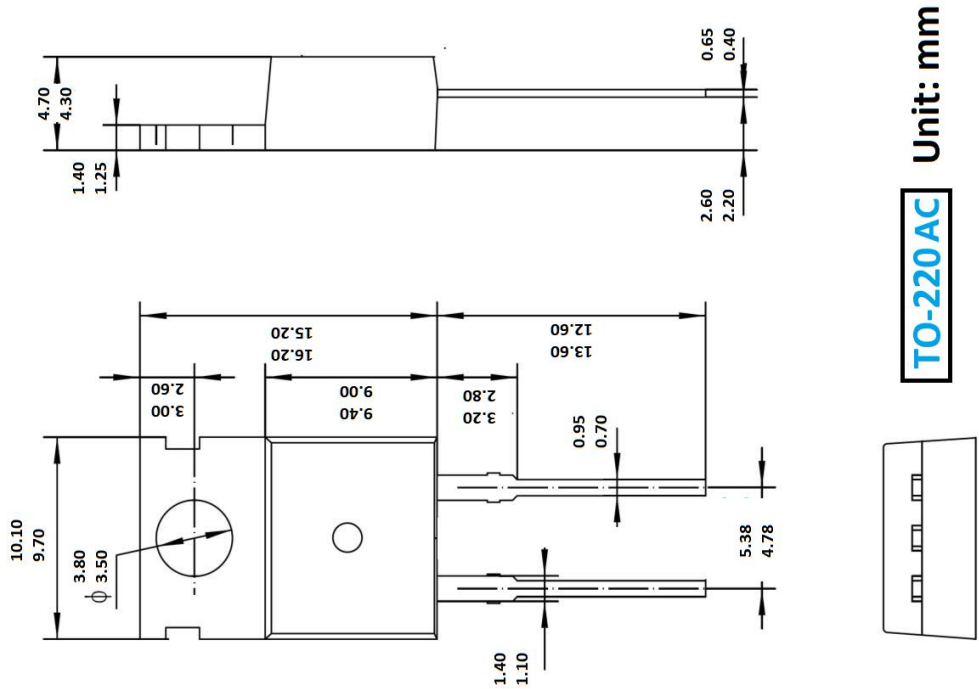
### Order Message

Order codes	Package	Packaging
ESTF30SS60SC	TO-220AC	Tube
ESTF30SS60SS	TO-247AC	Tube
ESTF30SS60SE	TO-263	

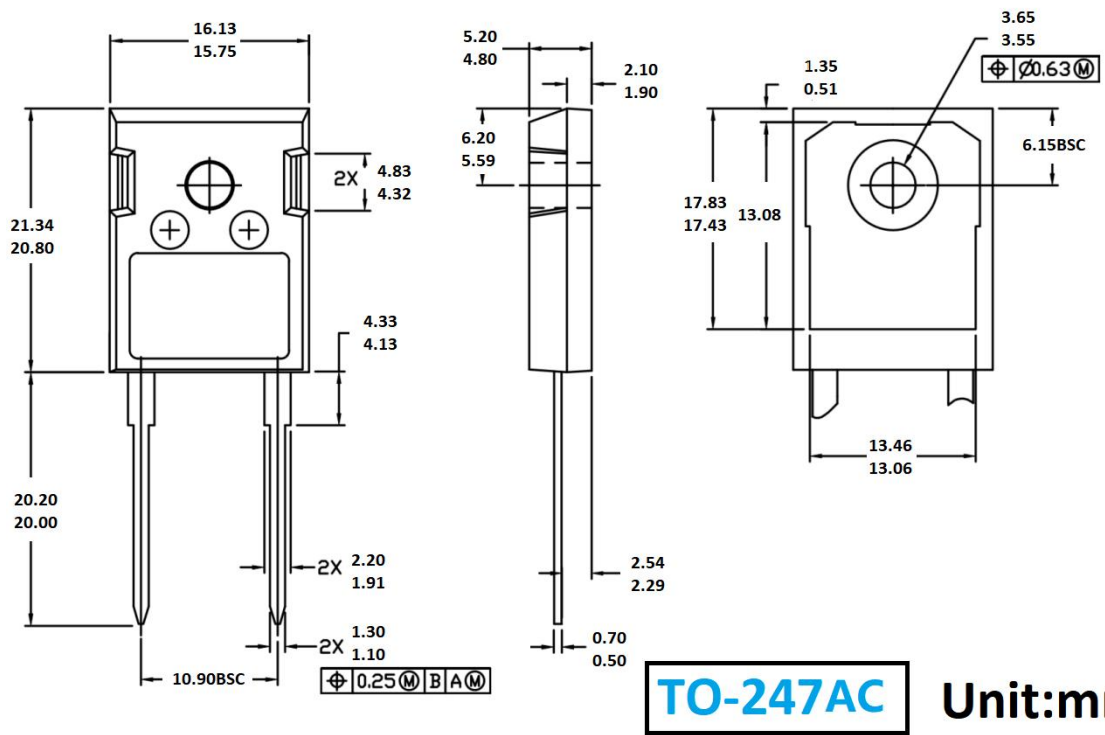
### Typical Performance Curves



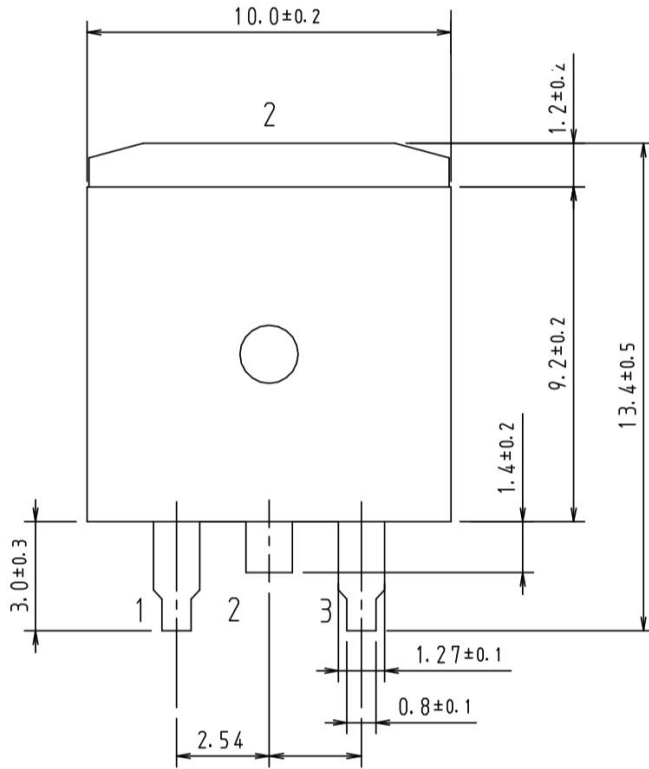
Package



Unit: mm  
**TO-220AC**



Unit: mm  
**TO-247AC**



TO-263

Unit:mm

## X-ON Electronics

Largest Supplier of Electrical and Electronic Components

*Click to view similar products for [Rectifiers](#) category:*

*Click to view products by [MASPOWER](#) manufacturer:*

Other Similar products are found below :

[70HFR40](#) [FR105 R0](#) [RL252-TP](#) [1N5397](#) [JANTX1N5634A](#) [1N4005-TR](#) [1N4007-BP](#) [UFS120Je3/TR13](#) [20ETS12S](#) [RRE02VS6SGTR](#)  
[MS306](#) [A1N5404G-G](#) [CRF02\(T5L,TEMQ\)](#) [ACGRB207-HF](#) [CLH07\(TE16L,Q\)](#) [CLH03\(TE16L,Q\)](#) [1N5395-TP](#) [UES1302](#) [ACGRC307-HF](#)  
[ACEFC304-HF](#) [DZ-1380](#) [85HFR60](#) [40HFR60](#) [70HF120](#) [85HFR80](#) [SCF7500](#) [SM100](#) [ACGRA4001-HF](#) [SKN70/08](#) [SKR70/08](#) [NTE5819](#)  
[NTE5827](#) [NTE5828](#) [NTE5911](#) [NTE5915](#) [NTE6104](#) [NTE6163](#) [NTE6164](#) [NTE6165](#) [NTE6364](#) [TSD3G](#) [SET130312](#) [NRVUS110VT3G](#)  
[UES1106](#) [UES1306](#) [NRVUS240VT3G](#) [D5FE60-5063](#) [R4000GPS-TP](#) [D4015L56TP](#) [UES1306HR2](#)