

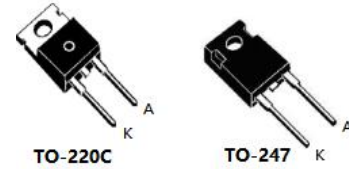
ESF8SS120C/S

Fast Recovery Diode

Features

- Repetitive Reverse Voltage : $V_{RRM} = 1200V$
- Forward Voltage Drop : $V_F(\text{typ.}) = 3.2V$
- Average Forward Current : $I_{F(AV.)} = 8A @ T_c = 100^\circ C$
- Fast Reverse Recovery Time : $t_{rr}(\text{typ.}) = 70ns$
- RoHS product

Package



ESF8SS120C

ESF8SS120S

Applications

- Switching Power Supplies
- Power Switching Circuits
- General Purpose
- UPS



Absolute Maximum Ratings @ $T_c=25^\circ C$

Symbol	Parameter	ratings	Unit
V_{RRM}	Repetitive peak reverse voltage @ $50\mu A$	1200	V
V_{RWM}	Working Peak Reverse Voltage	1200	V
$I_{F(AV)}$	Average forward current @ $T_c=100^\circ C$	8	A
I_{FSM}	Peak one Cycle Surge Forward @ $t=10ms$	270	A
T_j	Junction Temperature	-50~+150	$^\circ C$
T_{STG}	Storage temperature range	-50~+151	$^\circ C$

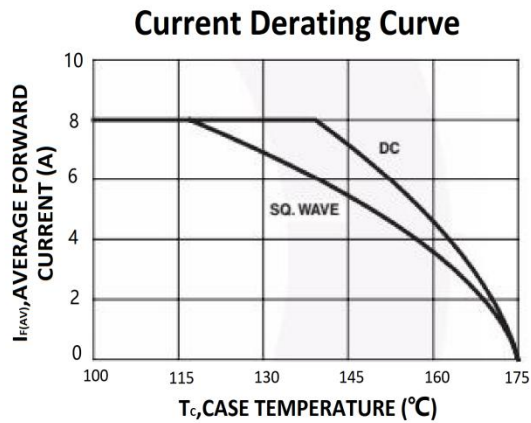
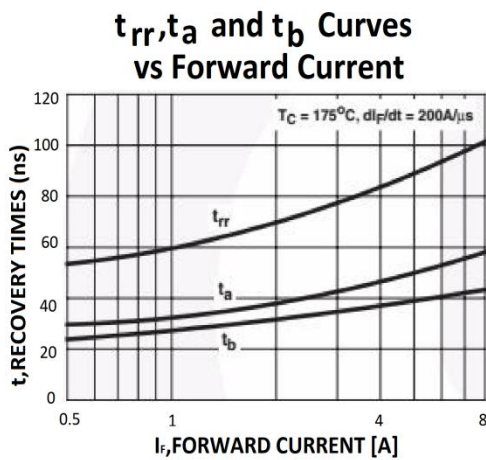
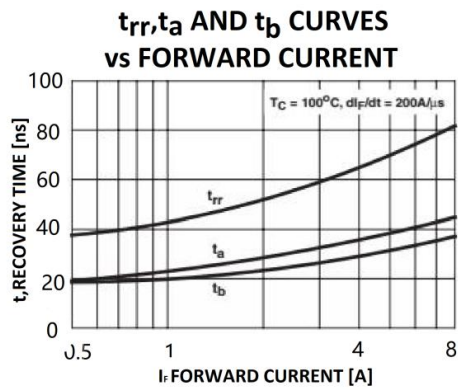
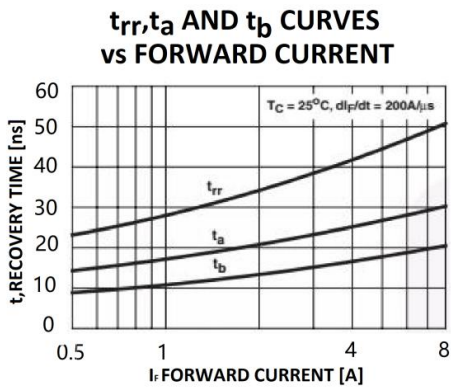
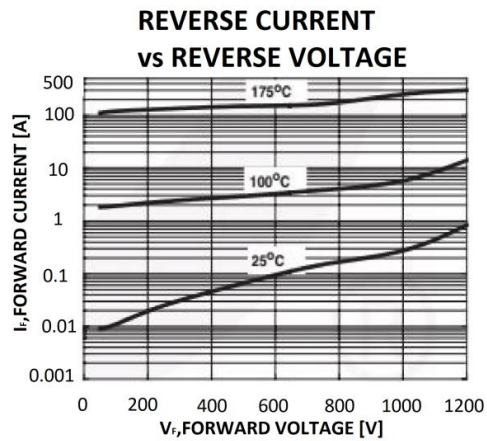
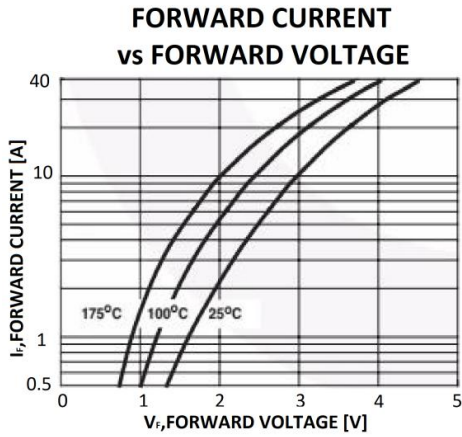
Electrical Specifications @ $T_c=25^\circ C$

Symbol	Parameter		Ratings			Unit
			Min	Typ	Max	
I_R	$T_j=25^\circ C$	$V_R=V_{RRM}$			100	μA
	$T_j=125^\circ C$				500	μA
V_F	$T_j=25^\circ C$	$I_F=8A$			3.2	V
	$T_j=125^\circ C$				2.6	V
T_{rr}	$I_F=1A, V_R=30V, diF/dt=-200A/\mu s$				55	ns
$R_{th(j-c)}$	Thermal resistance from junction to case	TO-247-2L			0.9	$^\circ C/W$
$R_{th(j-c)}$		TO-220C-2L			2	$^\circ C/W$

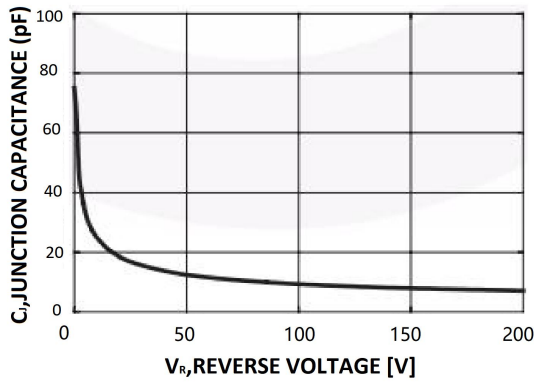
Order Information

Order codes	Silkscreen	Package	Packaging
ESF8SS120C	F8S120C	TO-220C-2L	
ESF8SS120S	F8S120S	TO-247-2L	

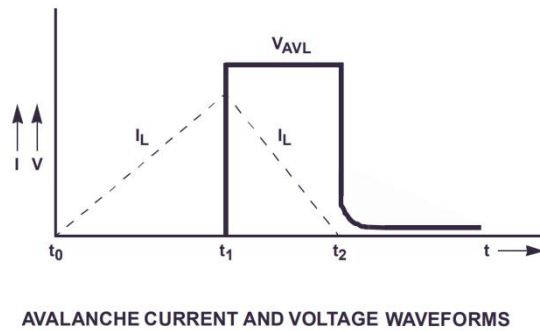
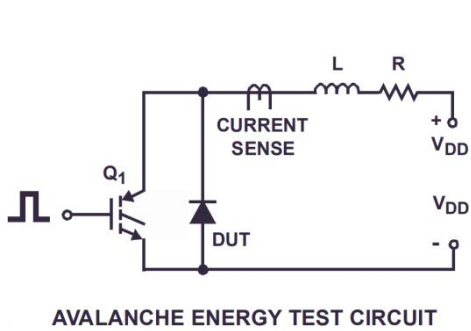
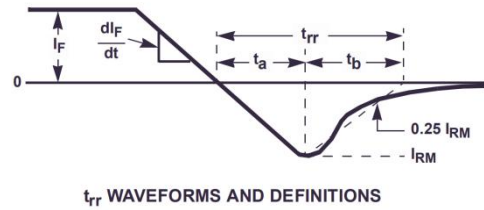
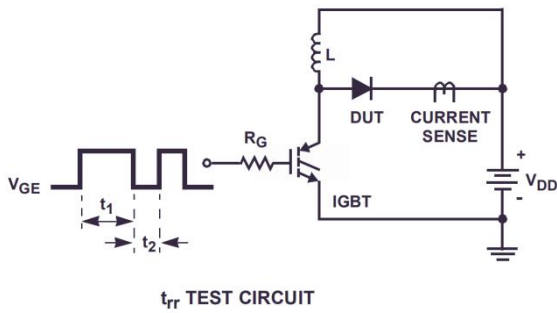
Typical Performance Curves



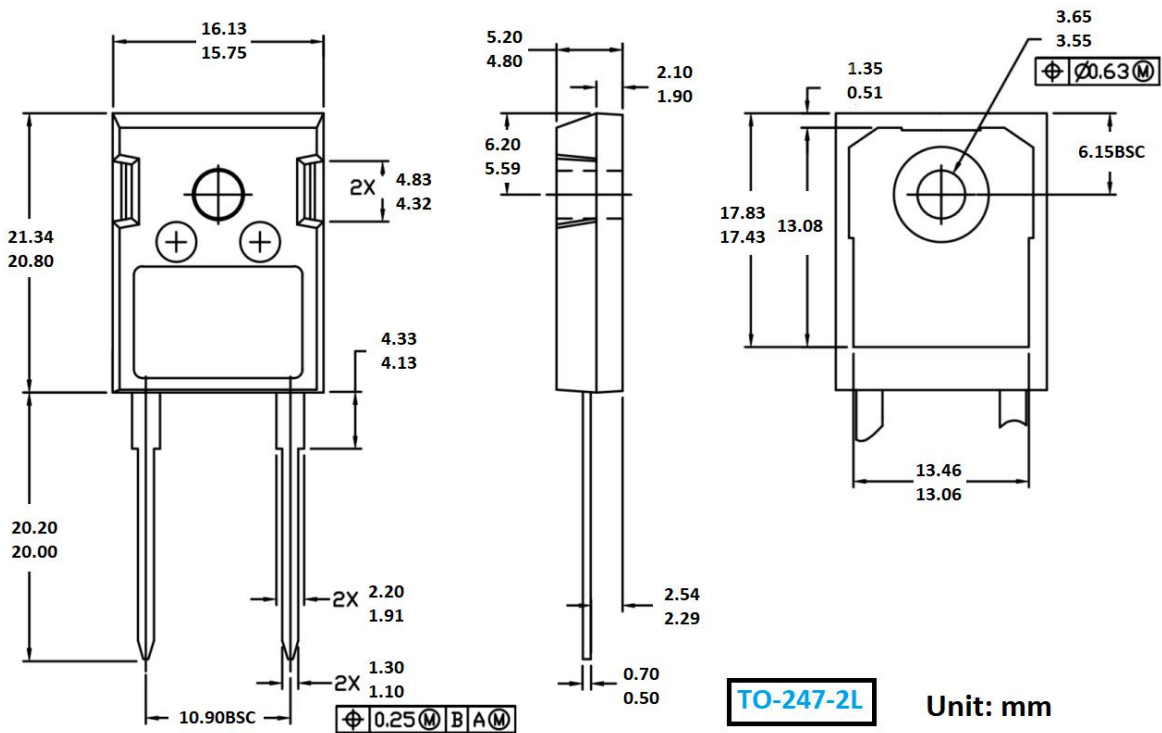
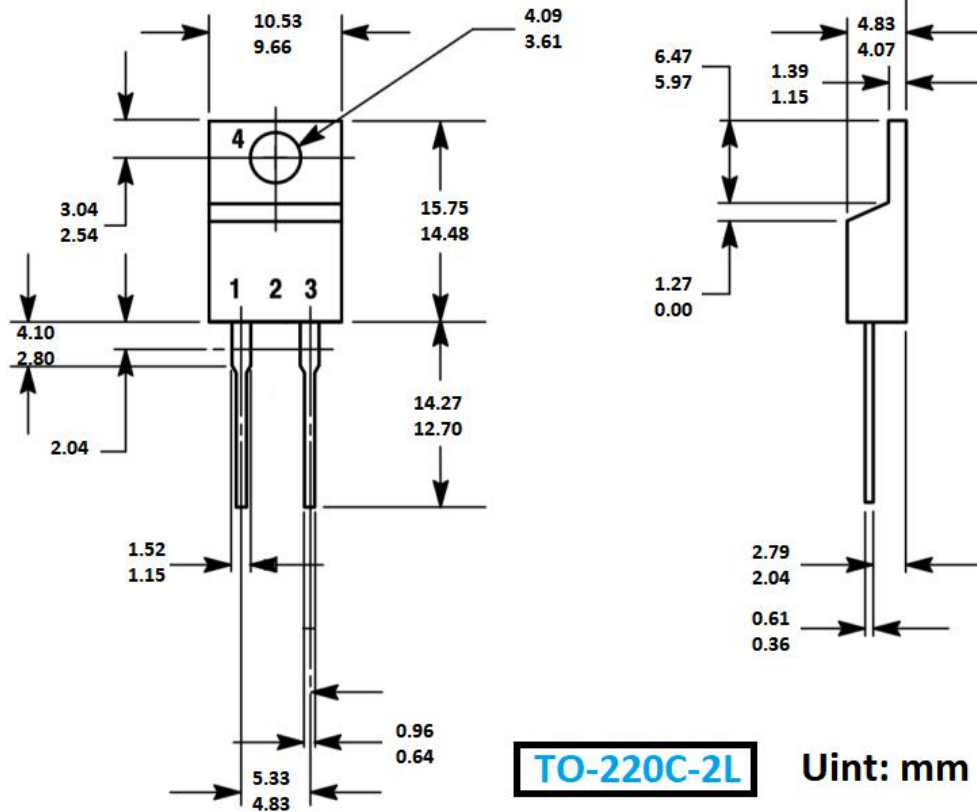
Junction Capacitance vs Reverse Voltage



Test Circuits and Waveforms



Package



X-ON Electronics

Largest Supplier of Electrical and Electronic Components

Click to view similar products for [Rectifiers](#) category:

Click to view products by [MASPOWER](#) manufacturer:

Other Similar products are found below :

[70HFR40](#) [FR105 R0](#) [RL252-TP](#) [1N5397](#) [JANTX1N5634A](#) [1N4005-TR](#) [1N4007-BP](#) [UFS120Je3/TR13](#) [20ETS12S](#) [RRE02VS6SGTR](#)
[MS306](#) [A1N5404G-G](#) [CRF02\(T5L,TEMQ\)](#) [ACGRB207-HF](#) [CLH07\(TE16L,Q\)](#) [CLH03\(TE16L,Q\)](#) [1N5395-TP](#) [UES1302](#) [ACGRC307-HF](#)
[ACEFC304-HF](#) [DZ-1380](#) [85HFR60](#) [40HFR60](#) [70HF120](#) [85HFR80](#) [SCF7500](#) [SM100](#) [ACGRA4001-HF](#) [SKN70/08](#) [SKR70/08](#) [NTE5819](#)
[NTE5827](#) [NTE5828](#) [NTE5911](#) [NTE5915](#) [NTE6104](#) [NTE6163](#) [NTE6164](#) [NTE6165](#) [NTE6364](#) [TSD3G](#) [SET130312](#) [NRVUS110VT3G](#)
[UES1106](#) [UES1306](#) [NRVUS240VT3G](#) [D5FE60-5063](#) [R4000GPS-TP](#) [D4015L56TP](#) [UES1306HR2](#)