

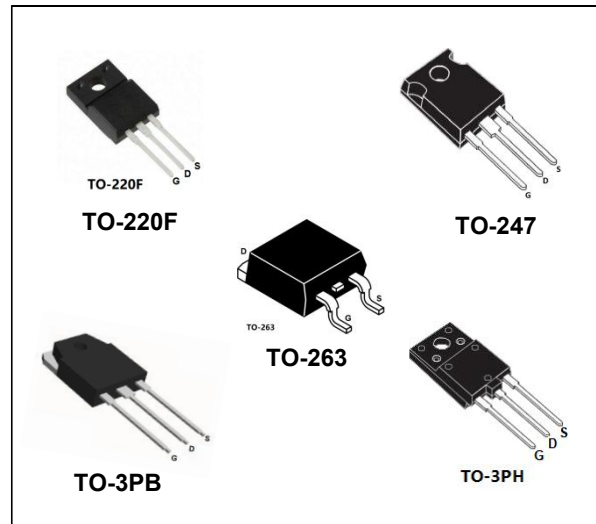
MS4N1350 MS4N1350E MS4N1350B MS4N1350W MS4N1350S

N-channel 1500 V, 6 Ω , 4 A, Power MOSFET
in TO-263, TO-247, TO-220F, TO-3PB, TO-3PH

Features

Type	V _{DSS}	R _{DS(on)}	I _D	P _{TOT}
		max.		
MS4N1350S	1500 V	< 9 Ω	4 A	63 W
MS4N1350	1500 V	< 9 Ω	4 A	140 W
MS4N1350B	1500 V	< 9 Ω	4 A	140 W
MS4N1350E	1500 V	< 9 Ω	4 A	80 W
MS4N1350W	1500 V	< 9 Ω	4 A	140 W

- 100% avalanche tested
- Intrinsic capacitances and Q_g minimized
- High speed switching



Application

Switching applications

Description

MasPower has designed an advanced family of very high voltage Power MOSFETs with outstanding performances. The strengthened layout coupled with the company's proprietary edge termination structure, gives the lowest R_{DS(on)} per area, unrivalled gate charge and switching characteristics.

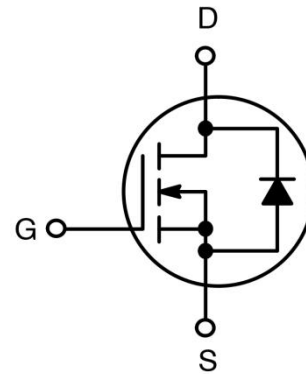


Table 1. Device summary

Order codes	Marking	Package	Packaging
MS4N1350	MS4N1350	TO-3PH	Tube
MS4N1350S	MS4N1350S	TO-220F	Tube
MS4N1350E	MS4N1350E	TO-263	Tube
MS4N1350B	MS4N1350B	TO-3PB	Tube
MS4N1350W	MS4N1350W	TO-247	Tube

1 Electrical ratings

Table 2. Absolute maximum ratings

Symbol	Parameter	Value		Unit
		TO-3P,TO-3PH,TO-247	TO-220F	
V_{DS}	Drain-source voltage ($V_{GS} = 0$)	1500		V
V_{GS}	Gate-source voltage	± 30		V
I_D	Drain current (continuous) at $T_C = 25\text{ }^\circ\text{C}$	4	4 ⁽¹⁾	A
I_D	Drain current (continuous) at $T_C = 100\text{ }^\circ\text{C}$	2.6	2.6 ⁽¹⁾	A
I_{DM} (1)	Drain current (pulsed)	10	10 ⁽¹⁾	A
P_{TOT}	Total dissipation at $T_C = 25\text{ }^\circ\text{C}$	140	63	W
V_{ISO}	Insulation with stand voltage (RMS) from all three leads to external heat sink ($t=1\text{ s}; T_C=25\text{ }^\circ\text{C}$)		3500	V
	Derating factor	1.18	0.63	W/ $^\circ\text{C}$
T_{stg}	storage temperature	-50 to 150		$^\circ\text{C}$
T_j	Max. operating junction temperature	150		$^\circ\text{C}$

1. Pulse width limited by safe operating area

Table 3. Thermal data

Symbol	Parameter	TO-3P	TO-247	TO-263	TO-3PH,TO-220F	Unit
$R_{thj-case}$	Thermal resistance junction-case max	0.9		0.63	2	$^\circ\text{C}/\text{W}$
$R_{thj-amb}$	Thermal resistance junction-ambient max	63.5	50	35	50	$^\circ\text{C}/\text{W}$
T_j	Maximum lead temperature for soldering purpose	300				$^\circ\text{C}$

Table 4. Avalanche characteristics

Symbol	Parameter	Max value	Unit
I_{AR}	Avalanche current, repetitive or not-repetitive (pulse width limited by T_j max)	4	A
E_{AS}	Single pulse avalanche energy (starting $T_j = 25\text{ }^\circ\text{C}$, $I_D = I_{AR}$, $V_{DD} = 50\text{ V}$)	510	mJ

2 Electrical characteristics ($T_{\text{case}} = 25\text{ °C}$ unless otherwise specified)

Table 5. On /off states

Symbol	Parameter	Testconditions	Min.	Typ.	Max.	Unit
$V_{(BR)DSS}$	Drain-source breakdown voltage	$I_D = 1\text{ mA}$, $V_{GS} = 0$	1500			V
I_{DSS}	Zero gate voltage	$V_{DS} = \text{Max rating}$			10	μA
	drain current ($V = 0$)	$V = \text{Max rating}$, $T = 125\text{ °C}$			500	μA
I_{GSS}	Gate-body leakage current ($V_{DS} = 0$)	$V_{GS} = \pm 30\text{ V}$			± 100	nA
$V_{GS(th)}$	Gate threshold voltage	$V_{DS} = V_{GS}$, $I_D = 250\text{ }\mu\text{A}$	3.2	4.5	6	V
$R_{DS(on)}$	static drain-source on resistance	$V_{GS} = 10\text{ V}$, $I_D = 1.3\text{ A}$		5.8	9	Ω

Table 6. Dynamic

Symbol	Parameter	Test conditions	Min.	Typ.	Max.	Unit
g_{fs} (1)	Forward transconductance	$V_{DS} = 30\text{ V}$, $I_D = 1.3\text{ A}$	-	2.6	-	S
C_{iss}	Input capacitance	$V_{DS} = 25\text{ V}$, $f = 1\text{ MHz}$, $V_{GS} = 0$	-	1408	-	μF
C_{oss}	Output capacitance			153		μF
C_{rss}	Reverse transfer capacitance			19.8		μF
$C_{oss\text{ eq.}}$ (2)	Equivalent output capacitance	$V_{DS}=0$ to 1200 V , $V_{GS} = 0$	-	138	-	μF
R_g	Gate input resistance	$f=1\text{ MHz}$ Gate DC Bias=0 Test signal level=20 mV open drain	-	5.3	-	Ω
Q_g	Total gate charge	$V_{DD} = 1200\text{ V}$, $I_D = 4\text{ A}$, $V_{GS} = 10\text{ V}$ (see Figure 19)	-	44	-	nC
Q_{gs}	Gate-source charge			6.9		nC
Q_{gd}	Gate-drain charge			23.8		nC

1. Pulsed: Pulse duration = 300 μs , duty cycle 1.5%
2. $C_{oss\text{ eq.}}$ is defined as a constant equivalent capacitance giving the same charging time as C_{oss} when V_{DS} increases from 0 to 80% V_{DSS}

Table 7. Switching times

Symbol	Parameter	Test conditions	Min.	Typ.	Max.	Unit
$t_{d(on)}$	Turn-on delay time	V = 800 V, I = 1.25 A, R _G = 4.8 Ω, V _{GS} = 10 V		26		ns
t_r	Rise time			51		ns
$t_{d(off)}$	Turn-off-delay time		-	48	-	ns
t_f	Fall time			69		ns

Table 8. Source drain diode

Symbol	Parameter	Test conditions	Min.	Typ.	Max.	Unit
I _{SD}	Source-drain current				4	A
I _{SDM} (1)	Source-drain current (pulsed)		-		10	A
V _{SD} (2)	Forward on voltage	I _{SD} = 4 A, V _{GS} = 0	-		1.63	V
t_{rr}	Reverse recovery time	I _{SD} = 4 A, di/dt = 100 A/μs V _{DD} = 60 V		390		ns
Q _{rr}	Reverse recovery charge			2.2		μc
I _{RRM}	Reverse recovery current		-	12.6		A
t_{rr}	Reverse recovery time	I _{SD} = 4 A, di/dt = 100 A/μs V _{DD} = 60 V, T _j = 150 °C		510		ns
Q _{rr}	Reverse recovery charge			3.8		μc
I _{RRM}	Reverse recovery current		-	13.2		A

1. Pulse width limited by safe operating area
2. Pulsed: pulse duration = 300 μs, duty cycle 1.5%

2.1 Electrical characteristics (curves)

Figure 2. Safe operating area for TO-3PH

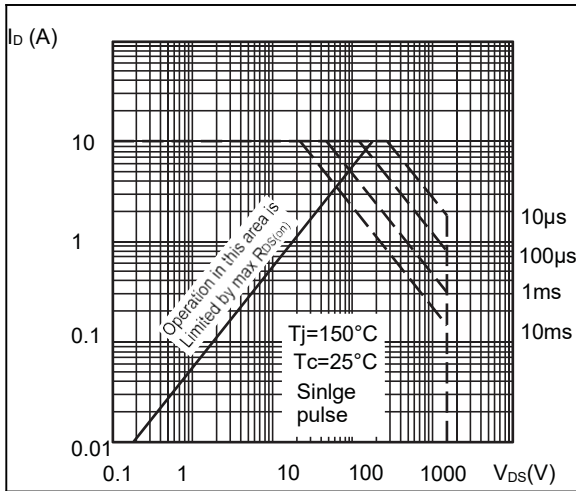


Figure 3. Thermal impedance for TO-3PH

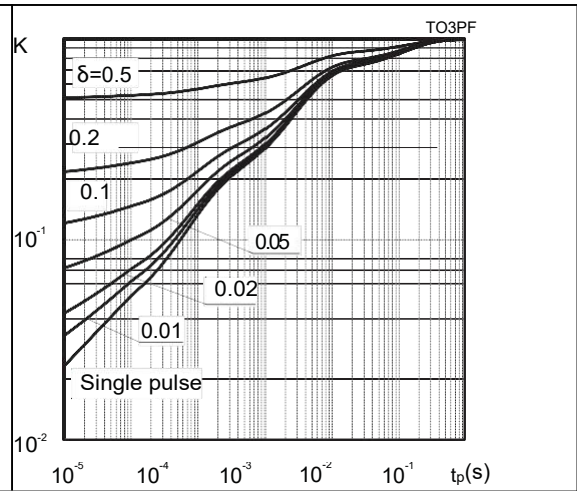


Figure 4. Safe operating area for TO-220

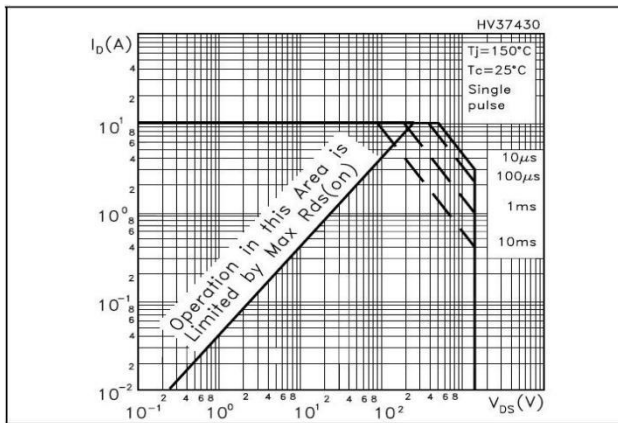


Figure 5. Thermal impedance for TO-220

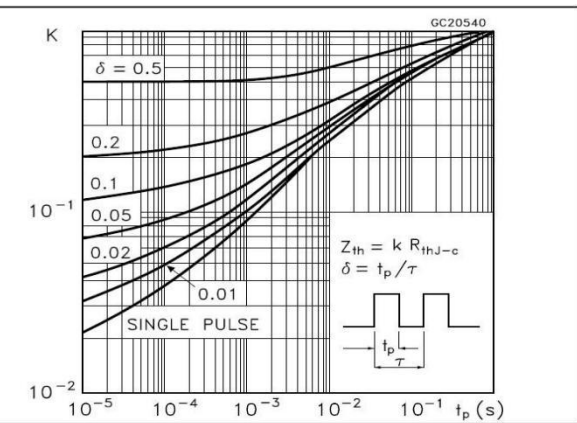


Figure 6. Safe operating area for TO-247

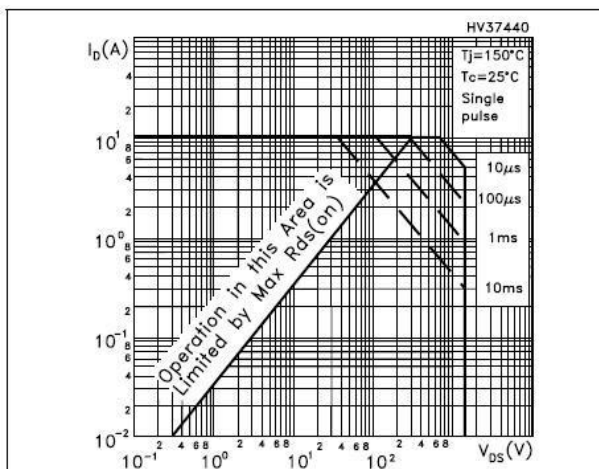


Figure 7. Thermal impedance for TO-247

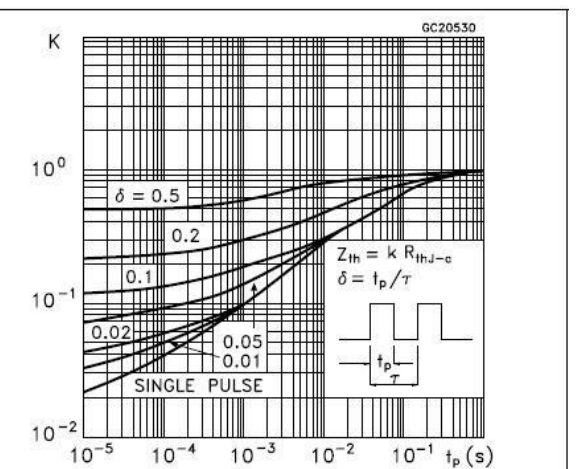


Figure 8. Output characteristics

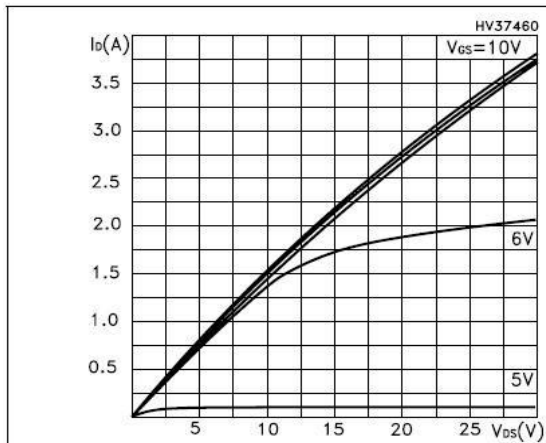


Figure 9. Transfer characteristics

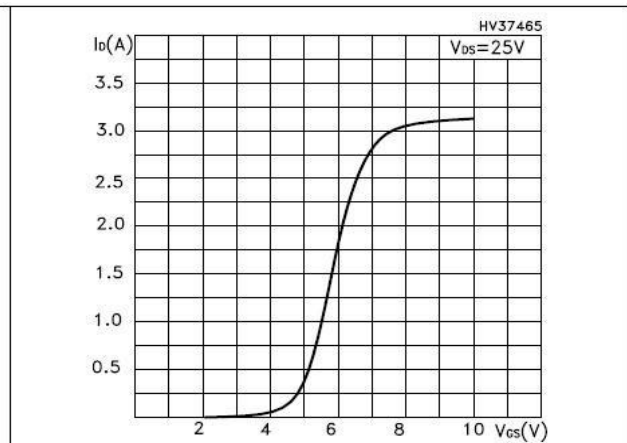


Figure 10. Normalized BV_{DSS} vs. temperature

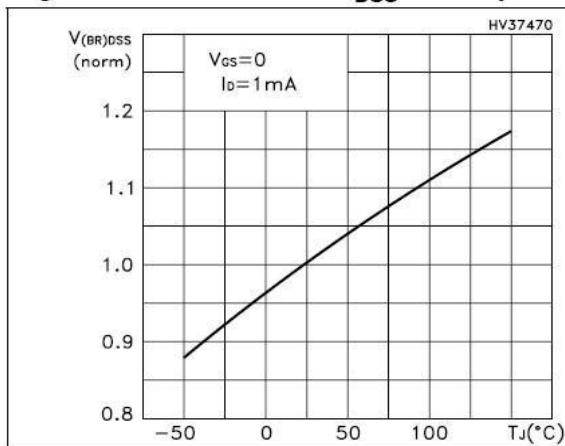


Figure 11. Static drain-source on resistance

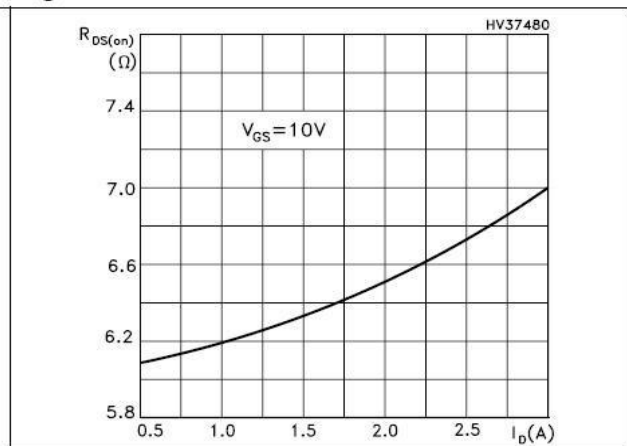


Figure 12. Gate charge vs. gate-source voltage

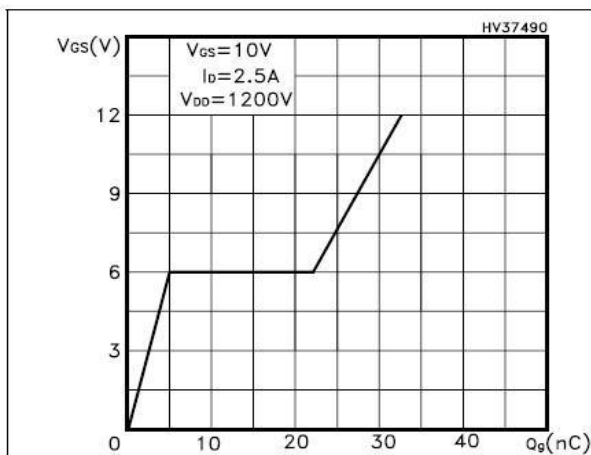


Figure 13. Capacitance variations

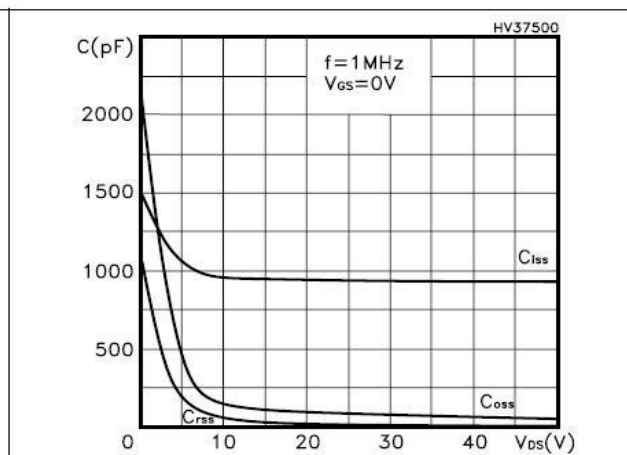


Figure 14. Normalized gate threshold voltage vs. temperature

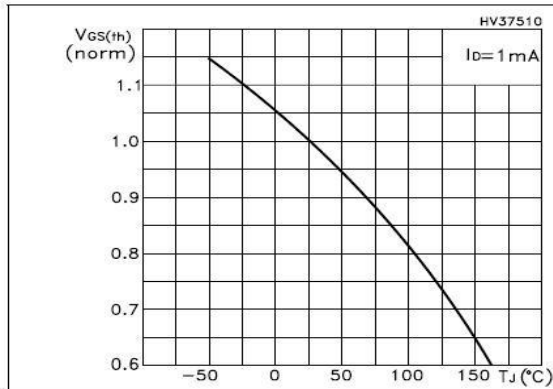


Figure 15. Normalized on resistance vs. temperature

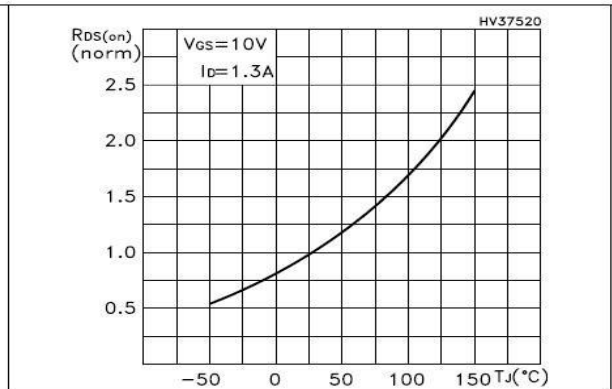


Figure 16. Source-drain diode forward characteristics

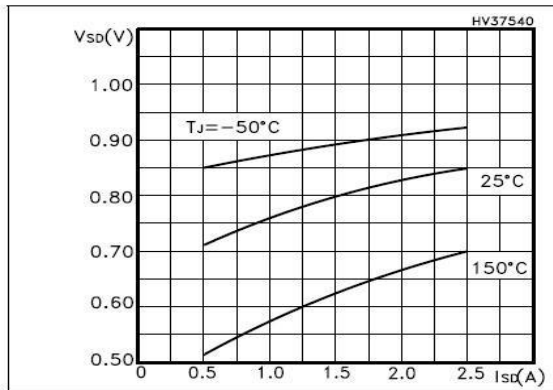
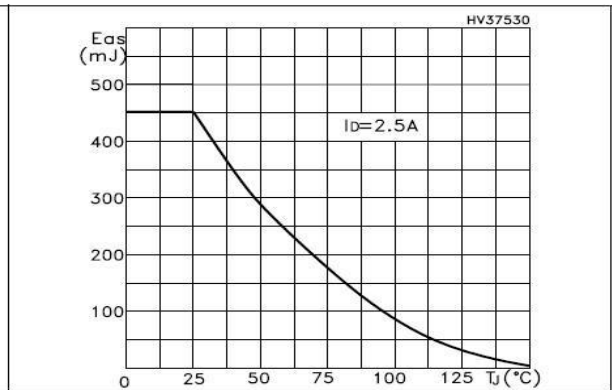


Figure 17. Maximum avalanche energy vs Tj



3 Test circuits

Figure 18. Switching times test circuit for resistive load

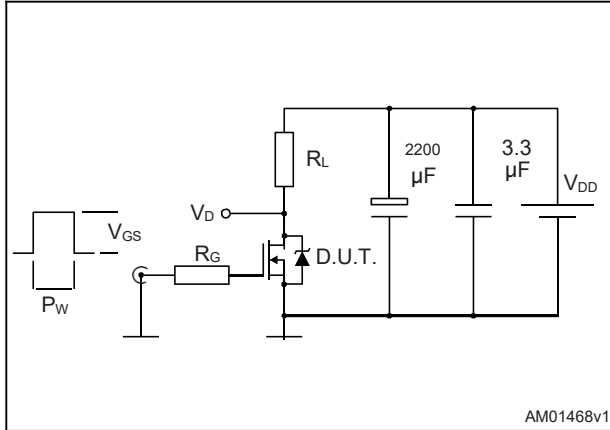


Figure 19. Gate charge test circuit

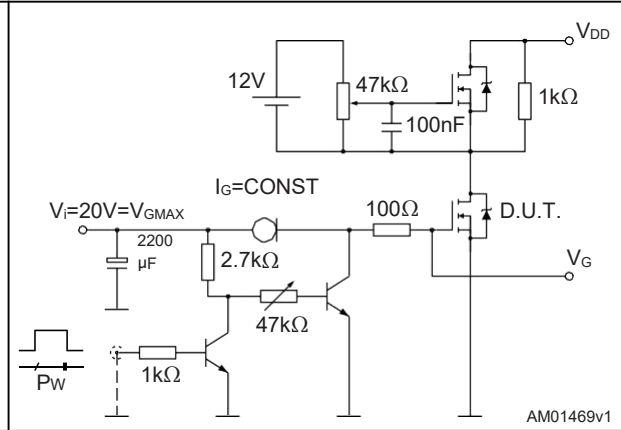


Figure 20. Test circuit for inductive load switching and diode recovery times

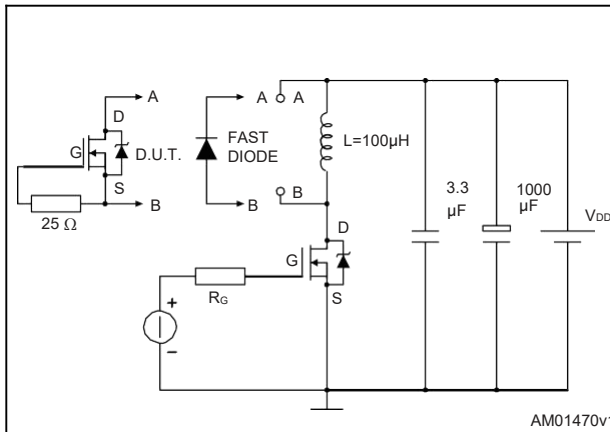


Figure 21. Unclamped inductive load test circuit

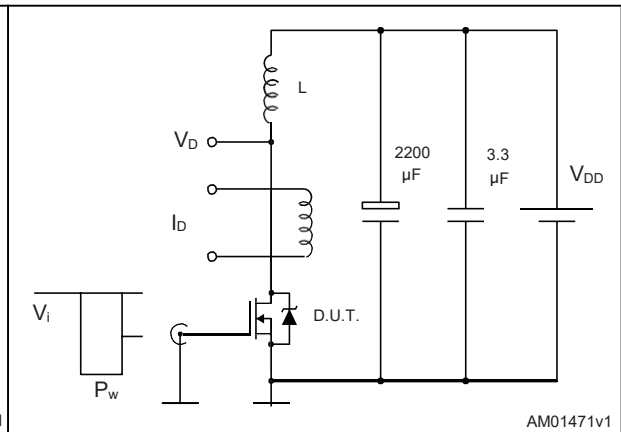


Figure 22. Unclamped inductive waveform

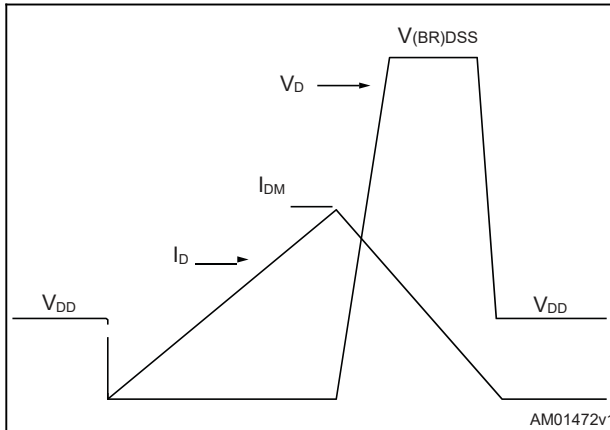
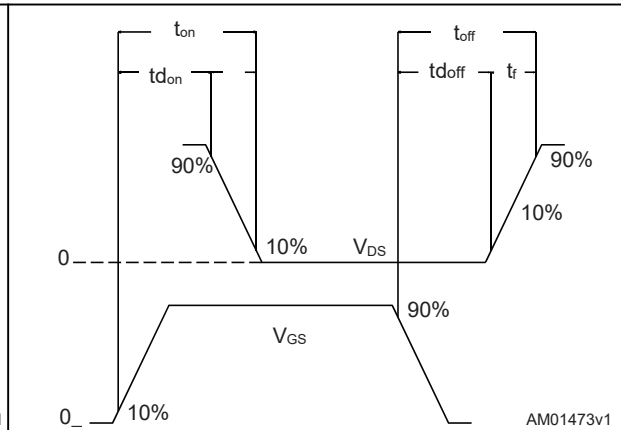


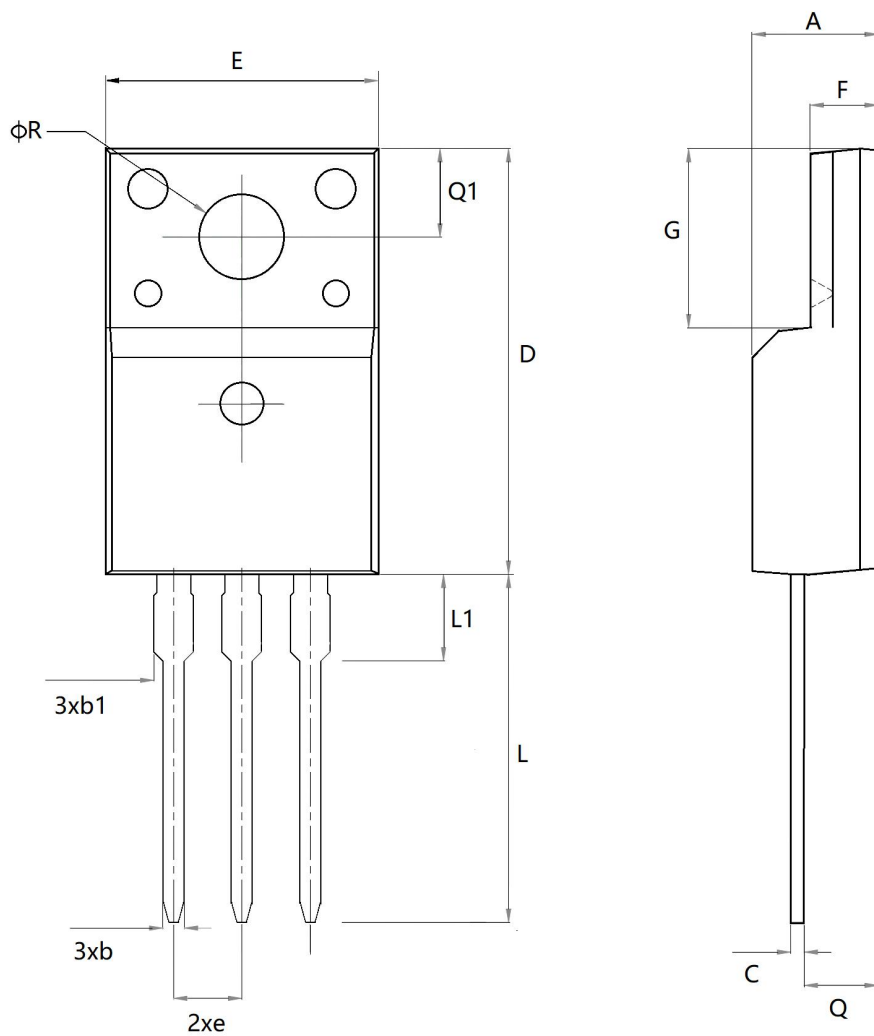
Figure 23. Switching time waveform



4 Package mechanical data

TO-220F mechanical

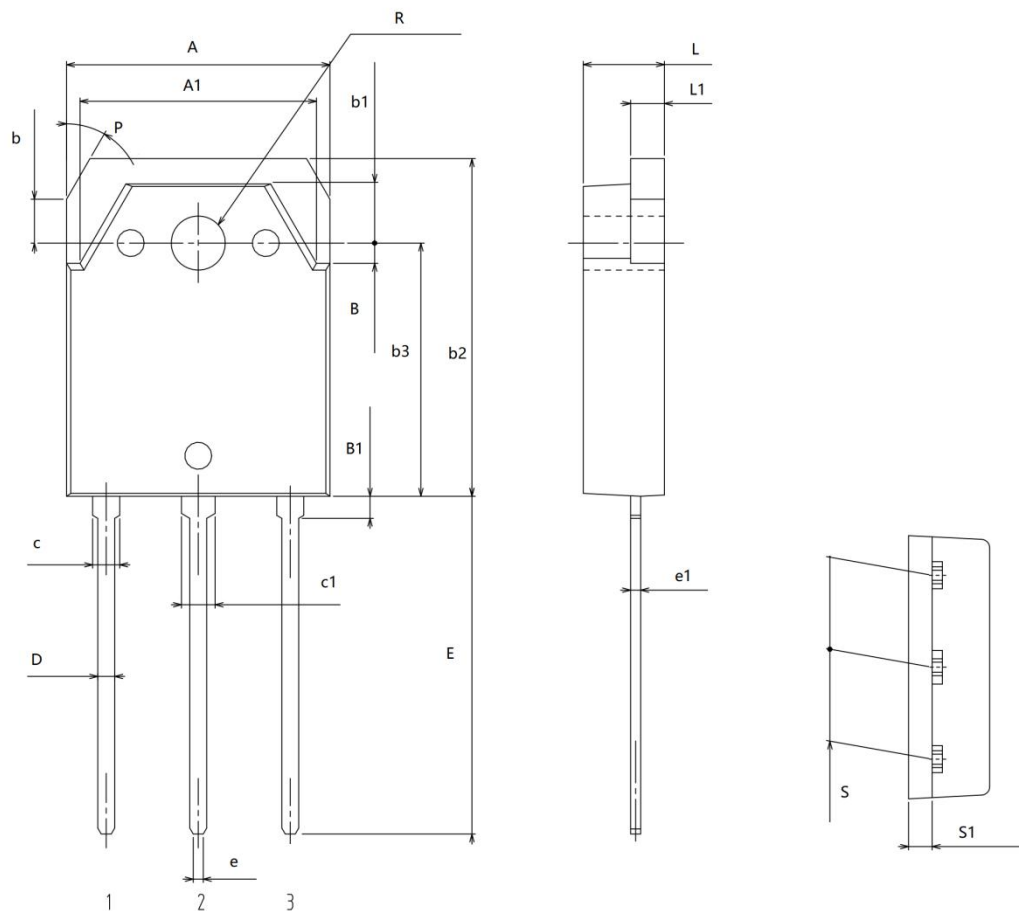
DIM.	mm.		
	min.	typ	max.
A	4.52		4.82
C	0.45		0.6
D	15.67		15.97
Q1	3.20		3.41
E	10.01		10.36
F	2.34		2.74
L	12.78		13.18
G	6.48		6.88
L1	3.23		3.43
R		3.18	



Package mechanical data

TO-3PB Mechanical data

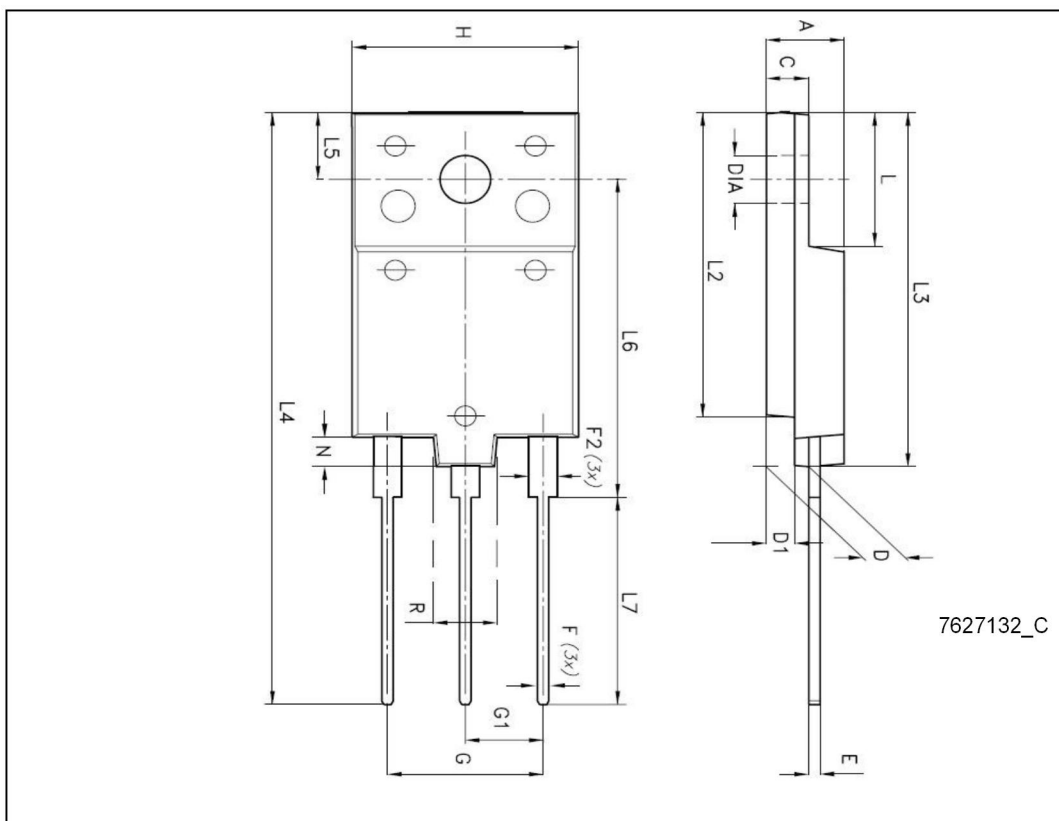
Dim	mm.		
	Min	Typ	Max
A	15.3	15.6	15.9
A1	13.8	14	14.2
b	2.4	2.6	2.8
b1	3.3	3.5	3.7
b2	19.7	20	20.3
b3	14.7	15	15.3
B	1	0.2	1.4
B1	1	1.3	1.6
c	1.3	1.6	1.9
c1	1.7	2	2.3
D	0.9	1	1.3
E	19.5	20	20.5
e	0.4	0.6	0.8
e1	-	0.6	-
L	4.6	4.8	5
L1	1.8	2	2.2
P	30°		
R	-	3.2	-
S	-	5.45	-
S1	-	1.41	-



Package mechanical data

TO-3PH mechanical data

DIM.	mm.		
	min.	typ	max.
A	5.30		5.70
C	2.80		3.20
D	3.10		3.50
D1	1.80		2.20
E	0.80		1.10
F	0.65		0.95
F2	1.80		2.20
G	10.30		11.50
G1		5.45	
H	15.30		15.70
L	9.80	10	10.20
L2	22.80		23.20
L3	26.30		26.70
L4	43.20		44.40
L5	4.30		4.70
L6	24.30		24.70
L7	14.60		15
N	1.80		2.20
R	3.80		4.20
Dia	3.40		3.80

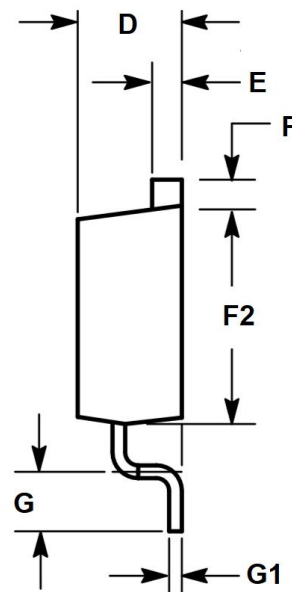
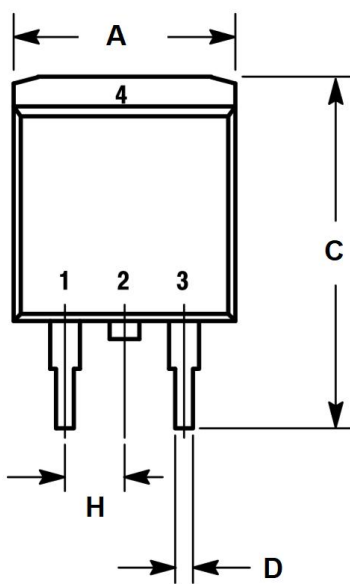


Package mechanical data

TO-263 mechanical data

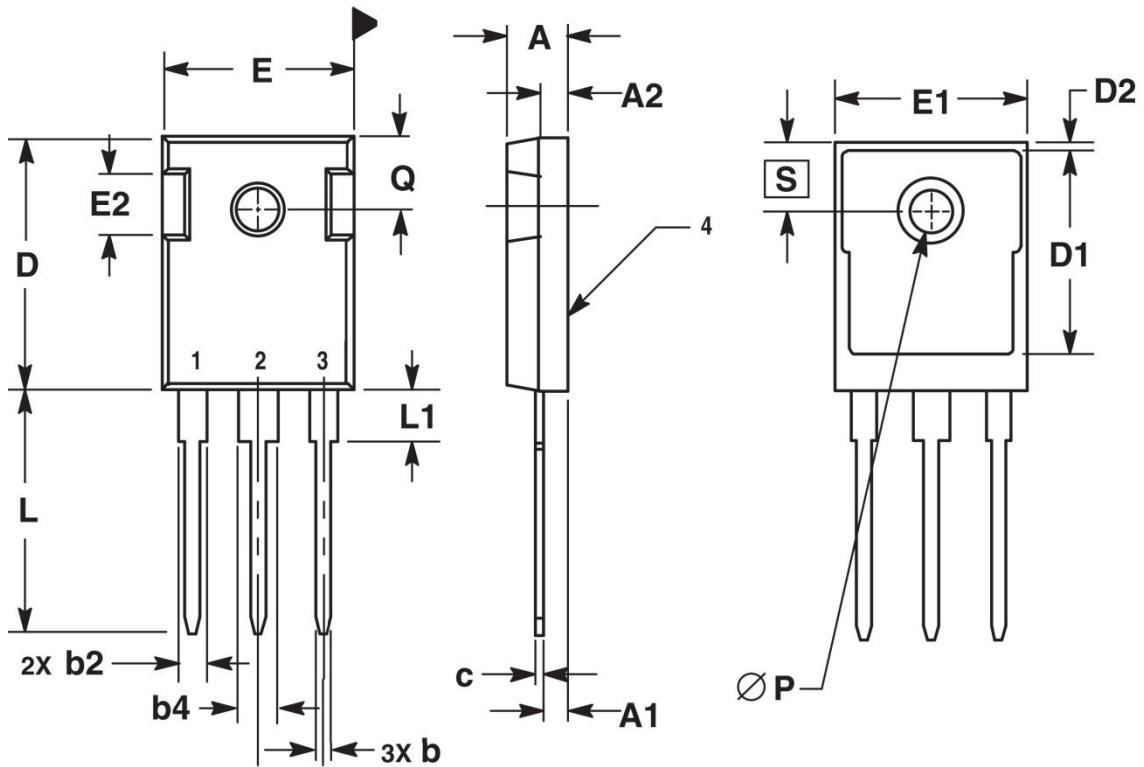
DIM.	mm.		
	min.	typ	max.
A	9.65		10.29
C	14.6		15.88
D	0.51		0.92
D1	4.06		4.83
E	1.14		1.40
F	1.14		1.40
F2	8.64		9.64
G	2.29		2.79
G1	0.46		0.64
H		2.54BSC	

TO-263/D2PAK



TO-247 mechanical data

DIM.	mm.		
	min.	typ	max.
A	4.7		5.31
A1	2.21		2.59
A2	1.5		2.49
b	1		1.4
b2	1.65		2.39
b4	2.59		3.43
c	0.38		0.89
D	20.8		21.46
D1	13.08		-
D2	0.51		1.35
E	15.49		16.26
E1	13.46		-
E2	4.32		5.49
e	5.46BSC		
L	19.81		20.32
L1	-		4.5
P	3.56		3.66
Q	5.38		6.2
S	6.15BSC		



X-ON Electronics

Largest Supplier of Electrical and Electronic Components

Click to view similar products for [MOSFET](#) category:

Click to view products by [MASPOWER](#) manufacturer:

Other Similar products are found below :

[IRFD120](#) [IRFY240C](#) [JANTX2N5237](#) [BUK455-60A/B](#) [MIC4420CM-TR](#) [VN1206L](#) [NDP4060](#) [SI4482DY](#) [IPS70R2K0CEAKMA1](#)
[SQD23N06-31L-GE3](#) [TK16J60W,S1VQ\(O](#) [2SK2614\(TE16L1,Q\)](#) [DMN1017UCP3-7](#) [EFC2J004NUZTDG](#) [DMN1053UCP4-7](#) [SQJ469EP-](#)
[T1-GE3](#) [NTE2384](#) [DMC2700UDMQ-7](#) [DMN2080UCB4-7](#) [DMN61D9UWQ-13](#) [US6M2GTR](#) [DMN31D5UDJ-7](#) [DMP22D4UFO-7B](#)
[DMN1006UCA6-7](#) [DMN16M9UCA6-7](#) [STF5N65M6](#) [IRF40H233XTMA1](#) [STU5N65M6](#) [DMN6022SSD-13](#) [DMN13M9UCA6-7](#)
[DMTH10H4M6SPS-13](#) [DMN2990UFB-7B](#) [IPB80P04P405ATMA2](#) [2N7002W-G](#) [MCAC30N06Y-TP](#) [MCQ7328-TP](#) [NTMC083NP10M5L](#)
[NVMFS2D3P04M8LT1G](#) [BXP7N65D](#) [BXP4N65F](#) [AOL1454G](#) [WMJ80N60C4](#) [BXP2N20L](#) [BXP2N65D](#) [BXT1150N10J](#) [BXT1700P06M](#)
[TSM60NB380CP](#) [ROG](#) [RQ7L055BGTCR](#) [DMNH15H110SK3-13](#) [SLF10N65ABV2](#)