



# Mounting Bezel

---

Including BEZ-202C-V1 and BEZ-204A-V1

**Technical Manual**

Revision 1.0

## Revision History

Revision	Date	Description	Author
1.0	March 31, 2014	Initial Release	Simon

# Contents

- 1 Introduction ..... 1
- 2 Physical Description ..... 3
  - 2.1 Size ..... 3
  - 2.2 Material..... 5
- 3 Versions..... 6
  - 3.1 -KIT ..... 6
  - 3.2 -OEM ..... 6
- 4 Mounting..... 7
- 5 Contact..... 9



## 1 Introduction



*Figure 1: BEZ-202C-V1*



*Figure 2: BEZ-204A-V1*

The Bezel and Mounting Kit is a system to mount Matrix Orbital displays while providing a clean and visually pleasing appearance. It is made from injection molded plastic, with threaded brass inserts allowing easy attachment and removal of the bezel and display. A clear plastic window is included to protect the display.

Each bezel is available in two versions; a kit including all required mounting hardware, and an OEM version which includes only the bezel and window.

There are several sizes available, each of which fits a different size of display.

Sizes currently available include:

Bezel	Compatible Displays
BEZ-202C-V1	LK/VK202-25 LK/VK202-25-USB MOS/MOI/MOU-AL/AV202C MOP-AL/AV202C Many other industry LCDs with 108mm x 29mm mounting holes
BEZ-204A-V1	LCD/VFD2041 LK/VK204-25 LK/VK204-25-USB MOP-AL/AV204A GLK12232-25-FGW/WB Many other industry LCDs with 93mm x 55mm mounting holes

# 2 Physical Description

## 2.1 Size

Figure 3: Bez-202C-V1 Dimensions

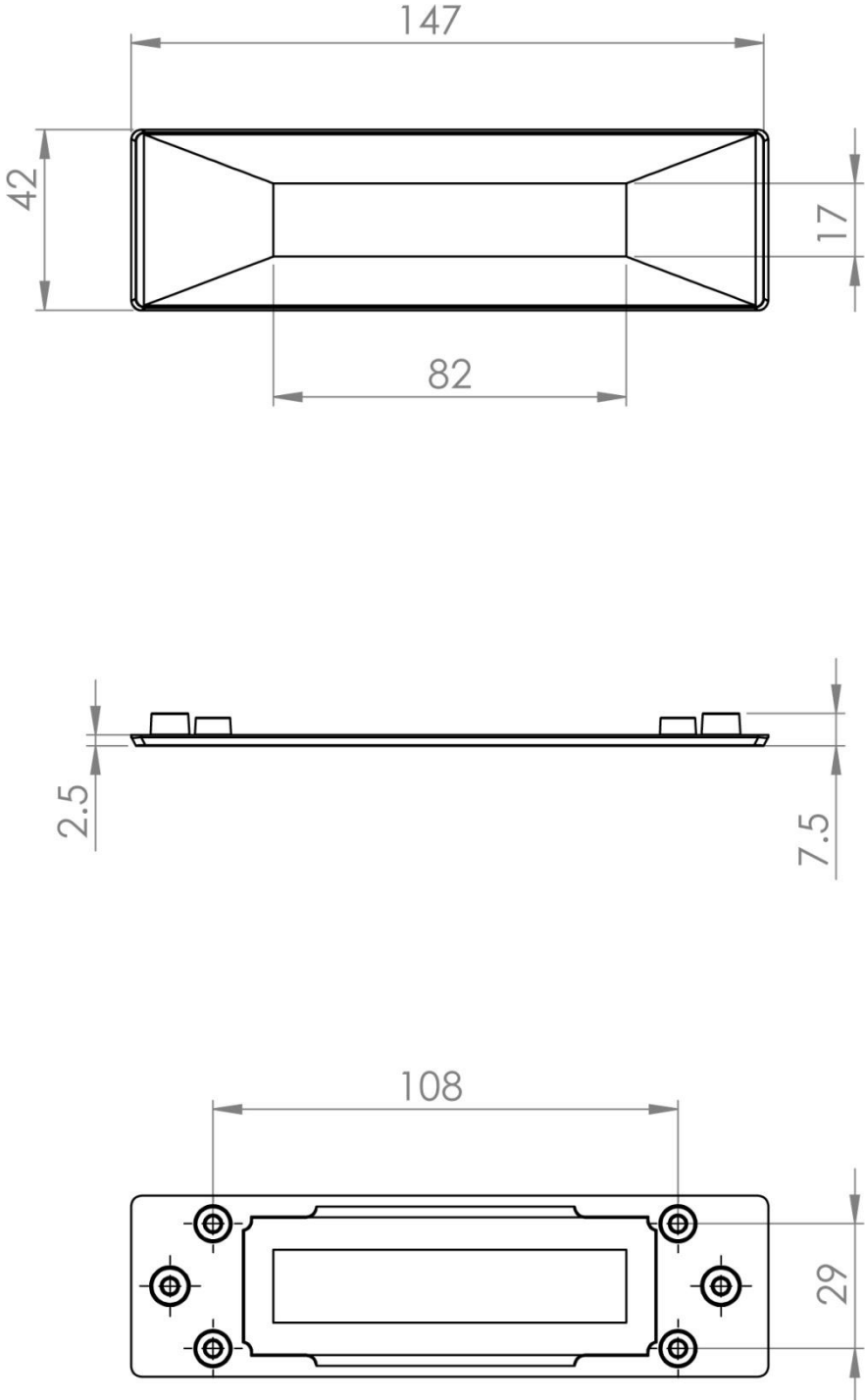
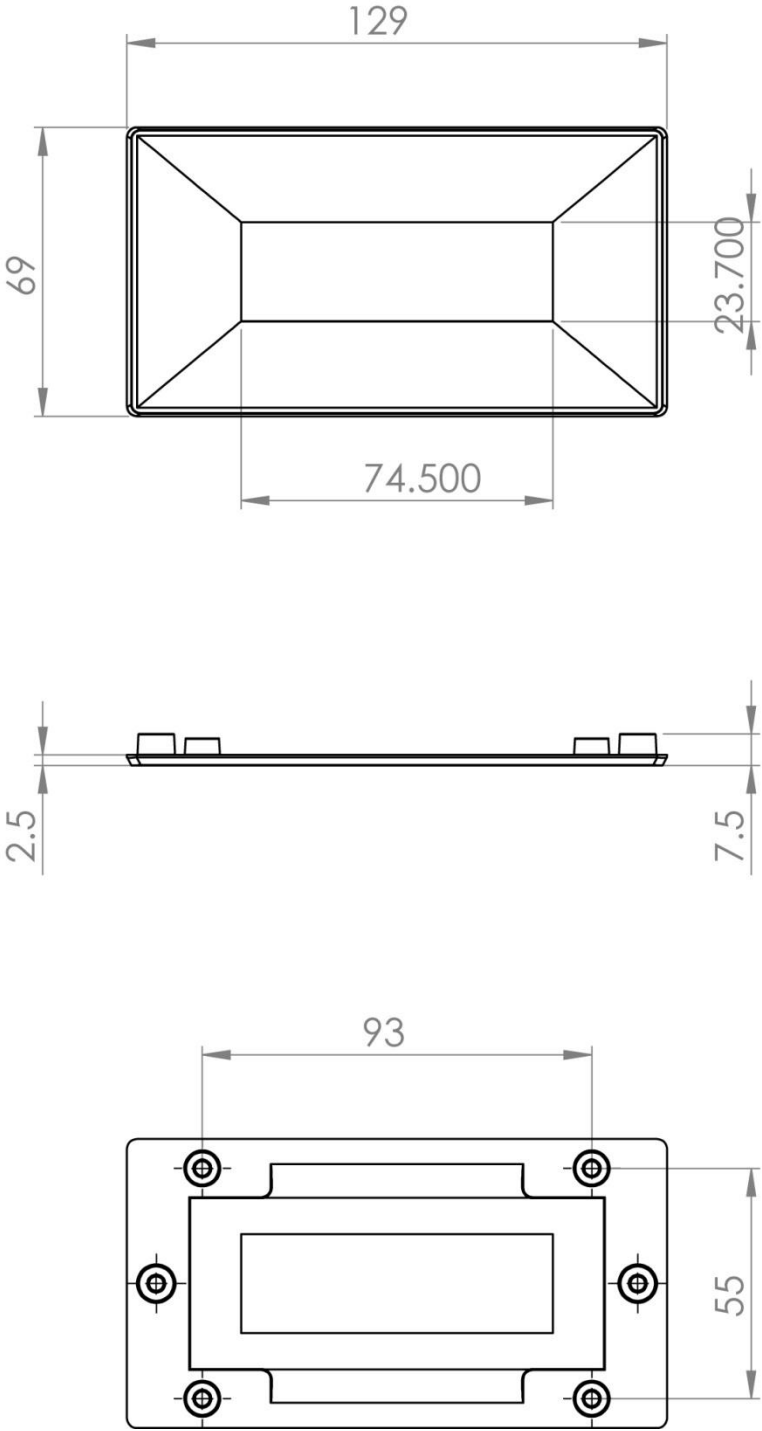


Figure 4: Bez-204A-V1 Dimensions





## 2.2 Material

The bezel is made from injection molded ABS plastic. The pre-installed threaded inserts are brass. The window is polycarbonate, with 3M 9795MP adhesive. The screws are steel. The cup washers and spacers are nylon.

## 3 Versions

### 3.1 -KIT

The kit version of the bezel includes the bezel, instructions, and all required mounting hardware.

Description	No. Included
Bezel	1
Clear window with adhesive	1
Cup Washer	2
4-40 x 1/8 machine screw	2
4-40 x 5/8 machine screw	4
4-40 x 3/8 machine screw	4
6mm nylon spacer	4
Cut out guide sticker	1
Instruction Sheet	1

### 3.2 -OEM

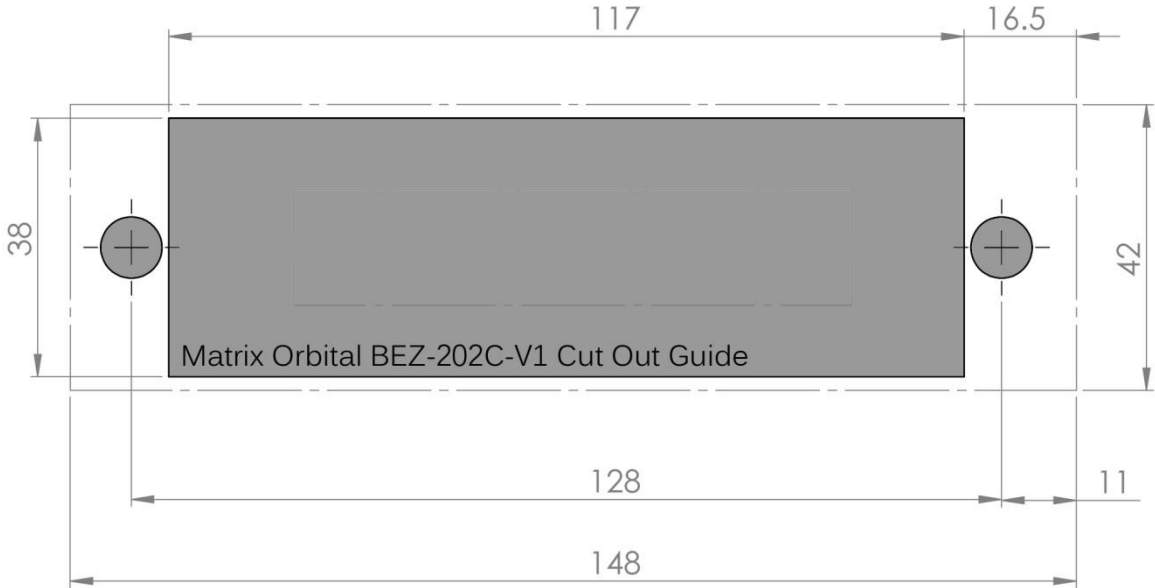
The OEM version of the bezel includes the bezel and window only.

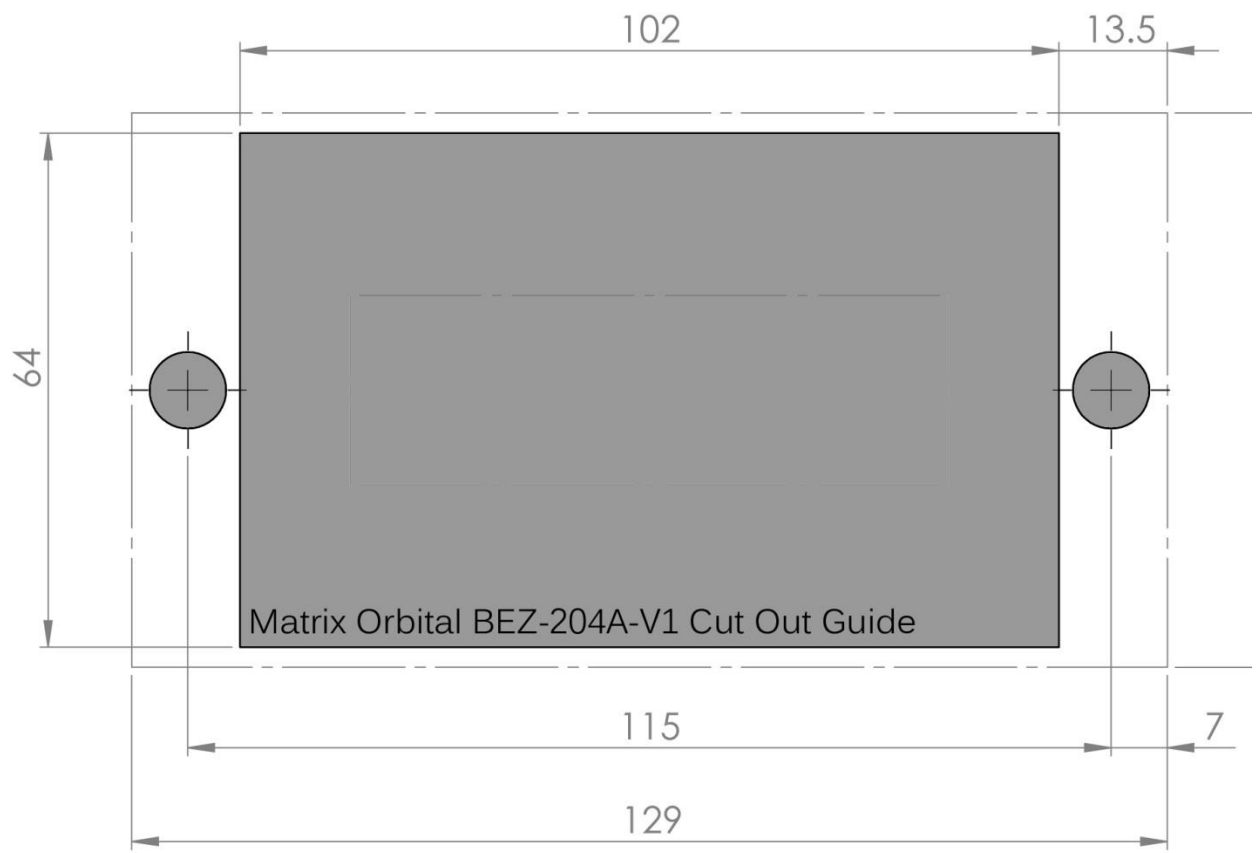
Description	No. Included
Bezel	1
Window with adhesive	1

# 4 Mounting

For detailed mounting instructions, please refer to the instruction booklet included with the kit version of the bezel, or available at [www.matrixorbital.ca](http://www.matrixorbital.ca)

See below for cut out guides. Please ensure proper size by using the guides available at [www.matrixorbital.ca](http://www.matrixorbital.ca)





## 5 Contact

### Sales

Phone: 403.229.2737

Email: [sales@matrixorbital.ca](mailto:sales@matrixorbital.ca)

### Support

Phone: 403.204.3750

Email: [support@matrixorbital.ca](mailto:support@matrixorbital.ca)

### Online

Purchasing: [www.matrixorbital.com](http://www.matrixorbital.com)

Support: [www.matrixorbital.ca](http://www.matrixorbital.ca)

## X-ON Electronics

Largest Supplier of Electrical and Electronic Components

*Click to view similar products for [LCD Character Display Modules & Accessories](#) category:*

*Click to view products by [Matrix Orbital](#) manufacturer:*

Other Similar products are found below :

[HG9Z-AC501](#) [HG9Z-SCI25B](#) [LCM-S01602DTRA-3](#) [HG9Z-XC213](#) [EA FL-10P](#) [MDLS-81809-LV-GLED4G](#) [MDLS-20265-LV-GLED4G](#)  
[NMTC-S16205DFYHSAY-22](#) [NHD-0420AZ-FSW-GBW-33V33-0](#) [CM1644-SGR1](#) [162A BC BW](#) [LCM-S02002DSM-Y](#) [162D BA BC](#)  
[HDM24216H-2-P9XS](#) [DEM 16207 SYH-PY](#) [RC0802A1-LLG-JWVE](#) [RC0802A1-LLR-JWVE](#) [RC0802A-TIW-ESV](#) [RC1202A-BIY-CSX](#)  
[RC1202A-BIY-ESX](#) [RC1602A-BIW-CSV](#) [RC1602A-YHW-CSV](#) [RC1602B-GHY-CSXD](#) [RC1602B-TIW-CSV](#) [RC1602B-YHY-CSVD](#)  
[RC1602D-GHY-ESX](#) [RC2002A2-LLB-JSVE](#) [RC2002A-GHG-CSV](#) [RC2004A-BIW-ESX](#) [RC2004A-GHW-CSV](#) [RC2004A-LLB-JSVE](#)  
[RC2004A-LLH-JSV](#) [RC2004A-LLR-JSVE](#) [DEM 08171 SYH-LY](#) [DEM 08172 SYH-PY](#) [DEM16101SYH-LY](#) [DEM 16209 SBH-PW-N](#)  
[DEM 16210 SGH](#) [DEM 16214 FGH-PW](#) [DEM 16216 FDH-P\(RGB\)-N](#) [DEM16216SYH-LY](#) [DEM 16217 SYH-PY](#) [DEM 16221 SYH](#) [DEM](#)  
[16221 SYH \(FFCF/TR\)/V](#) [DEM 16227 FGH-PW](#) [DEM 16227 SBH-PW-N](#) [DEM 16227 SYH-LY](#) [DEM 20231 SYH-PY-CYR22](#) [DEM 20232](#)  
[SBH-PW-N](#) [DEM 20233 SYH-LY](#)