



MOP-AL204A

Parallel Display Specifications

Revision 1.0

Revision History

| Revision | Description | Author |
|----------|-----------------|--------|
| 1.0 | Initial Release | Clark |

Contents

| | |
|------------------------------|----|
| Revision History | 1 |
| Contents | 2 |
| Features | 3 |
| Hardware | 3 |
| Drawing | 3 |
| Interface | 3 |
| Instructions | 4 |
| Outline | 4 |
| Instruction Table | 5 |
| Character ROM | 6 |
| Character RAM | 7 |
| Timing Characteristics | 7 |
| Initialization | 8 |
| Specifications | 9 |
| Electrical | 9 |
| Optical | 9 |
| Environmental | 9 |
| Troubleshooting | 10 |
| Power | 10 |
| Display | 10 |
| Communication | 10 |
| Precautions | 10 |
| Ordering | 11 |
| Part Numbering Scheme | 11 |
| Options | 11 |
| Contact | 11 |

Features

The Matrix Orbital Parallel display series offers a low cost display solution utilizing an industry standard communication interface for simple integration into a wide variety of new and existing applications. The Light Emitting Diode backlight with configurable brightness and voltage controlled contrast allows the MOP Liquid Crystal Display line to offer a professional display solution with low power impact for any project. The standard alphanumeric font set also allows up to eight custom characters to be saved in display Random Access Memory for a custom design touch.

Hardware

Drawing

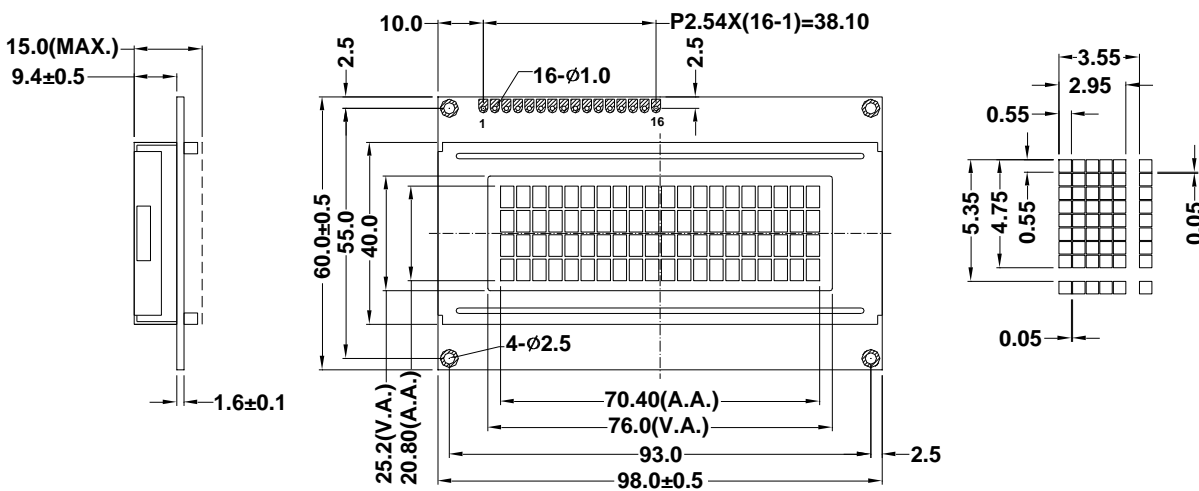


Figure 1: MOP-AL204A Mechanical Drawing

Interface

Table 1: Display Control

| Pin | Symbol | Description |
|-----|-----------------|-----------------------------------|
| 1 | V _{SS} | Ground |
| 2 | V _{DD} | Supply Voltage for Logic |
| 3 | V ₀ | Supply Voltage for LCD (Contrast) |
| 4 | RS | Register Select |
| 5 | R/W | Read/Write |
| 6 | CE | Chip Enable |
| 15 | LED(+) | Anode of LED Backlight |
| 16 | LED(-) | Cathode of LED Backlight |

Table 2: Parallel Data

| Pin | Symbol | Description |
|-----|--------|-------------|
| 7 | DB0 | *Data bit 0 |
| 8 | DB1 | *Data bit 1 |
| 9 | DB2 | *Data bit 2 |
| 10 | DB3 | *Data bit 3 |
| 11 | DB4 | Data bit 4 |
| 12 | DB5 | Data bit 5 |
| 13 | DB6 | Data bit 6 |
| 14 | DB7 | Data bit 7 |

*Note: Not used in 4-bit mode

Instructions

Outline

The MOP line is controlled using a standard HD44780 compliant controller. The display is enabled by pulling the Chip Enable (CE) pin high, communication to and from the device is controlled using the Read/Write (R/W) input, and one of two available 8-bit registers are selected via the Register Select (RS) line. Using Register Select, either the Instruction Register (IR) or Data Register (DR) is selected by toggling RS low or high respectively.

While executing from the IR, the display will pull the Most Significant Bit of the data bus, DB7, high. While this Busy Flag (BF) is set, any instructions sent to the unit will be ignored. The status of this flag and the current position of the Address Counter (AC) can be obtained by performing a read operation on the instruction register at any time.

Table 3: Register Selection

| RS | R/W | Operation |
|----|-----|---|
| 0 | 0 | IR write as an internal operation (display clear, etc.) |
| 0 | 1 | Read busy flag (DB7) and address counter (DB0 to DB6) |
| 1 | 0 | Write data to DDRAM or CGRAM (DR to DDRAM or CGRAM) |
| 1 | 1 | Read data from DDRAM or CGRAM (DDRAM or CGRAM to DR) |

When writing for the DR, one of two locations can be chosen using the AC. The value provided to the AC when executing a set address command differentiates these locations. The AC is automatically decremented or incremented after a read or a write.

DDRAM provides eighty bytes of display memory to all displays. Memory outside the bounds of the display area can be used as general RAM. DDRAM addressing begins at the top left of the display with a value of 0, addresses then increment from left to right then down once a row is filled.

Table 4: One Line Addressing

| Position | 1 | 2 | ... | 80 |
|---------------|----|----|-----|----|
| DDRAM Address | 00 | 01 | ... | 4F |

Table 5: Two Line Addressing

| Position | 1 | 2 | ... | 40 |
|---------------|----|----|-----|----|
| DDRAM Address | 00 | 01 | ... | 27 |
| Address | 40 | 41 | ... | 67 |

Table 6: Four Line Addressing

| Position | 1 | 2 | ... | 20 |
|---------------|----|----|-----|----|
| DDRAM Address | 00 | 01 | ... | 13 |
| | 40 | 41 | ... | 53 |
| | 14 | 15 | ... | 27 |
| | 54 | 55 | ... | 67 |

CGRAM provides eight custom characters that can be created by writing to CGRAM locations then displayed using the first eight CGROM character codes, as seen in the character ROM table below.

Characters are sent to the display by performing a write operation on the DR using the correct character address within CGROM. Instructions are issued by writing to the IR; a complete list is available below.

Instruction Table

Table 7: Parallel Instruction Table

| Instruction | Instruction Code | | | | | | | | | | Description | | |
|----------------------------|------------------|-----|-----|-----|-----|-----|-----|-----|-----|-----|---|--|--|
| | RS | R/W | DB7 | DB6 | DB5 | DB4 | DB3 | DB2 | DB1 | DB0 | | | |
| Clear Display | 0 | 0 | 0 | 0 | 0 | 0 | 0 | 0 | 0 | 1 | Write "20H" to all DDRAM locations, set DDRAM address to "00H", return cursor to its original position, and set I/D to "1". | | |
| Return Home | 0 | 0 | 0 | 0 | 0 | 0 | 0 | 0 | 0 | 1 | — | Set DDRAM address to "00H" and return cursor to its original position if shifted. The contents of DDRAM are not changed. | |
| Entry Mode Set | 0 | 0 | 0 | 0 | 0 | 0 | 0 | 0 | 1 | I/D | SH | Assign cursor moving direction and enable the shift of entire display. DDRAM and CGRAM addresses are incremented and cursor moves right when I/D is set to "1", the opposite is true when reset to "0". Setting SH to "1" causes the entire display to shift affecting only DDRAM. | |
| Display ON/OFF Control | 0 | 0 | 0 | 0 | 0 | 0 | 0 | 1 | D | C | B | Set display (D), cursor (C), and blinking of cursor (B) on/off control bit. Setting D, C, or B to "1" will cause the display, underline cursor, or blinking cursor to turn on, the opposite is true for reset. | |
| Cursor or Display Shift | 0 | 0 | 0 | 0 | 0 | 0 | 1 | S/C | R/L | — | — | Set cursor moving and display shift control bit, and the direction, without changing of DDRAM data. Setting S/L to "1" will shift the screen horizontally while the opposite will move the cursor through all screen positions. Setting R/L to "1" will shift right immediately. AC and DDRAM are not altered. | |
| Function Set | 0 | 0 | 0 | 0 | 0 | 1 | DL | N | F | — | — | Set interface data length, numbers of display line and, display font type. Setting DL to "1" specifies 8-bit mode, "0" 4-bit. Setting N to "1" permits a multi-line display, "0" a single. Resetting F to "0" indicates a 5x8 dot character. | |
| Set CGRAM Address | 0 | 0 | 0 | 1 | AC5 | AC4 | AC3 | AC2 | AC1 | AC0 | — | — | Set CGRAM address in address counter. |
| Set DDRAM Address | 0 | 0 | 1 | AC6 | AC5 | AC4 | AC3 | AC2 | AC1 | AC0 | — | — | Set DDRAM address in address counter. |
| Read Busy Flag and Address | 0 | 1 | BF | AC6 | AC5 | AC4 | AC3 | AC2 | AC1 | AC0 | — | — | Read the status of the display controller through the BF Bit. The contents of address counter can also be read. |
| Write Data to RAM | 1 | 0 | D7 | D6 | D5 | D4 | D3 | D2 | D1 | D0 | — | — | Write data into internal RAM (DDRAM/CGRAM), location is determined by the AC. AC and display shift are adjusted as specified. |
| Read Data from RAM | 1 | 1 | D7 | D6 | D5 | D4 | D3 | D2 | D1 | D0 | — | — | Read data from internal RAM (DDRAM/CGRAM), location is determined by the AC, set command is recommended previous to this. Only AC is adjusted. |

Character ROM

The character generator ROM stores up to two hundred fifty-six 5×8 dot character patterns from 8-bit character codes. The first eight characters are reserved for custom characters saved in CGRAM.

| Upper 4 bit Lower 4 bit | LLLL | LLLH | LLHL | LLHH | LHLL | LHLH | LHHL | LHHH | HLLL | HLLH | HLHL | HLHH | HHLL | HHLH | HHHL | HHHH |
|----------------------------------|------|------|------|------|------|------|------|------|------|------|------|------|------|------|------|------|
| LLLL | ☐ | ☐ | ☐ | ☐ | ☐ | ☐ | ☐ | ☐ | ☐ | ☐ | ☐ | ☐ | ☐ | ☐ | ☐ | ☐ |
| LLLH | ☐ | ☐ | ☐ | ☐ | ☐ | ☐ | ☐ | ☐ | ☐ | ☐ | ☐ | ☐ | ☐ | ☐ | ☐ | ☐ |
| LLHL | ☐ | ☐ | ☐ | ☐ | ☐ | ☐ | ☐ | ☐ | ☐ | ☐ | ☐ | ☐ | ☐ | ☐ | ☐ | ☐ |
| LLHH | ☐ | ☐ | ☐ | ☐ | ☐ | ☐ | ☐ | ☐ | ☐ | ☐ | ☐ | ☐ | ☐ | ☐ | ☐ | ☐ |
| LHLL | ☐ | ☐ | ☐ | ☐ | ☐ | ☐ | ☐ | ☐ | ☐ | ☐ | ☐ | ☐ | ☐ | ☐ | ☐ | ☐ |
| LHLH | ☐ | ☐ | ☐ | ☐ | ☐ | ☐ | ☐ | ☐ | ☐ | ☐ | ☐ | ☐ | ☐ | ☐ | ☐ | ☐ |
| LHHL | ☐ | ☐ | ☐ | ☐ | ☐ | ☐ | ☐ | ☐ | ☐ | ☐ | ☐ | ☐ | ☐ | ☐ | ☐ | ☐ |
| LHHH | ☐ | ☐ | ☐ | ☐ | ☐ | ☐ | ☐ | ☐ | ☐ | ☐ | ☐ | ☐ | ☐ | ☐ | ☐ | ☐ |
| HLLL | ☐ | ☐ | ☐ | ☐ | ☐ | ☐ | ☐ | ☐ | ☐ | ☐ | ☐ | ☐ | ☐ | ☐ | ☐ | ☐ |
| HLLH | ☐ | ☐ | ☐ | ☐ | ☐ | ☐ | ☐ | ☐ | ☐ | ☐ | ☐ | ☐ | ☐ | ☐ | ☐ | ☐ |
| HLHL | ☐ | ☐ | ☐ | ☐ | ☐ | ☐ | ☐ | ☐ | ☐ | ☐ | ☐ | ☐ | ☐ | ☐ | ☐ | ☐ |
| HLHH | ☐ | ☐ | ☐ | ☐ | ☐ | ☐ | ☐ | ☐ | ☐ | ☐ | ☐ | ☐ | ☐ | ☐ | ☐ | ☐ |
| HHLL | ☐ | ☐ | ☐ | ☐ | ☐ | ☐ | ☐ | ☐ | ☐ | ☐ | ☐ | ☐ | ☐ | ☐ | ☐ | ☐ |
| HHLH | ☐ | ☐ | ☐ | ☐ | ☐ | ☐ | ☐ | ☐ | ☐ | ☐ | ☐ | ☐ | ☐ | ☐ | ☐ | ☐ |
| HHHL | ☐ | ☐ | ☐ | ☐ | ☐ | ☐ | ☐ | ☐ | ☐ | ☐ | ☐ | ☐ | ☐ | ☐ | ☐ | ☐ |
| HHHH | ☐ | ☐ | ☐ | ☐ | ☐ | ☐ | ☐ | ☐ | ☐ | ☐ | ☐ | ☐ | ☐ | ☐ | ☐ | ☐ |

Figure 2: European Character Set

Character RAM

CGRAM allows the creation of up to eight 5x8 character patterns. Eight bytes are assigned to each character address, the least significant five bits of which represent the five pixel columns. Pixels are activated by setting the bit in CGRAM to “1”.

Each character has eight addresses in CGRAM corresponding to each of its eight pixel rows. The highest three bits represent the character address in DDRAM. The lowest three bits of this address represent the row positions beginning with 0 at the top. The last row will be logically OR'd with the cursor when it is active.

Finally, each character can be referenced in DDRAM and written to the screen using its eight bit address.

Table 8: Relationship between CGRAM Addresses, Character Codes (DDRAM Data) and Character Patterns (CGRAM Data)

| Character Codes (DDRAM data) | | | | | | | | CGRAM Address | | | | Character Patterns (CGRAM data) | | | | | | | | | | | | | | | |
|------------------------------|---|---|---|-----|---|---|---|---------------|---|---|---|---------------------------------|---|---|---|-------------|---|---|---|-----------------------|---|--|--|-----------------|--|--|--|
| 7 | 6 | 5 | 4 | 3 | 2 | 1 | 0 | 5 | 4 | 3 | 2 | 1 | 0 | 7 | 6 | 5 | 4 | 3 | 2 | 1 | 0 | | | | | | |
| High | | | | Low | | | | High | | | | Low | | | | High | | | | Low | | | | | | | |
| 0 0 0 0 * 0 0 0 | | | | | | | | 0 0 0 | | | | * * * | | | | 1 1 1 1 0 | | | | Character pattern (1) | | | | | | | |
| | | | | | | | | | | | | * * * | | | | 1 0 0 0 1 | | | | | | | | | | | |
| | | | | | | | | | | | | * * * | | | | 0 0 1 0 | | | | | | | | | | | |
| | | | | | | | | | | | | * * * | | | | 0 1 1 1 | | | | | | | | | | | |
| | | | | | | | | | | | | * * * | | | | 1 0 1 0 | | | | | | | | | | | |
| | | | | | | | | | | | | * * * | | | | 1 1 0 1 | | | | | | | | | | | |
| | | | | | | | | | | | | * * * | | | | 1 1 1 1 | | | | | | | | | | | |
| | | | | | | | | | | | | * * * | | | | * * * | | | | | | | | 0 0 0 0 0 | | | |
| 0 0 0 0 * 0 0 1 | | | | | | | | 0 0 1 | | | | * * * | | | | 1 0 0 0 1 | | | | Character pattern (2) | | | | | | | |
| | | | | | | | | | | | | * * * | | | | 0 1 0 1 0 | | | | | | | | | | | |
| | | | | | | | | | | | | * * * | | | | 0 1 1 1 1 | | | | | | | | | | | |
| | | | | | | | | | | | | * * * | | | | 0 0 1 0 0 | | | | | | | | | | | |
| | | | | | | | | | | | | * * * | | | | 1 1 1 1 1 | | | | | | | | | | | |
| | | | | | | | | | | | | * * * | | | | 0 0 1 0 0 | | | | | | | | | | | |
| | | | | | | | | | | | | * * * | | | | 0 0 0 1 0 0 | | | | | | | | | | | |
| | | | | | | | | | | | | * * * | | | | 0 0 0 0 0 0 | | | | | | | | Cursor position | | | |
| 0 0 0 0 * 1 1 1 | | | | | | | | 1 1 1 | | | | * * * | | | | 1 0 0 0 | | | | | | | | | | | |
| | | | | | | | | | | | | * * * | | | | 1 0 1 1 | | | | | | | | | | | |
| | | | | | | | | | | | | * * * | | | | 1 1 0 0 | | | | | | | | | | | |
| | | | | | | | | | | | | * * * | | | | 1 1 1 1 | | | | | | | | | | | |
| | | | | | | | | | | | | * * * | | | | * * * | | | | | | | | | | | |
| | | | | | | | | | | | | * * * | | | | * * * | | | | | | | | | | | |
| | | | | | | | | | | | | * * * | | | | * * * | | | | | | | | | | | |
| | | | | | | | | | | | | * * * | | | | * * * | | | | | | | | | | | |

Note: * Indicates no effect.

Timing Characteristics

Table 9: Read and Write Operation Specifications

| Item | Symbol | Write | | | Read | | | Unit |
|------------------------------------|------------------|-------|-----|-----|------|-----|-----|------|
| | | Min | Typ | Max | Min | Typ | Max | |
| Enable cycle time | t_{cycE} | 1200 | — | — | 1200 | — | — | ns |
| Enable pulse width (high level) | PW_{EH} | 140 | — | — | 140 | — | — | ns |
| Enable rise/fall time | t_{Er}, t_{Ef} | — | — | 25 | — | — | 25 | ns |
| Address set-up time (RS, R/W to E) | t_{AS} | 0 | — | — | 0 | — | — | ns |
| Address hold time | t_{AH} | 10 | — | — | 10 | — | — | ns |
| Data set-up time | t_{DS} | 40 | — | — | — | — | 100 | ns |
| Data hold time | t_H | 10 | — | — | 10 | — | — | ns |

Conditions: $T_a=25^\circ\text{C}$, $V_{DD}=5.0 \pm 0.5\text{V}$

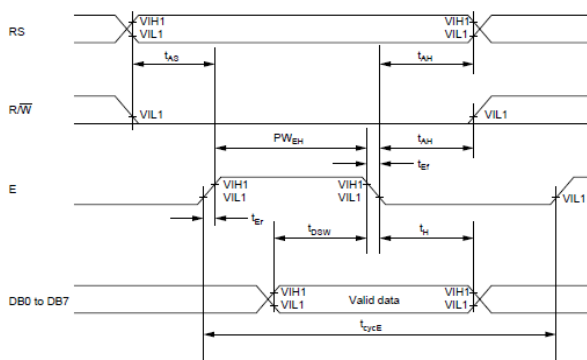


Figure 3: Write Timing Waveform

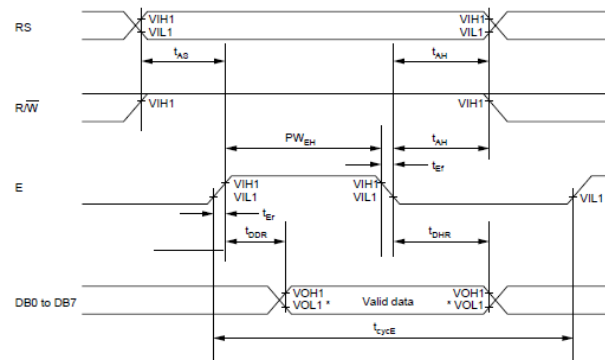


Figure 4: Read Timing Waveform

Initialization

Before beginning any application, it is recommended that all display settings be initialized. Below are algorithms for initializing the display in both 8-bit and 4-bit communication modes.

Before the first wait condition, please allow V_{CC} to rise to 2.7V then wait 40ms. During the three function set commands that follow, note that the busy flag cannot be checked; it becomes available in the last block. The unit will always expect a total of 8 bits to be sent, so note the structure used in four bit mode. The last initialization block will set the number of lines and character font as specified, turn the display off, issue the display clear command, and finally set the entry mode as desired.

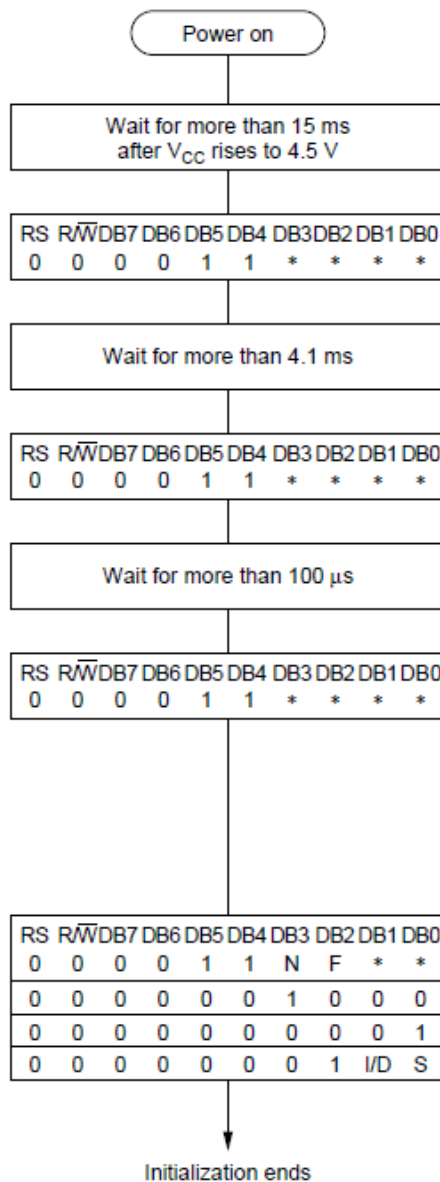


Figure 5: 8-bit Initialization

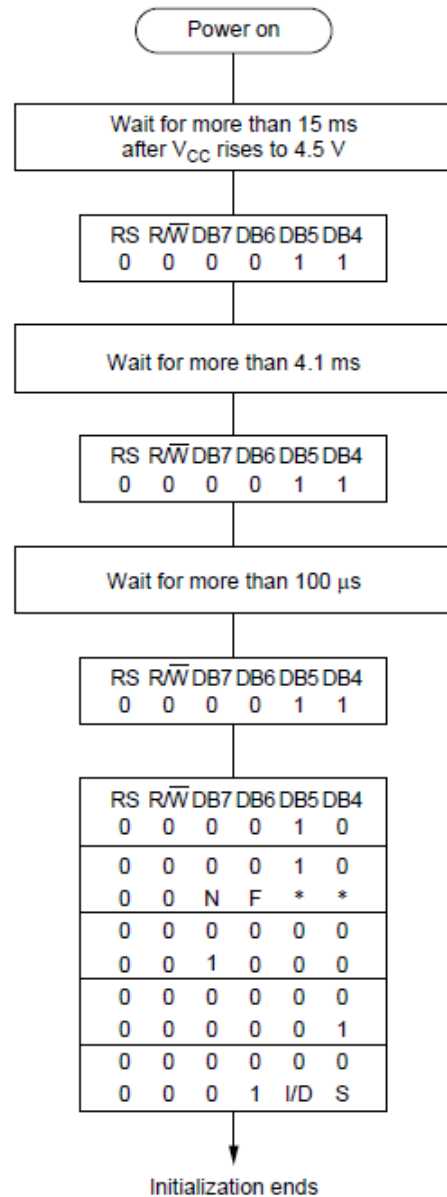


Figure 6: 4-bit Initialization

Note: * Indicates do not care condition.

Specifications

Electrical

Table 10: Electrical Characteristics

| Item | Symbol | Min | Typ | Max | Unit |
|---|-----------|--------------|------|--------------|------|
| Supply Voltage For Logic | V_{DD} | 4.5 | 5.0 | 5.5 | V |
| Supply Voltage For LCD (Contrast) | V_0 | -13.5 | — | V_{DD} | V |
| Input High Voltage | V_{IH} | $0.7 V_{DD}$ | — | V_{DD} | V |
| Input Low Voltage | V_{IL} | V_{SS} | — | $0.3 V_{DD}$ | V |
| Supply Current ($V_{DD}=5V$) | I_{DD} | 0.7 | 1.75 | 1.5 | mA |
| Supply Voltage of Red Backlight (36 Die) | V_{LED} | 3.5 | 3.9 | 4.1 | V |
| Supply Current of Red Backlight (36Die) | I_{LED} | 0 | — | 180 | mA |
| Supply Voltage of Yellow-Green Backlight (36 Die) | V_{LED} | 4.0 | 4.2 | 4.4 | V |
| Supply Current of Yellow-Green Backlight (36 Die) | I_{LED} | 0 | — | 180 | mA |
| Supply Voltage of White Backlight (2 Die) | V_{LED} | 3.8 | 4.0 | 4.2 | V |
| Supply Current of White Backlight (2 Die) | I_{LED} | 0 | — | 30 | mA |

Optical

Table 11: Display Characteristics

| Item | Dimension | Unit |
|----------------------|-------------------------|------|
| Number of Characters | 20 Characters x 4 Lines | — |
| Module dimension | 98.0 x 60.0 x 15.0 | mm |
| View area | 76.0 x 25.2 | mm |
| Active area | 70.40 x 20.80 | mm |
| Character size | 2.95 x 4.75 | mm |
| Character pitch | 3.55 x 5.35 | mm |
| Dot size | 0.55 x 0.55 | mm |
| Dot pitch | 0.60 x 0.60 | mm |
| LCD type | STN | |
| Duty | 1/16 | |
| View direction | 12 o'clock | |

Table 12: Viewing Characteristics

| Item | Symbol | Min | Typ | Max | Unit |
|----------------|--------------|-----|-----|-----|------|
| View Angle | (V) θ | -20 | — | 35 | deg |
| | (H) ϕ | -30 | — | 30 | deg |
| Contrast Ratio | CR | — | 3 | — | — |
| Response Time | T rise | — | — | 250 | ms |
| | T fall | — | — | 250 | ms |

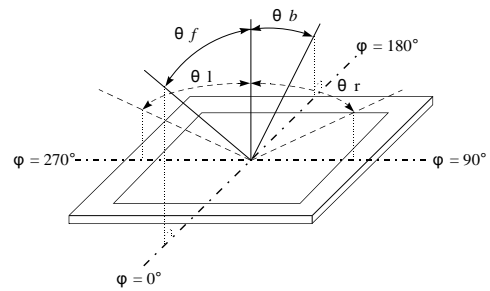


Figure 7: Viewing Angle Definition

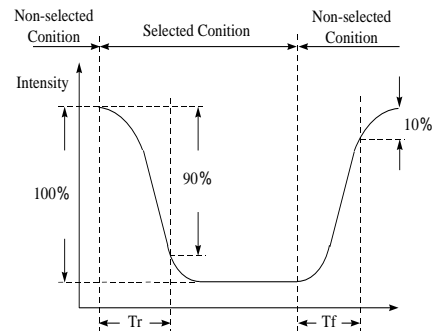


Figure 8: Display Response Time

Environmental

Table 13: Environmental Specifications

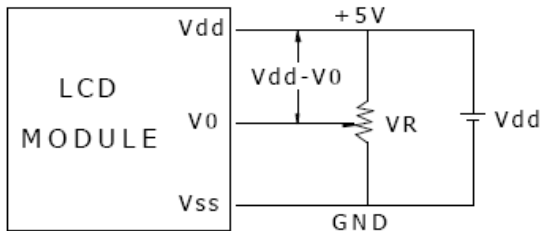
| Item | Symbol | Min | Max | Unit |
|-----------------|--------|-----|-----|------|
| Operating Temp. | Top | -20 | 70 | °C |
| Storage Temp. | Tstr | -30 | 80 | °C |

Note: Maximum 90% non-condensing humidity.

Troubleshooting

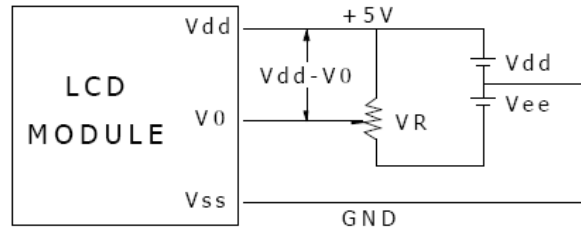
Power

For your MOP Display to function correctly, appropriate power must be applied, often as indicated by the backlight illuminating or a darkening of the character spaces. Please refer to the power diagram below and reference all voltages to the specifications provided.



Vdd-V0: LCD Driving Voltage
VR: 10K - 20K

Figure 9: Single Supply Configuration



Vdd-V0: LCD Driving Voltage
VR: 10K - 20K

Figure 10: Dual Supply Configuration

Display

If your display is powered successfully, the backlight or contrast should be evident. A lack of text could be the result of a high contrast voltage, lower V_0 . Also, ensure the expected DDRAM addresses are shown by moving the display to the home position.

Communication

When communication of either text or commands is interrupted, check all data and control pins for continuity. Ensure the display has been initialized correctly before sending information using the appropriate initialization algorithm. For 4-bit mode ensure D4-D7 are used. Finally, slow down communication and refer to timing diagrams and specifications for proper control flow.

Precautions

- Do not make extra holes on the display, modify its shape, or change the components.
- Avoid applying excessive electrical shock to the module.
- Do not drop, bend, twist, or disassemble the display.
- Avoid operation outside absolute maximum ratings.
- Solder only to the I/O terminals provided.
- Store in an anti-static container within a clean environment.

Ordering

Part Numbering Scheme

Table 14: Parallel Part Numbering Scheme

| | | | | | | | | | | | | | | | |
|------------|----------|----------|-----------|----------|----------|----------|----------|----------|----------|----------|----------|----------|----------|----------|----------|
| MOP | A | L | 20 | 4 | A | B | G | F | W | 2 | 5 | E | 3 | I | N |
| 1 | 2 | 3 | 4 | 5 | 6 | 7 | 8 | 9 | 10 | 11 | 12 | 13 | 14 | 15 | 16 |

Options

Table 15: Parallel Part Options

| # | Designator | Options |
|----|-----------------------------|---|
| 1 | Product Line | MOP: Matrix Orbital Parallel Display |
| 2 | Display Type | A: Alphanumeric |
| 3 | Screen Type | L: Liquid Crystal Display |
| 4 | Display Columns | 8: Eight Character Columns 16: Sixteen Character Columns 20: Twenty Character Columns 24: Twenty-Four Character Columns 40: Forty Character Columns |
| 5 | Display Rows | 2: Two Character Rows 4: Four Character Rows |
| 6 | Display Form Factor | A: A Form Factor B: B Form Factor C: C Form Factor F: F Form Factor |
| 7 | IC Package | B: Chip on Board |
| 8 | LCD Glass Type | B: STN Positive Blue F: FFSTN Negative G: STN Positive Grey T: FSTN Negative W: FSTN Positive Y: STN Positive Yellow |
| 9 | Polarizer Style | F: Transflective T: Transmissive |
| 10 | Backlight Colour | R: Red Y: Yellow-Green W: White |
| 11 | Viewing Angle | 1: 6:00 2: 12:00 |
| 12 | Controller | 5: S6A0069 Compatible |
| 13 | Character Set | E: European J: Japanese |
| 14 | Input Voltage | 3: 5.0V |
| 15 | Temperature Range | I: Industrial |
| 16 | Negative Voltage Generation | N: None Provided |

Contact

Sales

Phone: 403.229.2737

Email: sales@matrixorbital.ca

Support

Phone: 403.204.3750

Email: support@matrixorbital.ca

Online

Purchasing: www.matrixorbital.com

Support: www.matrixorbital.ca

X-ON Electronics

Largest Supplier of Electrical and Electronic Components

Click to view similar products for [LCD Character Display Modules & Accessories](#) category:

Click to view products by [Matrix Orbital](#) manufacturer:

Other Similar products are found below :

[HG9Z-AC501](#) [HG9Z-SCI25B](#) [LCM-S01602DTRA-3](#) [HG9Z-XC213](#) [EA FL-10P](#) [MDLS-81809-LV-GLED4G](#) [MDLS-20265-LV-GLED4G](#)
[NMTC-S16205DFYHSAY-22](#) [NHD-0420AZ-FSW-GBW-33V33-0](#) [CM1644-SGR1](#) [162A BC BW](#) [LCM-S02002DSM-Y](#) [162D BA BC](#)
[HDM24216H-2-P9XS](#) [DEM 16207 SYH-PY](#) [RC0802A1-LLG-JWVE](#) [RC0802A1-LLR-JWVE](#) [RC0802A-TIW-ESV](#) [RC1202A-BIY-CSX](#)
[RC1202A-BIY-ESX](#) [RC1602A-BIW-CSV](#) [RC1602A-YHW-CSV](#) [RC1602B-GHY-CSXD](#) [RC1602B-TIW-CSV](#) [RC1602B-YHY-CSVD](#)
[RC1602D-GHY-ESX](#) [RC2002A2-LLB-JSVE](#) [RC2002A-GHG-CSV](#) [RC2004A-BIW-ESX](#) [RC2004A-GHW-CSV](#) [RC2004A-LLB-JSVE](#)
[RC2004A-LLH-JSV](#) [RC2004A-LLR-JSVE](#) [DEM 08171 SYH-LY](#) [DEM 08172 SYH-PY](#) [DEM16101SYH-LY](#) [DEM 16209 SBH-PW-N](#)
[DEM 16210 SGH](#) [DEM 16214 FGH-PW](#) [DEM 16216 FDH-P\(RGB\)-N](#) [DEM16216SYH-LY](#) [DEM 16217 SYH-PY](#) [DEM 16221 SYH](#) [DEM](#)
[16221 SYH \(FFCF/TR\)/V](#) [DEM 16227 FGH-PW](#) [DEM 16227 SBH-PW-N](#) [DEM 16227 SYH-LY](#) [DEM 20231 SYH-PY-CYR22](#) [DEM 20232](#)
[SBH-PW-N](#) [DEM 20233 SYH-LY](#)