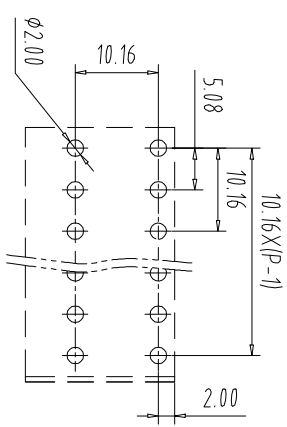
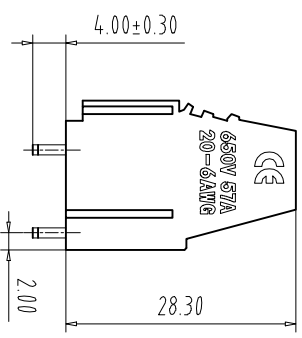
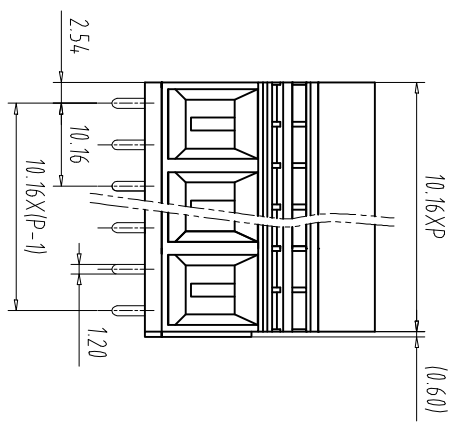
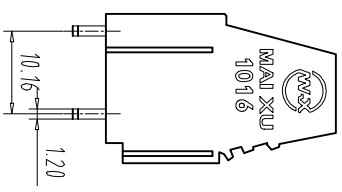
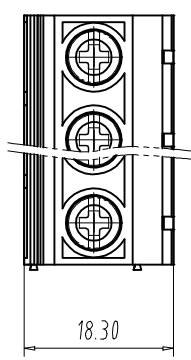


注：本板为禁止传输、复制、编辑文件，以及利用其内容建立链接

REV	ECN NO.	CONTENT	CHK	DATE



NOTES1:
UL Standard
1.Rating voltage/current: 650V/57A
2.withstanding voltage: AC1600V/1Min
3.Torque value: M4, 10.53Lb.in
4.Wire range: 20~6AWG

IEC Standard

1. Pollution Degree	3	2	2
Overvoltage Category	III	III	II
Rate Impulse Voltage(kV)	/	/	/
Rate Voltage(V)	/	630V	/
Rate Current(A)	/	57A	/

- 2. Torque value: M4, 1.2Nm
- 3. wire range: 10.00mm²

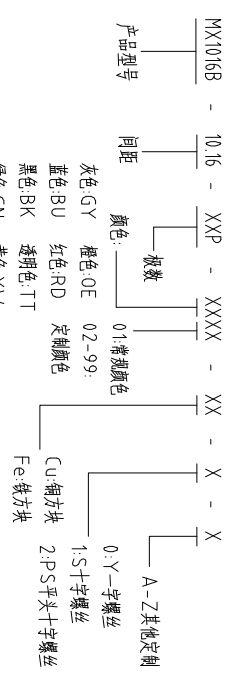
NOTES2:

- 1.Housing: PA66(UL94V-0)
- 2.Solder Pin: Brass(Sn Plated)
- 3.Lage: Steel(Zn Plated)
- 4.Screw: Steel(M4, Zn Plated)

NOTES3:

- 1.Pitch: 10.16mm Poles: 02-24P
- 2.Stripping length: 10mm
- 3.Operating temperature: -40℃~+105℃
- 4.RoHS Compliance

How to order



Pitch Range In mm	Nominal Dimension In mm	Range	Symbol
Over 6	Over 10	Over 30	0.1/10
TO 6	TO 10	TO 30	
Over 10	Over 24	Over 60	∠
TO 10	TO 24	TO 60	
Over 24	Over 30	Over 100	±2°
TO 24	TO 30	TO 100	
Over 30	Over 60	Over 150	
TO 30	TO 60	TO 150	

ITEM	NAME OF PART	NO. OF PART	Q'TY	MATERIAL	NOTE
DWG	CHK	DATE	UNITS	MM	SHEET/OF 1/1
APP	DATE	SCALE	SCALE	1:1	A4
CIXI MAIXU ELECTRONICS CO.,LTD			NAME	MX1016B-10.16-XXP	
慈溪市迈旭电子有限公司			DWGNO.		

X-ON Electronics

Largest Supplier of Electrical and Electronic Components

Click to view similar products for [Fixed Terminal Blocks](#) category:

Click to view products by [MAX](#) manufacturer:

Other Similar products are found below :

[MBE-1512](#) [MBE-1520](#) [MBE-154](#) [MBE-156](#) [MBES-156](#) [MH-2512](#) [MHE-132](#) [MHE-163](#) [MI-254 \(35\)](#) [MI-272](#) [MPT-275](#) [15602-04-08-21](#)
[ELM10110G](#) [BA311TU](#) [BA411SU](#) [MV-254-D](#) [MV-255](#) [MV-493](#) [MVE-252](#) [MVE-253](#) [MVEB-153](#) [1705142](#) [1712417](#) [1713088](#) [1745195](#)
[1760594](#) [1-796689-8](#) [1800114](#) [20020314-C121B01LF](#) [KP03215000J0G](#) [KP04215000J0G](#) [S451](#) [29.007](#) [29.116](#) [30.204](#) [30.503](#) [30.756](#)
[30.853](#) [996750](#) [1710052](#) [1777707](#) [1-796692-3](#) [20020316-G071B01LF](#) [20020327-C061B01LF](#) [29590](#) [30.652](#) [30.710](#) [30.754](#) [30.757](#) [32.058](#)