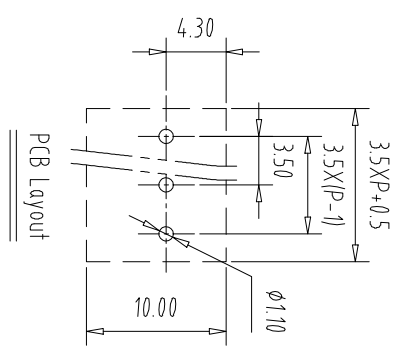
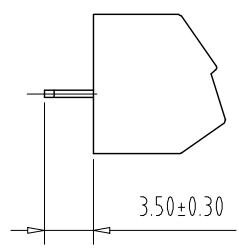
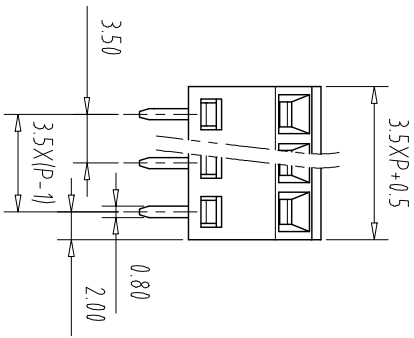
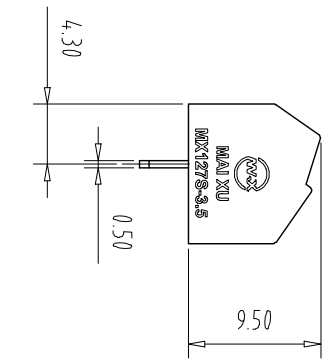
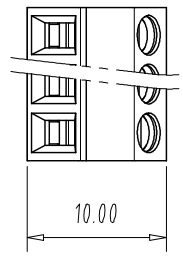


注：本板为禁止传输、复制、编辑、修改、以及利用其内容进行交流



REV	ECN NO.	CONTENT	CHK	DATE

NOTES1:
UL Standard

1.	Use group	B	C	D
Rated Current	10A	/	/	10A
Rated Voltage	300V	/	/	300V

- 2. Torque value: M2, 1.77LbIn
- 3. Wire range: 26~16AWG

IEC Standard

1.	Pollution Degree	3	2	2
Overvoltage Category	III	III	II	II
Rate Impulse Voltage(KV)	2.5KV	2.5KV	2.5KV	2.5KV
Rate Voltage(V)	160V	200V	400V	400V
Rate Current(A)	10A	10A	10A	10A

- 2. Torque value: M2, 0.2Nm
- 3. wire range: 0.2~1.5mm²

NOTES2:

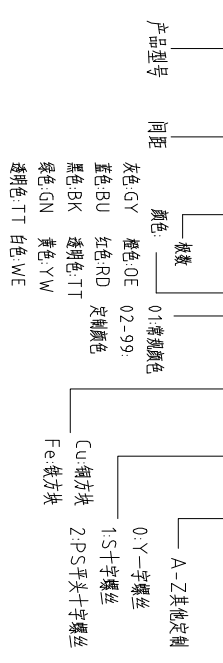
- 1.Housing: PA66 (UL94V-0)
- 2.Cover: PA66 (UL94V-0)
- 3.Cage: Brass (Ni Plated)
- 4.Solder Pin: Copper alloy(Sn Plated)
- 5.Screw: Steel (M2,Zn Plated)

NOTES3:

- 1.Pitch: 3.5mm Poles: 02-24P
- 2.Stripping length: 5mm
- 3.Operating temperature: -40°C~+105°C
- 4.RoHS Compliance

How to order

MX127S - 35 - XXP - XXXX - XX - X - X



Pitch Range In mm	Nominal Dimension Range In mm					
	Over 6 TO	Over 10 TO	Over 24 TO	Over 30 TO	Over 60 TO	Over 100 TO
±0.15	±0.20	±0.30	±0.30	±0.50	±0.70	±1.00
Over 6 TO	Over 10 TO	Over 24 TO	Over 30 TO	Over 60 TO	Over 100 TO	Over 150 TO
±0.15	±0.20	±0.30	±0.30	±0.50	±0.70	±1.00
±0.15	±0.20	±0.30	±0.30	±0.50	±0.70	±1.00
±0.15	±0.20	±0.30	±0.30	±0.50	±0.70	±1.00

ITEM	NAME OF PART	NO. OF PART	Q'TY	MATERIAL	NOTE
DWG	CHK	DATE	SCALE	SHEET/OF	1/1
APP	DATE	SCALE	NAME		
			MX127S-3.5-XXP		

CIXI MAIXU ELECTRONICS CO.,LTD
慈溪市迈旭电子有限公司

X-ON Electronics

Largest Supplier of Electrical and Electronic Components

Click to view similar products for [Fixed Terminal Blocks](#) category:

Click to view products by [MAX](#) manufacturer:

Other Similar products are found below :

[MBE-1512](#) [MBE-1520](#) [MBE-154](#) [MBE-156](#) [MBES-156](#) [MH-2512](#) [MHE-132](#) [MHE-163](#) [MI-254 \(35\)](#) [MI-272](#) [MPT-275](#) [15602-04-08-21](#)
[ELM10110G](#) [BA311TU](#) [BA411SU](#) [MV-254-D](#) [MV-255](#) [MV-493](#) [MVE-252](#) [MVE-253](#) [MVEB-153](#) [1705142](#) [1712417](#) [1713088](#) [1745195](#)
[1760594](#) [1-796689-8](#) [1800114](#) [20020314-C121B01LF](#) [KP03215000J0G](#) [KP04215000J0G](#) [S451](#) [29.007](#) [29.116](#) [30.204](#) [30.503](#) [30.756](#)
[30.853](#) [996750](#) [1710052](#) [1777707](#) [1-796692-3](#) [20020316-G071B01LF](#) [20020327-C061B01LF](#) [29590](#) [30.652](#) [30.710](#) [30.754](#) [30.757](#) [32.058](#)