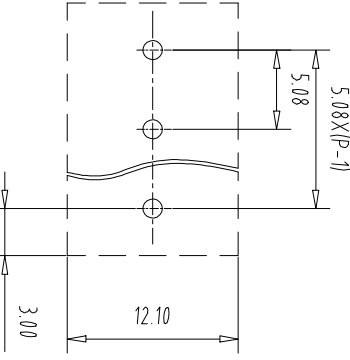
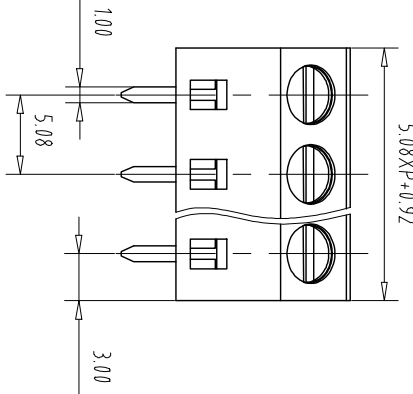
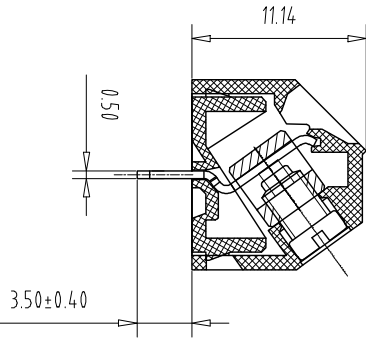
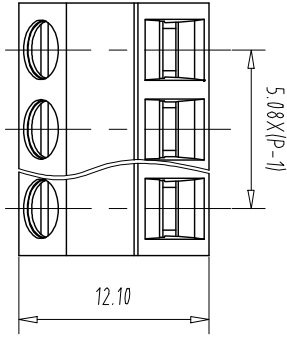


注: 本板为禁止传输、复制、编辑文件, 以及用其内容进行交流

| REV | ECN NO. | CONTENT | CHK | DATE |
|-----|---------|---------|-----|------|
|-----|---------|---------|-----|------|



| Pitch | Range  | In mm   | Nominal Dimension | Range   |          |          |
|-------|--------|---------|-------------------|---------|----------|----------|
| mm    | Over 6 | Over 10 | Over 30           | Over 60 | Over 100 | Over 150 |
|       | TO 6   | TO 10   | TO 30             | TO 60   | TO 100   | TO 150   |

|          | ±0.15 | ±0.20 | ±0.30 | ±0.50 | ±0.70 | ±1.00 | ±1.30 | ±2* |
|----------|-------|-------|-------|-------|-------|-------|-------|-----|
| Over 6   |       |       |       |       |       |       |       |     |
| Over 10  |       |       |       |       |       |       |       |     |
| Over 30  |       |       |       |       |       |       |       |     |
| Over 60  |       |       |       |       |       |       |       |     |
| Over 100 |       |       |       |       |       |       |       |     |
| Over 150 |       |       |       |       |       |       |       |     |

NOTES 1:

- UL Standard
- | Use group     | B    | C | D    |
|---------------|------|---|------|
| Rated Current | 15A  | / | 10A  |
| Rated Voltage | 300V | / | 300V |
- 2 withstanding voltage: AC1600V/1min  
 3 Torque value: M3, 4, 4.3Lb.in  
 4. Wire range: 26~14AWG

IEC Standard

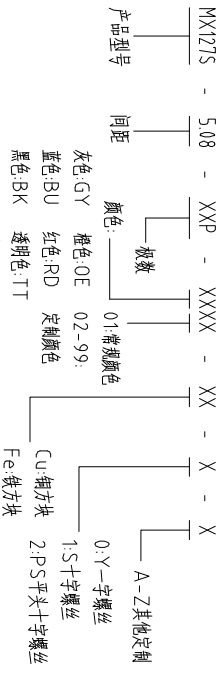
| Pollution Degree         | 3     | 2     | 2     |
|--------------------------|-------|-------|-------|
| Overvoltage Category     | III   | III   | II    |
| Rate Impulse Voltage(KV) | 4     | 4     | 4     |
| Rate Voltage(V)          | 250V  | 400V  | 630V  |
| Rate Current(A)          | 17.5A | 17.5A | 17.5A |

- NOTES 2:
- 1.Housing: PA66(UL94V-0)
  - 2.Cage: Brass(Ni Plated)
  - 3.Solder Pin: Copper alloy(Sn Plated)
  - 4.Screw: Steel(M3,Zn Plated)

NOTES 3:

- 1.Pitch: 5.08mm Poles: 02-24P
- 2.Stripping length: 6-7mm
- 3.Operating temperature: -40°C~+105°C
- 4.RoHS Compliance

How to order



| ITEM | NAME OF PART | NO. OF PART | Q'TY  | MATERIAL | NOTE |
|------|--------------|-------------|-------|----------|------|
| DWG  | CHK          | DATE        | SCALE | SHEET/OF | 1/1  |
| APP  | DATE         |             | A4    |          |      |
|      | NAME         |             |       |          |      |

CIXI MAIXU ELECTRONICS CO.,LTD  
 慈溪市迈旭电子有限公司  
 DWGNO.

## X-ON Electronics

Largest Supplier of Electrical and Electronic Components

*Click to view similar products for [Fixed Terminal Blocks](#) category:*

*Click to view products by [MAX](#) manufacturer:*

Other Similar products are found below :

[MBE-1512](#) [MBE-1520](#) [MBE-154](#) [MBE-156](#) [MBES-156](#) [MH-2512](#) [MHE-132](#) [MHE-163](#) [MI-254 \(35\)](#) [MI-272](#) [MPT-275](#) [15602-04-08-21](#)  
[ELM023100](#) [ELM10110G](#) [BA311TU](#) [BA411SU](#) [MV-254-D](#) [MV-255](#) [MV-493](#) [MVE-252](#) [MVE-253](#) [MVEB-153](#) [1705142](#) [1712417](#)  
[1713088](#) [1745195](#) [1760594](#) [1-796689-8](#) [1800114](#) [20020314-C121B01LF](#) [KP03215000J0G](#) [KP04215000J0G](#) [S451](#) [29.007](#) [29.116](#) [30.204](#)  
[30.503](#) [30.756](#) [30.853](#) [9872-0-00-15-00-00-33-0](#) [996750](#) [1710052](#) [1777707](#) [1-796692-3](#) [20020316-G071B01LF](#) [20020327-C061B01LF](#)  
[29590](#) [30.652](#) [30.710](#) [30.754](#)