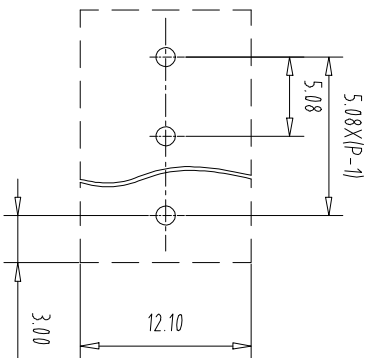
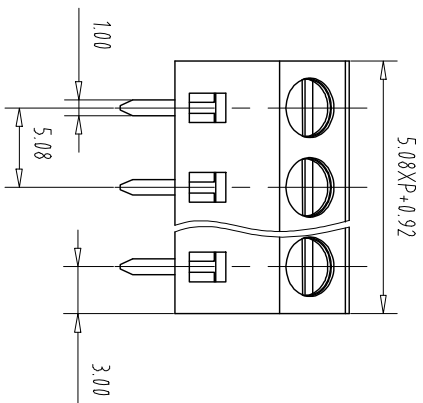
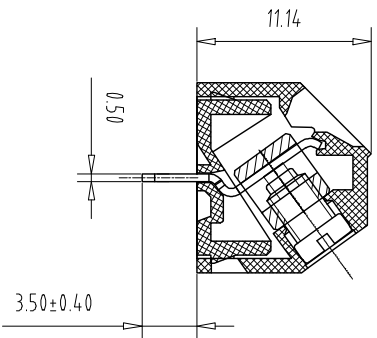
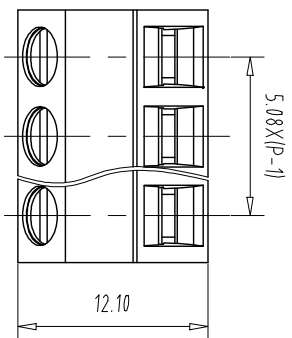


注: 本板为禁止运输、复制、编辑文件, 以及用其内容进行交流

REV	ECN NO.	CONTENT	CHK	DATE
-----	---------	---------	-----	------



PCB Layout

Pitch	Nominal Dimension						Range	
	mm	Over	In mm	Over	Over	Over	Over	Over
6	TO	6	TO	6	TO	6	TO	6
10	TO	10	TO	10	TO	10	TO	10
24	TO	24	TO	30	TO	60	TO	100
30	TO	30	TO	30	TO	60	TO	100
60	TO	60	TO	60	TO	60	TO	150
150	TO	150	TO	150	TO	150	TO	150

NOTES 1:

UL Standard

- Use group: B, C, D
- Rated Current: 15A, 10A, 300V, 300V
- withstanding voltage: AC1600V/1min
- Torque value: M3, 4, 4.3Lb.in
- Wire range: 26~14AWG

IEC Standard

Pollution Degree	3	2	2
Overvoltage Category	III	III	II
Rate Impulse Voltage(KV)	4	4	4
Rate Voltage(V)	250V	400V	630V
Rate Current(A)	17.5A	17.5A	17.5A

- Torque value: M2, 0.5Nm
- wire range: 0.5-1.5mm²

NOTES 2:

- Housing: PA66(UL94V-0)
- Cage: Brass(Ni Plated)
- Solder Pin: Copper alloy(Sn Plated)
- Screw: Steel(M3, Zn Plated)

NOTES 3:

- Pitch: 5.08mm Poles: 02-24P
- Stripping length: 6-7mm
- Operating temperature: -40℃~+105℃
- RoHS Compliance

How to order

MX127S - 5.08 - XXP - XXXX - XX - X - X

产品型号

间距

颜色

01-带颜色

A-Z其他定制

灰色:GY 蓝色:BU 黑色:BK 绿色:GN 透明色:TT 白色:WE
 红色:RD 透明色:TT 黄色:YW
 灰色:GY 蓝色:BU 黑色:BK 绿色:GN 透明色:TT 白色:WE

Cu:铜方块

Fe:铁方块

0:Y一字螺丝

1:S十字螺丝

2:PS平头十字螺丝

ITEM	NAME OF PART	NO. OF PART	Q'TY	MATERIAL	NOTE
DWG	CHK	DATE	SCALE	SHEET/OF	1/1
APP	DATE	DATE	SCALE	A4	1/1
CIXI MAIXU ELECTRONICS CO.,LTD			NAME	MX127S-5.08-XXP	
慈溪市迈旭电子有限公司			DWGNO.		

X-ON Electronics

Largest Supplier of Electrical and Electronic Components

Click to view similar products for [Fixed Terminal Blocks](#) category:

Click to view products by [MAX](#) manufacturer:

Other Similar products are found below :

[MBE-1512](#) [MBE-1520](#) [MBE-154](#) [MBE-156](#) [MBES-156](#) [MH-2512](#) [MHE-132](#) [MHE-163](#) [MI-254 \(35\)](#) [MI-272](#) [MPT-275](#) [15602-04-08-21](#)
[ELM10110G](#) [BA311TU](#) [BA411SU](#) [MV-254-D](#) [MV-255](#) [MV-493](#) [MVE-252](#) [MVE-253](#) [MVEB-153](#) [1705142](#) [1712417](#) [1713088](#) [1745195](#)
[1760594](#) [1-796689-8](#) [1800114](#) [20020314-C121B01LF](#) [KP03215000J0G](#) [KP04215000J0G](#) [S451](#) [29.007](#) [29.116](#) [30.204](#) [30.503](#) [30.756](#)
[30.853](#) [996750](#) [1710052](#) [1777707](#) [1-796692-3](#) [20020316-G071B01LF](#) [20020327-C061B01LF](#) [29590](#) [30.652](#) [30.710](#) [30.754](#) [30.757](#) [32.058](#)