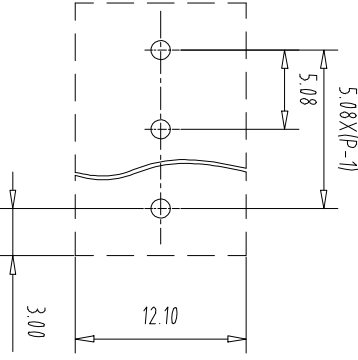
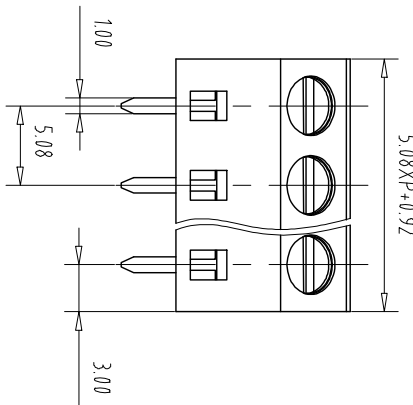
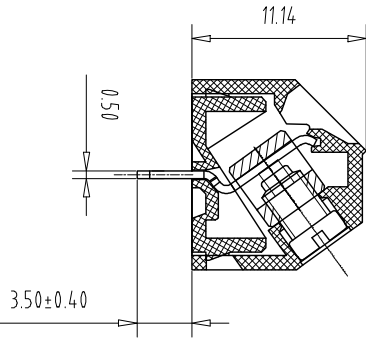
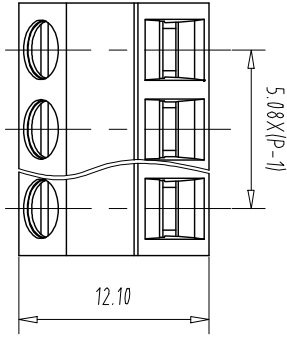


注: 本板为禁止运输、复制、翻印文件, 以及用其内容进行交流

| REV | ECN NO. | CONTENT | CHK | DATE |
|-----|---------|---------|-----|------|
|-----|---------|---------|-----|------|



PCB Layout

| Pitch | Range | In mm | Nominal Dimension | Range | | |
|-------|-------|-------|-------------------|-------|-------|-------|
| Over | 6 | 10 | Over | 30 | Over | 150 |
| TO | 6 | 10 | TO | 30 | TO | 150 |
| ±0.15 | ±0.20 | ±0.30 | ±0.30 | ±0.50 | ±0.70 | ±1.00 |
| | | | | | | ±1.30 |

NOTES 1:

- UL Standard
- | Use group | B | C | D |
|---------------|------|---|------|
| Rated Current | 15A | / | 10A |
| Rated Voltage | 300V | / | 300V |
- 2 withstanding voltage: AC1600V/1min
 3 Torque value: M3, 4, 4.3Lb.in
 4. Wire range: 26~14AWG

IEC Standard

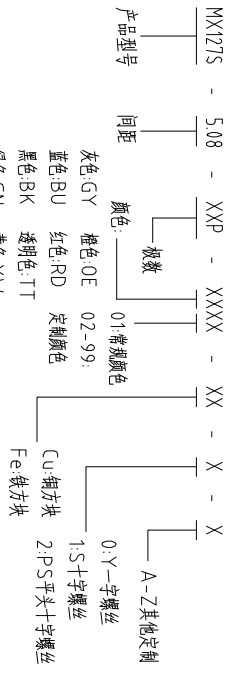
| Pollution Degree | 3 | 2 | 2 |
|--------------------------|-------|-------|-------|
| Overvoltage Category | III | III | II |
| Rate Impulse Voltage(kV) | 4 | 4 | 4 |
| Rate Voltage(V) | 250V | 400V | 630V |
| Rate Current(A) | 17.5A | 17.5A | 17.5A |

- NOTES 2:
- Housing: PA66(UL94V-0)
 - Cage: Brass(Ni Plated)
 - Solder Pin: Copper alloy(Sn Plated)
 - Screw: Steel(M3, Zn Plated)

NOTES 3:

- Pitch: 5.08mm Poles: 02-24P
- Stripping length: 6-7mm
- Operating temperature: -40°C~+105°C
- RoHS Compliance

How to order



| ITEM | NAME OF PART | NO. OF PART | Q'TY | MATERIAL | NOTE |
|------|--------------|-------------|-------|----------|------|
| DWG | CHK | DATE | SCALE | SHEET/OF | 1/1 |
| APP | DATE | | 1:1 | A4 | |
| | NAME | | | | |

CIXI MAIXU ELECTRONICS CO.,LTD
 慈溪市迈旭电子有限公司
 MX127S-5.08-XXP
 DWGNO.

X-ON Electronics

Largest Supplier of Electrical and Electronic Components

Click to view similar products for [Fixed Terminal Blocks](#) category:

Click to view products by [MAX](#) manufacturer:

Other Similar products are found below :

[MBE-1512](#) [MBE-1520](#) [MBE-154](#) [MBE-156](#) [MBES-156](#) [MH-2512](#) [MHE-132](#) [MHE-163](#) [MI-254 \(35\)](#) [MPT-275](#) [ELM10110G](#) [BA311TU](#)
[BA411SU](#) [MV-254-D](#) [MV-255](#) [MV-493](#) [MVE-252](#) [MVE-253](#) [MVEB-153](#) [1705142](#) [1-796689-8](#) [1841320000](#) [S451](#) [29.007](#) [29.116](#) [30.204](#)
[30.503](#) [30.756](#) [30.853](#) [9872-0-00-15-00-00-33-0](#) [996750](#) [1710052](#) [20020316-G071B01LF](#) [20020327-C061B01LF](#) [29590](#) [30.652](#) [30.710](#)
[30.754](#) [30.757](#) [32.058](#) [37.206](#) [37.208](#) [37.507](#) [37.558](#) [38331-5812](#) [38331-8018](#) [38540-1910](#) [39.002](#) [MBE-1517](#) [MBE-153](#)