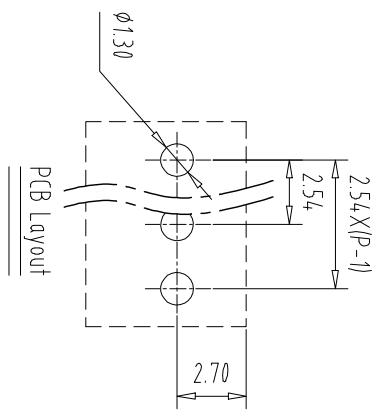
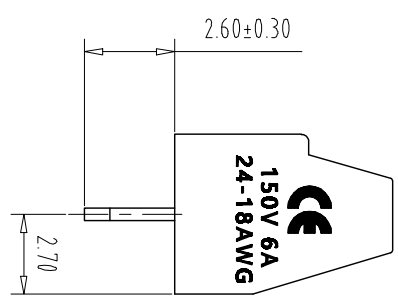
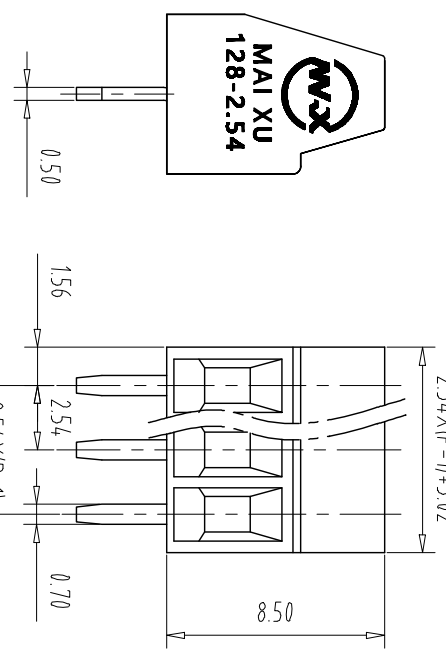
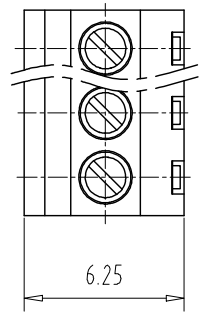


注：本板为禁止运输、复制、翻印文件，以及用其内容进行交流



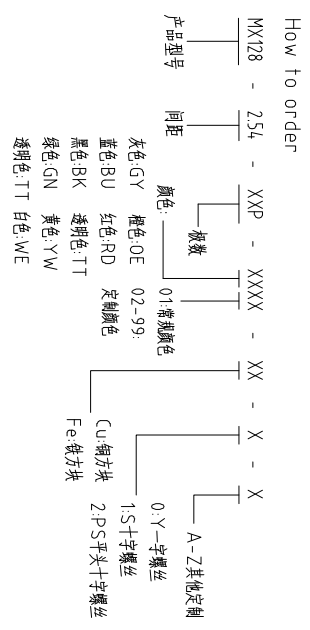
REV	ECN NO.	CONTENT	CHK	DATE

NOTES1:  
 UL Standard  
 1.Rating voltage/current: 150V/6A  
 2.withstanding voltage: AC1300V/1Min  
 3.Torque value: M1.6, 0.89Lb.in  
 4.Wire range: 24~18AWG  
 IEC Standard

Pollution Degree	3	2	2
Overvoltage Category	III	III	II
Rate Impulse Voltage(KV)	1.5	1.5	1.5
Rate Voltage(V)	160V	200V	400V
Rate Current(A)	8A	8A	8A

NOTES2:  
 1.Housing: PA66(UL94V-0)  
 2.Solder Pin: Copper alloy(Sn Plated)  
 3.Cage: Brass(Ni Plated)  
 4.Screw: Steel(M1.6,Zn Plated)

NOTES3:  
 1.Pitch: 2.54mm Poles: 02-24P  
 2.Stripping length: 5-6mm  
 3.Operating temperature: -40℃~+105℃  
 4.RoHS Compliance



Pitch Range In mm	Nominal Dimension In mm	Range	Symbol
Over 6	Over 10	Over 30	0.1/10
TO 6	TO 10	TO 30	
Over 10	Over 24	Over 60	150
TO 10	TO 24	TO 60	
Over 30	Over 60	Over 100	1.50
TO 30	TO 60	TO 100	
Over 60	Over 100	Over 150	±2°
TO 60	TO 100	TO 150	

ITEM	NAME OF PART	NO. OF PART	Q'TY	MATERIAL	NOTE
DWG	CHK	DATE	UNITS	MM	SHEET/OF 1/1
APP	DATE	SCALE	SCALE	A4	1/1
NAME					
MX128-2.54-XXP					

MAI XU 慈溪市迈旭电子有限公司 DWGNO.

## X-ON Electronics

Largest Supplier of Electrical and Electronic Components

*Click to view similar products for [Fixed Terminal Blocks](#) category:*

*Click to view products by [MAX](#) manufacturer:*

Other Similar products are found below :

[MBE-1512](#) [MBE-1520](#) [MBE-154](#) [MBE-156](#) [MBES-156](#) [MH-2512](#) [MHE-132](#) [MHE-163](#) [MI-254 \(35\)](#) [MI-272](#) [MPT-275](#) [15602-04-08-21](#)  
[ELM10110G](#) [BA311TU](#) [BA411SU](#) [MV-254-D](#) [MV-255](#) [MV-493](#) [MVE-252](#) [MVE-253](#) [MVEB-153](#) [1705142](#) [1712417](#) [1713088](#) [1745195](#)  
[1760594](#) [1-796689-8](#) [1800114](#) [20020314-C121B01LF](#) [KP03215000J0G](#) [KP04215000J0G](#) [S451](#) [29.007](#) [29.116](#) [30.204](#) [30.503](#) [30.756](#)  
[30.853](#) [996750](#) [1710052](#) [1777707](#) [1-796692-3](#) [20020316-G071B01LF](#) [20020327-C061B01LF](#) [29590](#) [30.652](#) [30.710](#) [30.754](#) [30.757](#) [32.058](#)