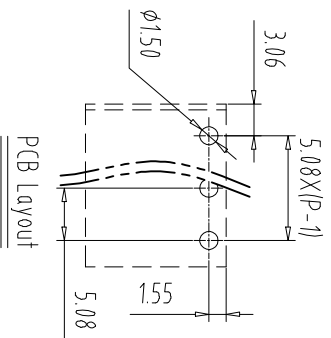
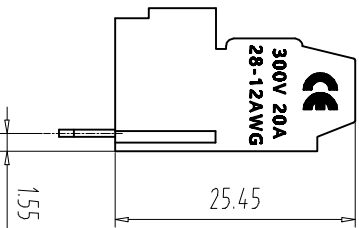
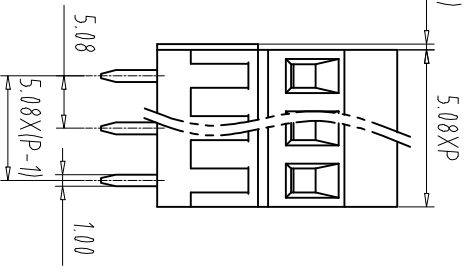
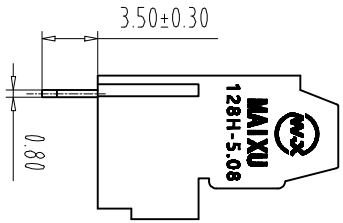
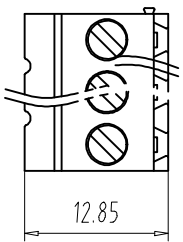


注: 本板为禁止传输、复制、编辑文件, 以及用其内容进行交流

REV	ECN NO.	CONTENT	CHK	DATE



NOTES1:

- UL Standard
- 1.Rating voltage/current: 300V/20A
- 2.withstanding voltage: AC1600V/1Min
- 3.Torque value: M2.5, 3.54LbIn
- 4.Wire range: 28~12AWG

IEC Standard

Pollution Degree	3	2	2
Overvoltage Category	III	III	II
Rate Impulse Voltage(KV)	4.0	4.0	4.0
Rate Voltage(V)	250V	400V	630V
Rate Current(A)	17.5A	17.5A	17.5A

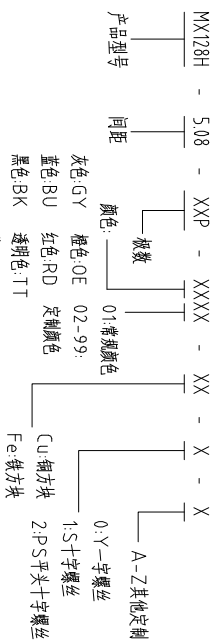
NOTES2:

- 1.Housing: PA66(UL94V-0)
- 2.Solder Pin: Copper alloy(Sn Plated)
- 3.Cage: Brass(Ni Plated)
- 4.Screw: Steel(M2.5,Zn Plated)

NOTES3:

- 1.Pitch: 5.08mm Poles: 02-24P
- 2.Stripping length: 6-7mm
- 3.Operating temperature: -40°C~+105°C
- 4.RoHS Compliance

How to order



Pitch	Range	In mm	Nominal Dimension	Range		
mm	Over 6	Over 10	Over 30	Over 60	Over 100	Over 150
	TO 6	TO 10	TO 24	TO 30	TO 60	TO 100
	TO 10	TO 24	TO 30	TO 60	TO 100	TO 150

±0.15	±0.20	±0.30	±0.30	±0.50	±0.70	±1.00	±1.30	±2°
Over 6	Over 10	Over 24	Over 30	Over 60	Over 100	Over 150		0.1/10
TO 6	TO 10	TO 24	TO 30	TO 60	TO 100	TO 150		<

ITEM	NAME OF PART	NO. OF PART	Q'TY	MATERIAL	NOTE
DWG	CHK	DATE	DATE	SCALE	SHEET/OF
APP	DATE			1:1	A4
CIXI MAIXU ELECTRONICS CO.,LTD					NAME
MAIXU 慈溪市迈旭电子有限公司					MX128H-5.08-XXP
DWGNO.					

X-ON Electronics

Largest Supplier of Electrical and Electronic Components

Click to view similar products for [Fixed Terminal Blocks](#) category:

Click to view products by [MAX](#) manufacturer:

Other Similar products are found below :

[MBE-1512](#) [MBE-1520](#) [MBE-154](#) [MBE-156](#) [MBES-156](#) [MH-2512](#) [MHE-132](#) [MHE-163](#) [MI-254 \(35\)](#) [MI-272](#) [MPT-275](#) [15602-04-08-21](#)
[ELM10110G](#) [BA311TU](#) [BA411SU](#) [MV-254-D](#) [MV-255](#) [MV-493](#) [MVE-252](#) [MVE-253](#) [MVEB-153](#) [1705142](#) [1712417](#) [1713088](#) [1745195](#)
[1760594](#) [1-796689-8](#) [1800114](#) [20020314-C121B01LF](#) [KP03215000J0G](#) [KP04215000J0G](#) [S451](#) [29.007](#) [29.116](#) [30.204](#) [30.503](#) [30.756](#)
[30.853](#) [996750](#) [1710052](#) [1777707](#) [1-796692-3](#) [20020316-G071B01LF](#) [20020327-C061B01LF](#) [29590](#) [30.652](#) [30.710](#) [30.754](#) [30.757](#) [32.058](#)