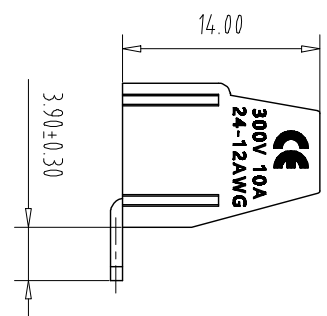
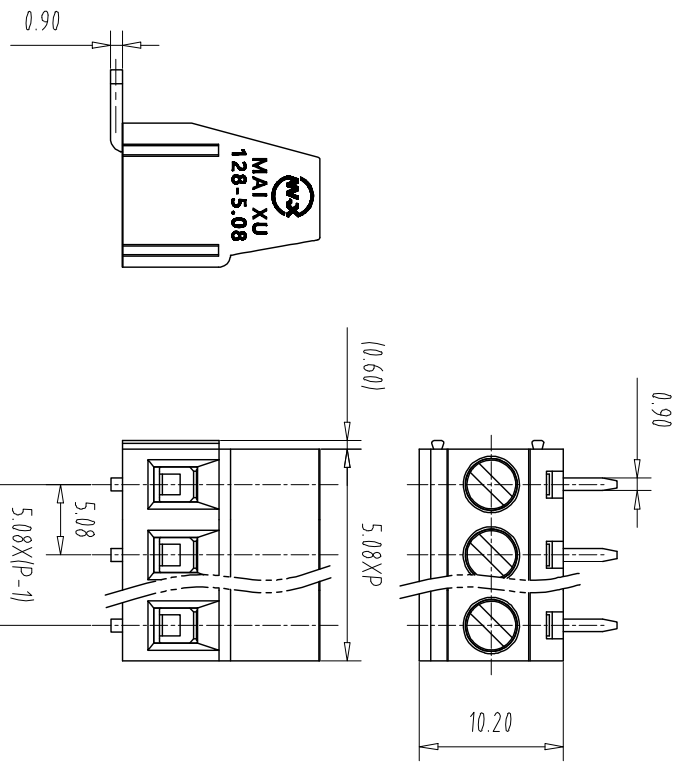


注: 本板为禁止传输、复制、编辑文件, 以及用其内容进行交流



REV	ECN NO.	CONTENT	CHK	DATE

NOTES1:
UL Standard
1.Rating voltage/current: 300V//10A
2.withstanding voltage: AC2000V//1Min
3.Torque value: M2.5, 3.54Lbin
4.Wire range: 24~12AWG

IEC Standard

Pollution Degree	3	2	2
Overvoltage Category	III	III	II
Rate Impulse Voltage(kV)	/	/	/
Rate Voltage(V)	/	250V	/
Rate Current(A)	/	15A	/

1. Torque value: M2.5, 0.4Nm
3.wire range: 10~2.5mm²

NOTES2:

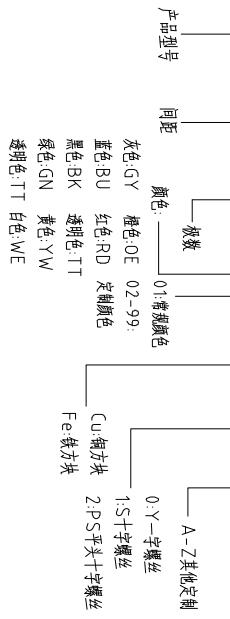
- Housing: PA66(UL94V-0)
- Solder Pin: Copper alloy(Sn Plated)
- Cage: Brass(Ni Plated)
- Screw: Steel(M2.5,Zn Plated)

NOTES3:

- Pitch: 5.08mm Poles: 02-24P
- Stripping length: 6-7mm
- Operating temperature: -40℃~+105℃
- RoHS Compliance

How to order

MX128R - 5.08 - XXP - XXXX - XX - X - X



Pitch Range In mm	Nominal Dimension In mm	Range
Over 6	Over 10	Over 30
TO 6	TO 10	TO 30
Over 10	Over 24	Over 60
TO 10	TO 24	TO 60
Over 150	Over 150	Over 150
TO 150	TO 150	TO 150
±0.15	±0.20	±0.30
±0.30	±0.50	±0.70
±1.00	±1.30	±1.50
±2°	±2°	±2°

ITEM	NAME OF PART	NO. OF PART	Q'TY	MATERIAL	NOTE
DWG	CHK	DATE	SCALE	SHEET/OF	1/1
APP	DATE	SCALE	A4		
CIXI MAIXU ELECTRONICS CO.,LTD			NAME		
MAIXU 慈溪市迈旭电子有限公司			MX128R-5.08-XXP		
DWGNO.					

X-ON Electronics

Largest Supplier of Electrical and Electronic Components

Click to view similar products for [Fixed Terminal Blocks](#) category:

Click to view products by [MAX](#) manufacturer:

Other Similar products are found below :

[MBE-1512](#) [MBE-1520](#) [MBE-154](#) [MBE-156](#) [MBES-156](#) [MH-2512](#) [MHE-132](#) [MHE-163](#) [MI-254 \(35\)](#) [MI-272](#) [MPT-275](#) [15602-04-08-21](#)
[ELM023100](#) [ELM10110G](#) [BA311TU](#) [BA411SU](#) [MV-254-D](#) [MV-255](#) [MV-493](#) [MVE-252](#) [MVE-253](#) [MVEB-153](#) [1705142](#) [1712417](#)
[1713088](#) [1745195](#) [1760594](#) [1-796689-8](#) [1800114](#) [20020314-C121B01LF](#) [KP03215000J0G](#) [KP04215000J0G](#) [S451](#) [29.007](#) [29.116](#) [30.204](#)
[30.503](#) [30.756](#) [30.853](#) [9872-0-00-15-00-00-33-0](#) [996750](#) [1710052](#) [1777707](#) [1-796692-3](#) [20020316-G071B01LF](#) [20020327-C061B01LF](#)
[29590](#) [30.652](#) [30.710](#) [30.754](#)