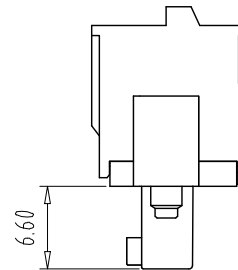
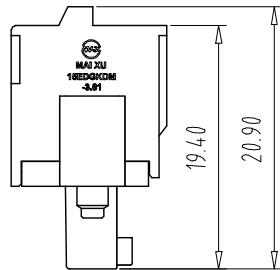
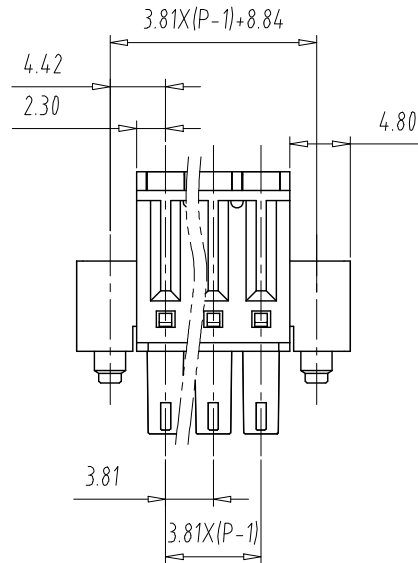
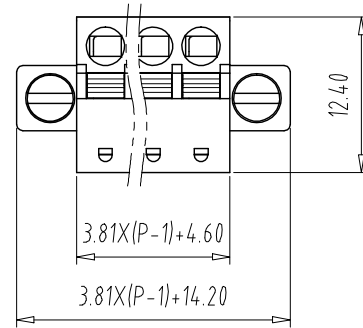


注: 未经允许禁止传输、复制、编辑该文档, 以及利用其内容进行交流

REV	E.C.N NO.	CONTENT	CHK	DATE



NOTES1:

UL Standard

1.

Use group	B	C	D
Rated Current	8A	/	8A
Rated Voltage	300V	/	300V

2.Wire range: 28~16AWG

IEC Standard

1.

Pollution Degree	3	2	2
Overvoltage Category	III	III	II
Rate Impulse Voltage(KV)	2.5KV	2.5KV	2.5KV
Rate Voltage(V)	160V	160V	320V
Rate Current(A)	8A	8A	8A

2.wire range: 0.2~1.5mm²

NOTES2:

- Housing: PA66 (UL94V-0)
- Cover: PA66 (UL94V-0)
- Button: POM
- Conductor: Copper alloy (Ni Plated)
- Spring: Stainless Steel
- Screw: Steel (M2.5,Zn Plated)

NOTES3:

- Pitch: 3.81mm Poles: 02-24P
- Stripping length: 7-8mm
- Operating temperature: -40℃~+105℃
- RoHS Compliance

How to order

MX15EDGKDM - 3.81 - XXP - XXXX - XX - X

产品型号 间距 极数 颜色 01:常规颜色 A-Z其他定制

灰色:GY 橙色:OE 02-99:
 蓝色:BU 红色:RD 定制颜色
 黑色:BK 透明色:TT
 绿色:GN 黄色:YW
 透明色:TT 白色:WE

Cu:铜
Fe:铁

Pitch Range In mm		Nominal Dimension Range In mm						—	∩	∇
TO	Over 6	Over 10	TO	Over 30	Over 60	Over 100	Over 150	0.1/10	∠	
6	TO 10	TO 24	TO 30	TO 60	TO 100	TO 150	TO 150			
±0.15	±0.20	±0.30	±0.30	±0.50	±0.70	±1.00	±1.30	±2°		

ITEM	NAME OF PART	NO. OF PART	Q"TY	MATERIAL	NOTE
DWG.	CKK	DATE	23.06.20	UNITS	MM SHEET/OF 1/1
CHK.		DATE		SCALE	1:1 A4
APP.		DATE			
				NAME	MX15EDGKDM-3.81-XXP
CIXI MAIXU ELECTRONICS CO.,LTD. 慈溪市迈旭电子有限公司				DWGNO.	

X-ON Electronics

Largest Supplier of Electrical and Electronic Components

Click to view similar products for [Pluggable Terminal Blocks](#) category:

Click to view products by [MAX](#) manufacturer:

Other Similar products are found below :

[57.510.0053](#) [721-104/026-047](#) [721-204/026-045](#) [MC 1.5/ 6-ST-3.5 GY AU](#) [ET02015000J0G](#) [860505](#) [860516](#) [860810](#) [GBPACX-12](#)
[93.731.4953.0](#) [PVP03-3,50](#) [PVS02-5,00](#) [1-1986160-3](#) [1377680000](#) [1531000000](#) [1546228-5](#) [ELFP03110](#) [ELFP10210](#) [ELFT07250](#)
[ELVD12100](#) [ELVF09400](#) [ELXH071G0E](#) [1725220000](#) [1760336](#) [1855000000](#) [19346](#) [1946309](#) [1973592](#) [19892](#) [25.320.4053.1](#) [25.320.4553.9](#)
[25.320.4753.1](#) [25.320.5453.1](#) [25.340.0353.1](#) [25.340.1053.1](#) [25.345.3553.0M001](#) [25.640.3553.1](#) [SH02-5,08](#) [SH06-3,81](#) [SH08-5,08](#) [SH08-](#)
[5,08-K](#) [SH12-5,08](#) [SHS04-5,00](#) [30.303](#) [30.305](#) [30.306](#) [PHP09-5,08](#) [25.193.0453.0](#) [25.320.4653.1](#) [25.332.2453.1](#)