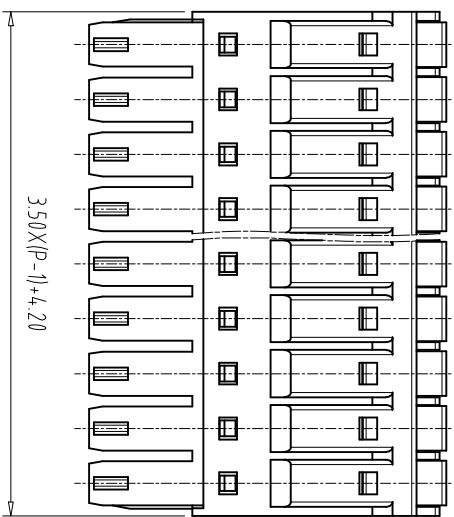
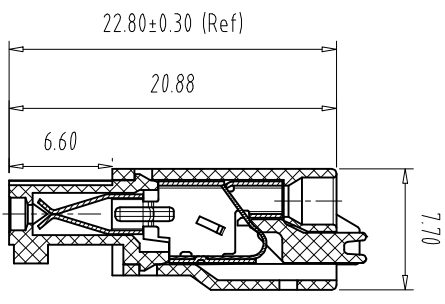
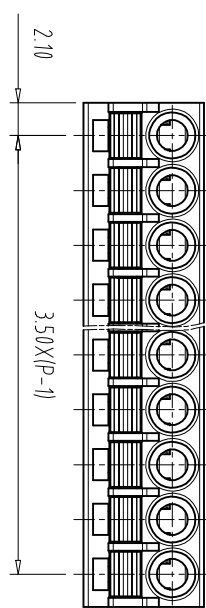


注：本板为禁止运输、复制、编辑文件，以及用其内容进行交流



REV	ECN NO.	CONTENT	CHK	DATE

NOTES1:

1. Use group	B	C	D
Rated Current	8A	/	8A
Rated Voltage	300V	/	300V

2. withstanding voltage: AC1600V/1Min

3. Wire range: 24~16AWG

UL Standard

IEC Standard	1. Pollution Degree	3	2	2
Overvoltage Category	III	III	II	II
Rate Impulse Voltage(KV)	2.5KV	2.5KV	2.5KV	2.5KV
Rate Voltage(V)	160V	160V	320V	320V
Rate Current(A)	8A	8A	8A	8A

2. wire range: 0.2~15mm<sup>2</sup>

NOTES2:

1.Housing: PA66 (UL94V-0)

2.Cover: PA66 (UL94V-0)

3.Spring: Stainless Steel

4. Conductor: Copper (Sn Plated)

5.Button

NOTES3:

1.Pitch: 3.5mm Poles: 02-24P

2.Stripping length: 9-10mm

3.Operating temperature: -40℃~+105℃

4.RoHS Compliance

How to order

MX15EDGKN - 35 - XXP - XXXX - XX - X - X

产品型号 间距 颜色 极数 01:常规颜色 0:Y一字螺丝 A-Z其他定制

灰色:GY 橙色:OE 02-99:

蓝色:BU 红色:RD 定制颜色

黑色:BK 透明色:TT

绿色:GN 黄色:YW

透明色:TT 白色:WE

Cu:铜 Fe:铁

1:S十字螺丝

0:Y一字螺丝

2:P.S平头十字螺丝

Pitch Range In mm	Nominal Dimension In mm	Range	Symbol					
Over 6	Over 10	Over 30	Over 60	Over 100	Over 150	0.1/10		
TO 6	TO 10	TO 24	TO 30	TO 60	TO 100	150		
±0.15	±0.20	±0.30	±0.30	±0.50	±0.70	±1.00	±1.30	±2°

ITEM	NAME OF PART	NO. OF PART	Q'TY	MATERIAL	NOTE
DWG	CHK	DATE	SCALE	SHEET/OF	1/1
APP	DATE	SCALE	A4		
CIXI MAIXU ELECTRONICS CO.,LTD			MX15EDGKN-35-XXP		
慈溪市迈旭电子有限公司			DWGNO.		

## X-ON Electronics

Largest Supplier of Electrical and Electronic Components

*Click to view similar products for [Pluggable Terminal Blocks](#) category:*

*Click to view products by [MAX](#) manufacturer:*

Other Similar products are found below :

[57.510.0053](#) [721-104/026-047](#) [721-204/026-045](#) [MC 1.5/ 6-ST-3.5 GY AU](#) [ET02015000J0G](#) [860505](#) [860516](#) [860810](#) [GBPACX-12](#)  
[93.731.4953.0](#) [PVP03-3,50](#) [PVS02-5,00](#) [1-1986160-3](#) [1377680000](#) [1531000000](#) [1546228-5](#) [ELFP03110](#) [ELFP10210](#) [ELFT07250](#)  
[ELVD12100](#) [ELVF09400](#) [ELXH071G0E](#) [1725220000](#) [1760336](#) [1855000000](#) [19346](#) [1946309](#) [1973592](#) [19892](#) [25.320.4053.1](#) [25.320.4553.9](#)  
[25.320.4753.1](#) [25.320.5453.1](#) [25.340.0353.1](#) [25.340.1053.1](#) [25.345.3553.0M001](#) [25.640.3553.1](#) [SH02-5,08](#) [SH06-3,81](#) [SH08-5,08](#) [SH08-](#)  
[5,08-K](#) [SH12-5,08](#) [SHS04-5,00](#) [30.303](#) [30.305](#) [30.306](#) [PHP09-5,08](#) [25.193.0453.0](#) [25.320.4653.1](#) [25.332.2453.1](#)