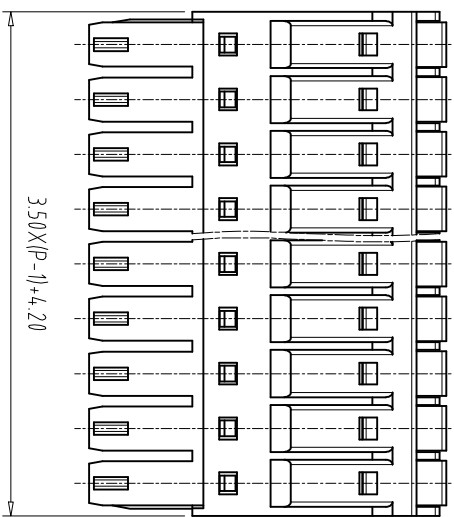
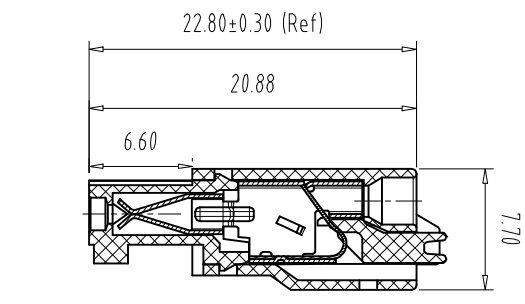
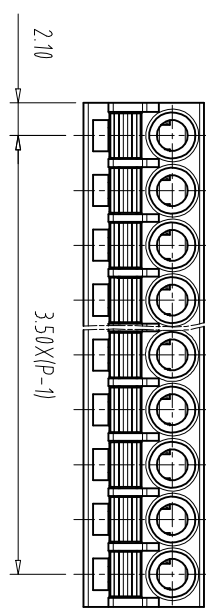


注：本板为禁止运输、复制、编辑文件，以及用其内容进行交流



REV	ECN NO.	CONTENT	CHK	DATE

NOTES1:

Use group	B	C	D
Rated Current	8A	/	8A
Rated Voltage	300V	/	300V

- NOTES2:
1. Use group
  2. withstanding voltage: AC1600V/1Min
  3. Wire range: 24~16AWG

IEC Standard	Pollution Degree	3	2	2
Overvoltage Category	III	III	II	II
Rate Impulse Voltage(KV)	2.5KV	2.5KV	2.5KV	2.5KV
Rate Voltage(V)	160V	160V	320V	320V
Rate Current(A)	8A	8A	8A	8A

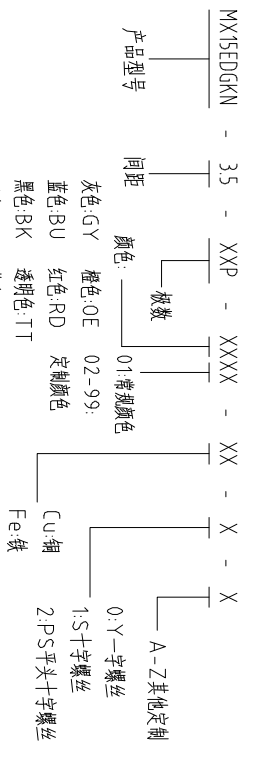
NOTES3:

- 1.Housing: PA66 (UL94V-0)
- 2.Cover: PA66 (UL94V-0)
- 3.Spring: Stainless Steel
- 4.Conductor: Copper (Sn Plated)
- 5.Button

NOTES4:

- 1.Pitch: 3.5mm Poles: 02-24P
- 2.Stripping length: 9-10mm
- 3.Operating temperature: -40℃~+105℃
- 4.RoHS Compliance

How to order



Pitch Range In mm	Nominal Dimension In mm	Range	Symbol
Over 6 TO 10	Over 10 TO 24	Over 30 TO 60	Over 60 TO 100
Over 10 TO 15	Over 24 TO 30	Over 60 TO 100	Over 100 TO 150
±0.15	±0.20	±0.30	±0.50
±0.30	±0.70	±1.00	±1.30
±2°	±2°	±2°	±2°

ITEM	NAME OF PART	NO. OF PART	Q'TY	MATERIAL	NOTE
DWG	CHK	DATE	SCALE	SHEET/OF	1/1
APP	DATE	SCALE	A4		
CIXI MAIXU ELECTRONICS CO.,LTD					MX15EDGKN-35-XXP
MAIXU 慈溪市迈旭电子有限公司					DWGNO.

## X-ON Electronics

Largest Supplier of Electrical and Electronic Components

*Click to view similar products for [Pluggable Terminal Blocks](#) category:*

*Click to view products by [MAX](#) manufacturer:*

Other Similar products are found below :

[57.510.0053](#) [721-104/026-047](#) [721-204/026-045](#) [MC 1.5/ 6-ST-3.5 GY AU](#) [ET02015000J0G](#) [860505](#) [860516](#) [860810](#) [GBPACX-12](#)  
[93.731.4953.0](#) [PVP03-3,50](#) [PVS02-5,00](#) [1-1986160-3](#) [1377680000](#) [1531000000](#) [1546228-5](#) [ELFP03110](#) [ELFP10210](#) [ELFT07250](#)  
[ELVD12100](#) [ELVF09400](#) [ELXH071G0E](#) [1725220000](#) [1760336](#) [1855000000](#) [19346](#) [1946309](#) [1973592](#) [19892](#) [25.320.4053.1](#) [25.320.4553.9](#)  
[25.320.4753.1](#) [25.320.5453.1](#) [25.340.0353.1](#) [25.340.1053.1](#) [25.345.3553.0M001](#) [25.640.3553.1](#) [SH02-5,08](#) [SH06-3,81](#) [SH08-5,08](#) [SH08-](#)  
[5,08-K](#) [SH12-5,08](#) [SHS04-5,00](#) [30.303](#) [30.305](#) [30.306](#) [PHP09-5,08](#) [25.193.0453.0](#) [25.320.4653.1](#) [25.332.2453.1](#)