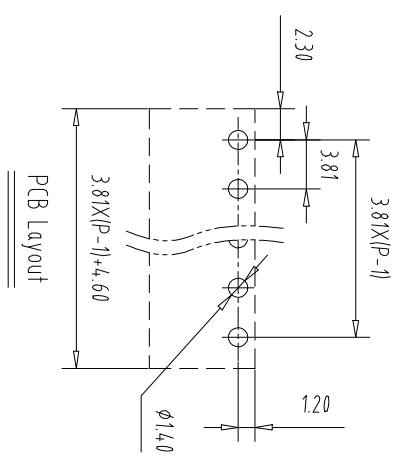
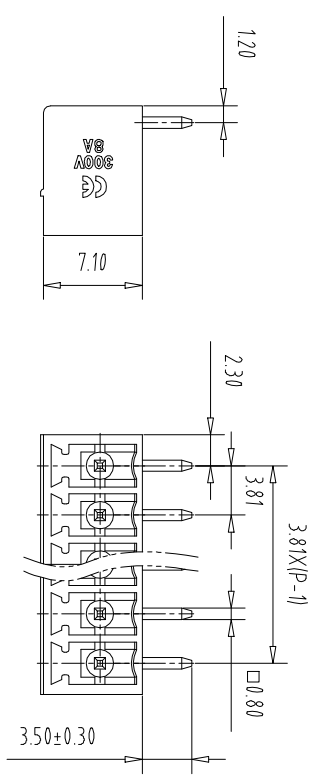
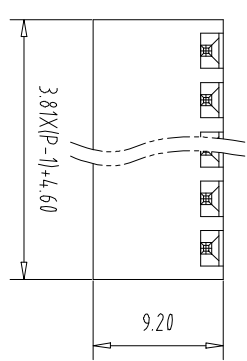


注: 本板为禁止传输、复制、编辑或存档, 以及用其内容进行复制或交流

REV	ECN NO.	CONTENT	CHK	DATE
-----	---------	---------	-----	------



Pitch Range In mm	Nominal Dimension In mm	Over	In mm	Over	Over	Over	Over	Over	PCB Layout
TO 6	TO 10	TO 24	TO 30	TO 60	TO 100	TO 150	TO 150	TO 150	0.1/10
±0.15	±0.20	±0.30	±0.30	±0.50	±0.70	±1.00	±1.00	±1.30	±2°

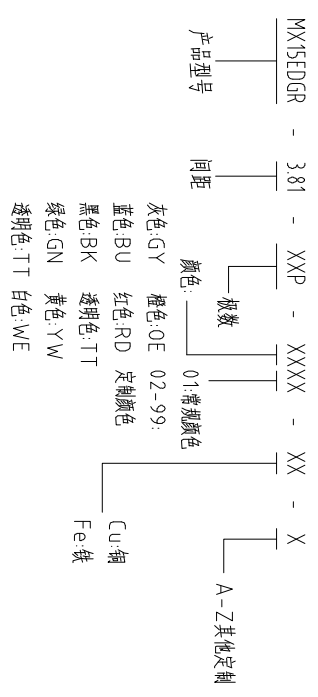
Pollution Degree	Overvoltage Category	Rate Impulse Voltage(kV)	Rate Voltage(V)	Rate Current(A)
3	III	2.5KV	160V	7A
2	III	2.5KV	160V	7A
2	II	2.5KV	250V	7A

NOTES1:
 UL Standard
 1.Rating voltage/current: 300V/8A
 2.withstanding voltage: AC2000V/1Min
 IEC Standard
 1. Pollution Degree 3
 2. Overvoltage Category III
 3. Rate Impulse Voltage(kV) 2.5KV
 4. Rate Voltage(V) 160V
 5. Rate Current(A) 7A

NOTES2:
 1.Housing: PA66 (UL94V-0)
 2.Solder Pin: Brass (Sn Plated)

NOTES3:
 1.Pitch: 3.81mm Poles: 02-24P
 2.Operating temperature: -40°C~+105°C
 3.RoHS Compliance

How to order



ITEM	NAME OF PART	NO. OF PART	Q'TY	MATERIAL	NOTE
DWG	CHK	DATE	SCALE	SHEET/OF	1/1
APP	DATE	SCALE	NAME		
			MX15FDGR-381-XXP		

CIXI MAIXU ELECTRONICS CO.,LTD
 MAIXU 慈溪市迈旭电子有限公司 DWGNO.

X-ON Electronics

Largest Supplier of Electrical and Electronic Components

Click to view similar products for [Pluggable Terminal Blocks](#) category:

Click to view products by [MAX](#) manufacturer:

Other Similar products are found below :

[57.510.0053](#) [MC 1.5/ 6-ST-3.5 GY AU](#) [ET02015000J0G](#) [860505](#) [860516](#) [860810](#) [GBPACX-12](#) [93.731.4953.0](#) [PV05-5,08-K](#) [PVP03-3,50](#)
[PVS02-5,00](#) [1-1986160-3](#) [1377680000](#) [1531000000](#) [1546228-5](#) [ELFP03110](#) [ELFP10210](#) [ELFT07250](#) [ELVD12100](#) [ELVF09400](#)
[ELVP03100](#) [ELXH071G0E](#) [1700410](#) [1746952](#) [1760336](#) [1800272](#) [1809474](#) [1855000000](#) [19346](#) [1946309](#) [1950227](#) [1973592](#) [19892](#)
[25.320.4053.1](#) [25.320.4553.9](#) [25.320.4753.1](#) [25.320.5453.1](#) [25.340.0353.1](#) [25.340.1053.1](#) [25.345.3553.0M001](#) [25.640.3553.1](#) [SH02-5,08](#)
[SH06-3,81](#) [SH08-5,08](#) [SH08-5,08-K](#) [SH12-5,08](#) [SHS04-5,00](#) [30.303](#) [30.305](#) [30.306](#)