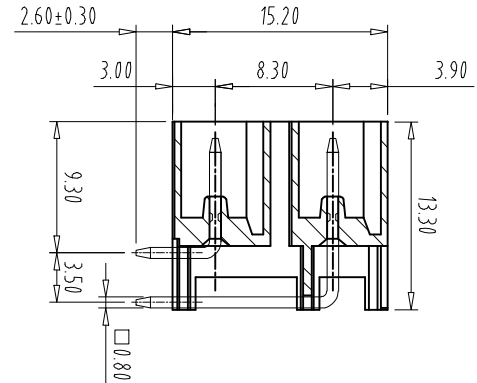
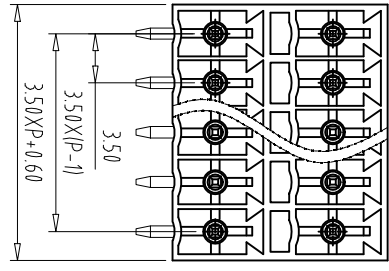


注：本板为禁止传输、复制、编辑、修改、以及利用其内容建立数据库

REV	ECN NO.	CONTENT	CHK	DATE
-----	---------	---------	-----	------

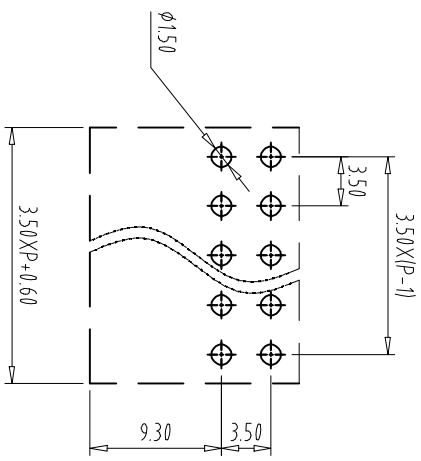
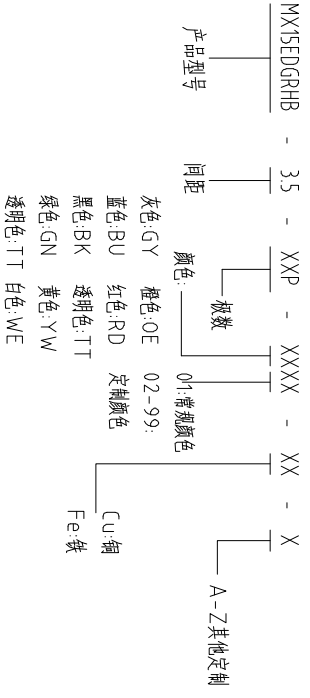


NOTES1:
 1.Rating voltage/current: 300V/8A
 2.withstanding voltage: AC2500V/1Min
 3.Soldering temperature: +250℃,5seconds Max.

NOTES2:
 1.Housing: Polyamide(Glass filled) (UL94V-0)
 2.Solder Pin: Copper Alloy (Sn Plated)

NOTES3:
 1.Pitch: 3.5mm Poles: 02-24P
 2.Operating temperature: -40℃~+105℃
 3.RoHS Compliance

How to order



PCB Layout

Pitch Range	In mm	Nominal Dimension	In mm	Range	mm	mm														
Over 6	TO	Over 10	TO	Over 30	TO	Over 60	TO	Over 100	TO	Over 150	TO	Over 300	TO	Over 600	TO	Over 1000	TO	Over 1500	TO	
±0.15	±0.20	±0.30	±0.30	±0.50	±0.50	±0.70	±1.00	±1.30	±2*	0.1/10	∠	±2*								

ITEM	NAME OF PART	NO. OF PART	Q'TY	MATERIAL	NOTE
DWG	CHK	DATE	SCALE	SHEET/OF	1/1
APP	DATE	NAME			
		MX15EDGRHB-3.5-XXP			

DATE: 22.09.14

SCALE: 1:1

NAME: MX15EDGRHB-3.5-XXP

DATE: _____

NAME: _____

MAXU 慈溪市迈旭电子有限公司

MAXU CIXI MAIXU ELECTRONICS CO.,LTD

X-ON Electronics

Largest Supplier of Electrical and Electronic Components

Click to view similar products for [Pluggable Terminal Blocks](#) category:

Click to view products by [MAX](#) manufacturer:

Other Similar products are found below :

[57.510.0053](#) [MC 1.5/ 6-ST-3.5 GY AU](#) [ET02015000J0G](#) [860505](#) [860516](#) [860810](#) [GBPACX-12](#) [93.731.4953.0](#) [PV05-5,08-K](#) [PVP03-3,50](#)
[PVS02-5,00](#) [1-1986160-3](#) [1377680000](#) [1531000000](#) [1546228-5](#) [ELFP03110](#) [ELFP10210](#) [ELFT07250](#) [ELVD12100](#) [ELVF09400](#)
[ELVP03100](#) [ELXH071G0E](#) [1700410](#) [1746952](#) [1760336](#) [1800272](#) [1809474](#) [1855000000](#) [19346](#) [1946309](#) [1950227](#) [1973592](#) [19892](#)
[25.320.4053.1](#) [25.320.4553.9](#) [25.320.4753.1](#) [25.320.5453.1](#) [25.340.0353.1](#) [25.340.1053.1](#) [25.345.3553.0M001](#) [25.640.3553.1](#) [SH02-5,08](#)
[SH06-3,81](#) [SH08-5,08](#) [SH08-5,08-K](#) [SH12-5,08](#) [SHS04-5,00](#) [30.303](#) [30.305](#) [30.306](#)