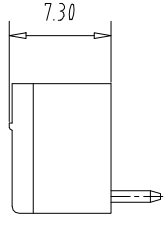
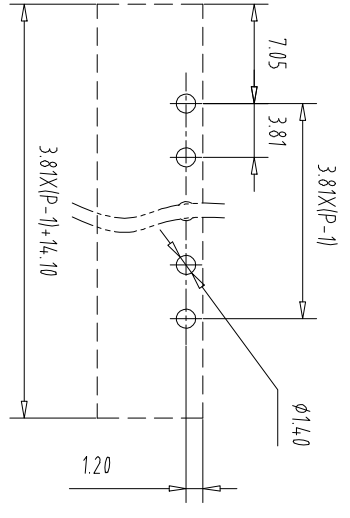
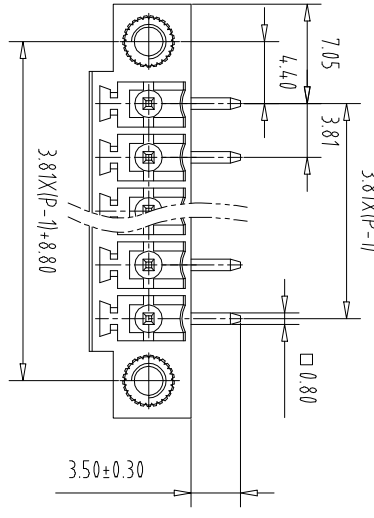
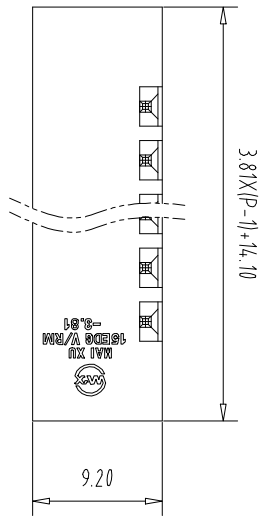


注: 本板为禁止运输、复制、编辑、修改、以及用其内容进行交流

REV	ECN NO.	CONTENT	CHK	DATE
-----	---------	---------	-----	------



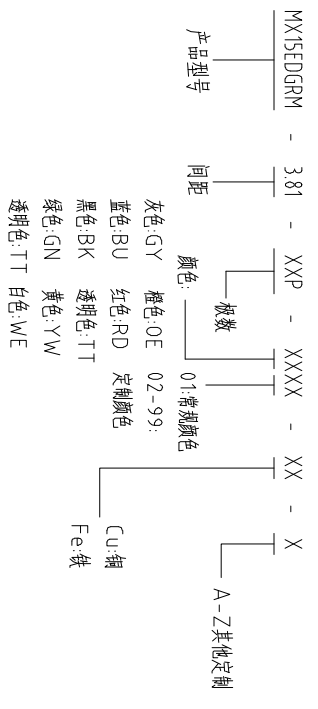
NOTES1:  
 UL Standard  
 1.Rating voltage/current: 300V/8A  
 2.withstanding voltage: AC2000V/1Min  
 IEC Standard

Pollution Degree	3	2	2
Overvoltage Category	III	III	II
Rate Impulse Voltage(KV)	2.5KV	2.5KV	2.5KV
Rate Voltage(V)	160V	160V	250V
Rate Current(A)	7A	7A	7A

NOTES2:  
 1.Housing: PA66 (UL94V-0)  
 2.Solder Pin: Brass (Sn Plated)  
 3.Nut: Brass (M2.5)

NOTES3:  
 1.Pitch: 3.81mm Poles: 02-24P  
 2.Operating temperature: -40℃~+105℃  
 3.RoHS Compliance

How to order



Pitch Range In mm	Nominal Dimension In mm	Range	Symbol				
Over 6 TO	Over 10 TO	Over 30 TO	Over 60 TO	Over 100 TO	Over 150 TO	0.1/10	±2°
6	10	24	30	60	100	150	
±0.15	±0.20	±0.30	±0.30	±0.50	±0.70	±1.00	±1.30

ITEM	NAME OF PART	NO. OF PART	Q'TY	MATERIAL	NOTE
DWG	CHK	DATE	UNITS	MM	SHEET/OF
APP	DATE	SCALE	1:1	A4	1/1
CIXI MAIXU ELECTRONICS CO.,LTD			NAME		
东莞市迈旭电子有限公司			MX15EDGRM-3.81-XXP		
DWGNO.					

## X-ON Electronics

Largest Supplier of Electrical and Electronic Components

*Click to view similar products for [Pluggable Terminal Blocks](#) category:*

*Click to view products by [MAX](#) manufacturer:*

Other Similar products are found below :

[57.510.0053](#) [MC 1.5/ 6-ST-3.5 GY AU](#) [ET02015000J0G](#) [860505](#) [860516](#) [860810](#) [GBPACX-12](#) [93.731.4953.0](#) [PV05-5,08-K](#) [PVP03-3,50](#)  
[PVS02-5,00](#) [1-1986160-3](#) [1377680000](#) [1531000000](#) [1546228-5](#) [ELFP03110](#) [ELFP10210](#) [ELFT07250](#) [ELVD12100](#) [ELVF09400](#)  
[ELVP03100](#) [ELXH071G0E](#) [1700410](#) [1746952](#) [1760336](#) [1800272](#) [1809474](#) [1855000000](#) [19346](#) [1946309](#) [1950227](#) [1973592](#) [19892](#)  
[25.320.4053.1](#) [25.320.4553.9](#) [25.320.4753.1](#) [25.320.5453.1](#) [25.340.0353.1](#) [25.340.1053.1](#) [25.345.3553.0M001](#) [25.640.3553.1](#) [SH02-5,08](#)  
[SH06-3,81](#) [SH08-5,08](#) [SH08-5,08-K](#) [SH12-5,08](#) [SHS04-5,00](#) [30.303](#) [30.305](#) [30.306](#)