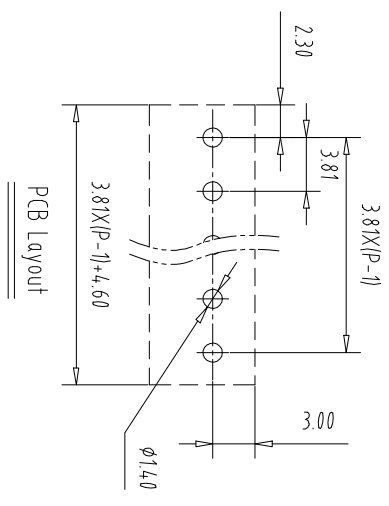
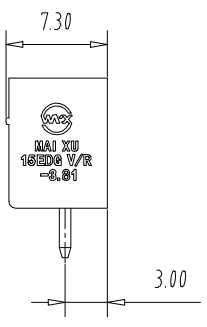
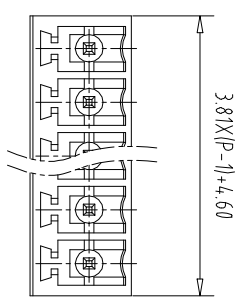
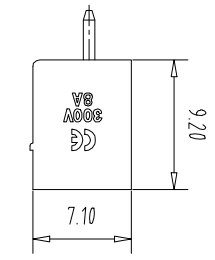
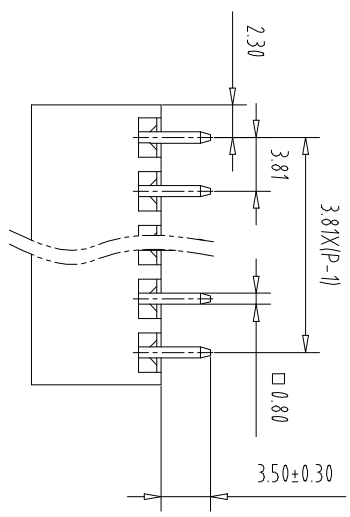


注: 本板为禁止运输、复制、编辑或存档, 以及用其内容进行交流

REV	ECN NO.	CONTENT	CHK	DATE
-----	---------	---------	-----	------



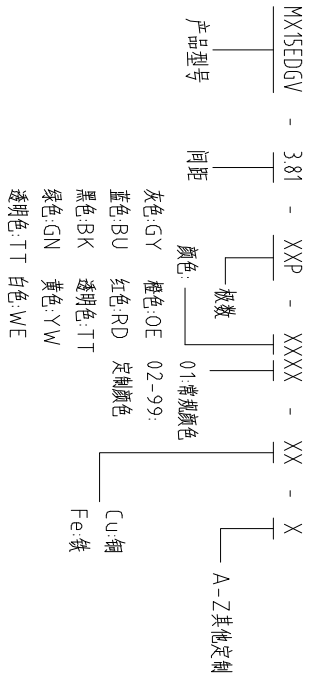
NOTES1:  
 UL Standard  
 1.Rating voltage/current: 300V/8A  
 2.withstanding voltage: AC2000V/1Min  
 IEC Standard

Pollution Degree	3	2	2
Overvoltage Category	III	III	II
Rate Impulse Voltage(kV)	2.5KV	2.5KV	2.5KV
Rate Voltage(V)	160V	160V	250V
Rate Current(A)	7A	7A	7A

NOTES2:  
 1.Housing: PA66 (UL94V-0)  
 2.Solder Pin: Brass (Sn Plated)

NOTES3:  
 1.Pitch: 3.81mm Poles: 02-24P  
 2.Operating temperature: -40℃~+105℃  
 3.RoHS Compliance

How to order



Pitch Range In

mm	Nominal Dimension	In mm	Range
----	-------------------	-------	-------

mm	Over	In mm	Over	Range
6	TO	6	TO	±0.15
10	TO	10	TO	±0.20
24	TO	24	TO	±0.30
30	TO	30	TO	±0.30
60	TO	60	TO	±0.50
100	TO	100	TO	±0.70
150	TO	150	TO	±1.00
150	TO	150	TO	±1.30

ITEM	NAME OF PART	NO. OF PART	Q'TY	MATERIAL	NOTE
DWG	CHK	DATE	UNITS	MM	SHEET/OF
APP	DATE	SCALE	1:1	A4	1/1
CIXI MAIXU ELECTRONICS CO.,LTD 慈溪市迈旭电子有限公司 MX15EDGV-381-XXP					DWGNO.

## X-ON Electronics

Largest Supplier of Electrical and Electronic Components

*Click to view similar products for [Pluggable Terminal Blocks](#) category:*

*Click to view products by [MAX](#) manufacturer:*

Other Similar products are found below :

[57.510.0053](#) [MC 1.5/ 6-ST-3.5 GY AU](#) [ET02015000J0G](#) [860505](#) [860516](#) [860810](#) [GBPACX-12](#) [93.731.4953.0](#) [PV05-5,08-K](#) [PVP03-3,50](#)  
[PVS02-5,00](#) [1-1986160-3](#) [1377680000](#) [1531000000](#) [1546228-5](#) [ELFP03110](#) [ELFP10210](#) [ELFT07250](#) [ELVD12100](#) [ELVF09400](#)  
[ELVP03100](#) [ELXH071G0E](#) [1700410](#) [1746952](#) [1760336](#) [1800272](#) [1809474](#) [1855000000](#) [19346](#) [1946309](#) [1950227](#) [1973592](#) [19892](#)  
[25.320.4053.1](#) [25.320.4553.9](#) [25.320.4753.1](#) [25.320.5453.1](#) [25.340.0353.1](#) [25.340.1053.1](#) [25.345.3553.0M001](#) [25.640.3553.1](#) [SH02-5,08](#)  
[SH06-3,81](#) [SH08-5,08](#) [SH08-5,08-K](#) [SH12-5,08](#) [SHS04-5,00](#) [30.303](#) [30.305](#) [30.306](#)