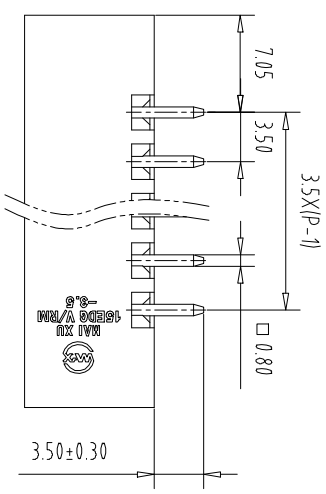


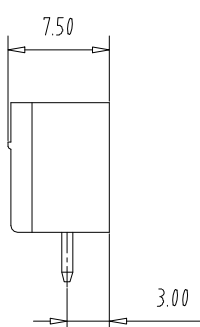
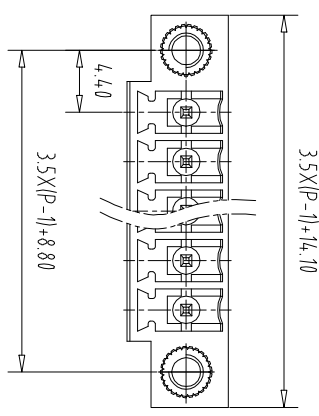
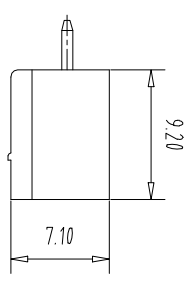
注: 本板为禁止运输、复制、翻印或修改, 以及用其内容进行交流

|     |         |         |     |      |
|-----|---------|---------|-----|------|
| REV | ECN NO. | CONTENT | CHK | DATE |
|-----|---------|---------|-----|------|



NOTES1:  
 UL Standard  
 1.Rating voltage/current: 300V/8A  
 2.withstanding voltage: AC2000V/1Min  
 IEC Standard

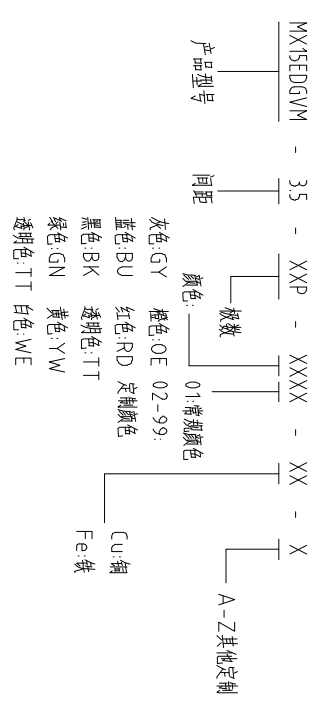
| 1. Pollution Degree      | 3     | 2     | 2     |
|--------------------------|-------|-------|-------|
| Overvoltage Category     | III   | III   | II    |
| Rate Impulse Voltage(kV) | 2.5kV | 2.5kV | 2.5kV |
| Rate Voltage(V)          | 160V  | 160V  | 250V  |
| Rate Current(A)          | 7A    | 7A    | 7A    |



NOTES2:  
 1.Housing: PA66 (UL94V-0)  
 2.Solder Pin: Brass (Sn Plated)  
 3.Nut: Brass (M2.5)

NOTES3:  
 1.Pitch: 3.5mm Poles: 02-24P  
 2.Operating temperature: -40°C~+105°C  
 3.RoHS Compliance

How to order



Pitch Range In Nominal Dimension Range

|       |       |           |            |            |            |            |             |             |
|-------|-------|-----------|------------|------------|------------|------------|-------------|-------------|
| mm    | In mm | Over 6 TO | Over 10 TO | Over 24 TO | Over 30 TO | Over 60 TO | Over 100 TO | Over 150 TO |
| ±0.15 | ±0.20 | ±0.30     | ±0.30      | ±0.50      | ±0.70      | ±1.00      | ±1.30       | ±2*         |

|           |            |            |            |            |             |             |
|-----------|------------|------------|------------|------------|-------------|-------------|
| Over 6 TO | Over 10 TO | Over 24 TO | Over 30 TO | Over 60 TO | Over 100 TO | Over 150 TO |
| ±0.15     | ±0.20      | ±0.30      | ±0.30      | ±0.50      | ±0.70       | ±1.00       |

| ITEM                           | NAME OF PART | NO. OF PART | Q'TY                  | MATERIAL | NOTE         |
|--------------------------------|--------------|-------------|-----------------------|----------|--------------|
| DWG                            | CHK          | DATE        | UNITS                 | MM       | SHEET/OF 1/1 |
| APP                            | DATE         | SCALE       | 1:1                   | A4       |              |
| CIXI MAIXU ELECTRONICS CO.,LTD |              |             | NAME MX15EDGVM-35-XXP |          |              |
| MAIXU 慈溪市迈旭电子有限公司              |              |             | DWGNO.                |          |              |

## X-ON Electronics

Largest Supplier of Electrical and Electronic Components

*Click to view similar products for [Pluggable Terminal Blocks](#) category:*

*Click to view products by [MAX](#) manufacturer:*

Other Similar products are found below :

[57.510.0053](#) [MC 1.5/ 6-ST-3.5 GY AU](#) [ET02015000J0G](#) [860505](#) [860516](#) [860810](#) [GBPACX-12](#) [93.731.4953.0](#) [PV05-5,08-K](#) [PVP03-3,50](#)  
[PVS02-5,00](#) [1-1986160-3](#) [1377680000](#) [1531000000](#) [1546228-5](#) [ELFP03110](#) [ELFP10210](#) [ELFT07250](#) [ELVD12100](#) [ELVF09400](#)  
[ELVP03100](#) [ELXH071G0E](#) [1700410](#) [1746952](#) [1760336](#) [1800272](#) [1809474](#) [1855000000](#) [19346](#) [1946309](#) [1950227](#) [1973592](#) [19892](#)  
[25.320.4053.1](#) [25.320.4553.9](#) [25.320.4753.1](#) [25.320.5453.1](#) [25.340.0353.1](#) [25.340.1053.1](#) [25.345.3553.0M001](#) [25.640.3553.1](#) [SH02-5,08](#)  
[SH06-3,81](#) [SH08-5,08](#) [SH08-5,08-K](#) [SH12-5,08](#) [SHS04-5,00](#) [30.303](#) [30.305](#) [30.306](#)