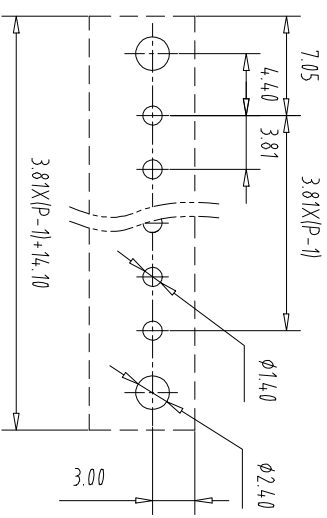
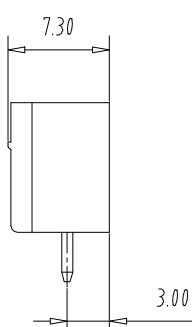
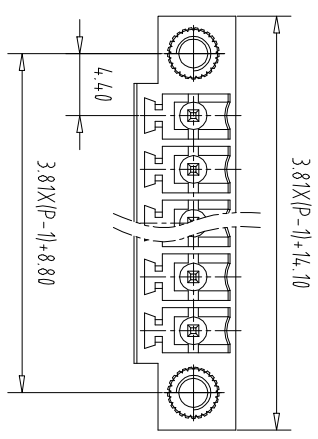
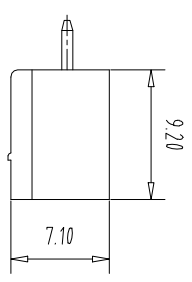
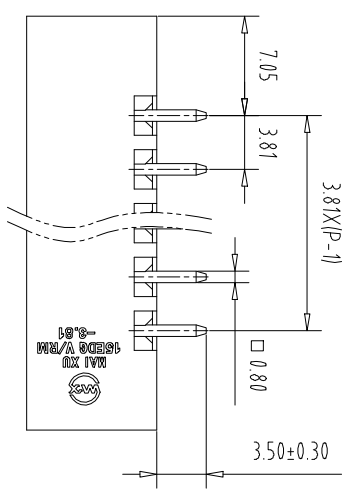


注: 本板为禁止传输、复制、编辑、修改、以及用其内容进行交流

| REV | ECN NO. | CONTENT | CHK | DATE |
|-----|---------|---------|-----|------|
|-----|---------|---------|-----|------|



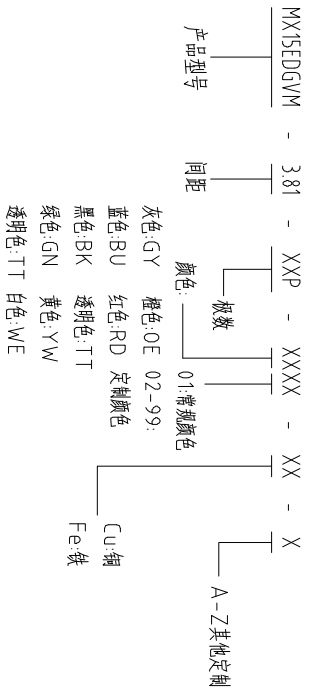
NOTES1:
 UL Standard
 1.Rating voltage/current: 300V/8A
 2.withstanding voltage: AC2000V/1Min
 IEC Standard

| Pollution Degree | 3 | 2 | 2 |
|--------------------------|-------|-------|-------|
| Overvoltage Category | III | III | II |
| Rate Impulse Voltage(kV) | 2.5KV | 2.5KV | 2.5KV |
| Rate Voltage(V) | 160V | 160V | 250V |
| Rate Current(A) | 7A | 7A | 7A |

NOTES2:
 1.Housing: PA66 (UL94V-0)
 2.Solder Pin: Brass (Sn Plated)
 3.Nut: Brass (M2.5)

NOTES3:
 1.Pitch: 3.81mm Poles: 02-24P
 2.Operating temperature: -40℃~+105℃
 3.RoHS Compliance

How to order



| Pitch Range In mm | Nominal Dimension In mm | Over 6 TO | Over 10 TO | Over 24 TO | Over 30 TO | Over 60 TO | Over 100 TO | Over 150 TO |
|-------------------|-------------------------|-----------|------------|------------|------------|------------|-------------|-------------|
| ±0.15 | ±0.20 | ±0.30 | ±0.30 | ±0.50 | ±0.70 | ±1.00 | ±1.30 | ±2° |

| ITEM | NAME OF PART | NO. OF PART | Q'TY | MATERIAL | NOTE |
|--------------------------------|--------------|-------------|-------|----------|-------------------|
| DWG | CHK | DATE | UNITS | MM | SHEET/OF |
| APP | DATE | SCALE | 1:1 | A4 | 1/1 |
| CIXI MAIXU ELECTRONICS CO.,LTD | | | | | MX15EDGVM-381-XXP |
| MAIXU 慈溪市迈旭电子有限公司 | | | | | DWGNO. |

X-ON Electronics

Largest Supplier of Electrical and Electronic Components

Click to view similar products for [Pluggable Terminal Blocks](#) category:

Click to view products by [MAX](#) manufacturer:

Other Similar products are found below :

[57.510.0053](#) [MC 1.5/ 6-ST-3.5 GY AU](#) [ET02015000J0G](#) [860505](#) [860516](#) [860810](#) [GBPACX-12](#) [93.731.4953.0](#) [PV05-5,08-K](#) [PVP03-3,50](#)
[PVS02-5,00](#) [1-1986160-3](#) [1377680000](#) [1531000000](#) [1546228-5](#) [ELFP03110](#) [ELFP10210](#) [ELFT07250](#) [ELVD12100](#) [ELVF09400](#)
[ELVP03100](#) [ELXH071G0E](#) [1700410](#) [1746952](#) [1760336](#) [1800272](#) [1809474](#) [1855000000](#) [19346](#) [1946309](#) [1950227](#) [1973592](#) [19892](#)
[25.320.4053.1](#) [25.320.4553.9](#) [25.320.4753.1](#) [25.320.5453.1](#) [25.340.0353.1](#) [25.340.1053.1](#) [25.345.3553.0M001](#) [25.640.3553.1](#) [SH02-5,08](#)
[SH06-3,81](#) [SH08-5,08](#) [SH08-5,08-K](#) [SH12-5,08](#) [SHS04-5,00](#) [30.303](#) [30.305](#) [30.306](#)