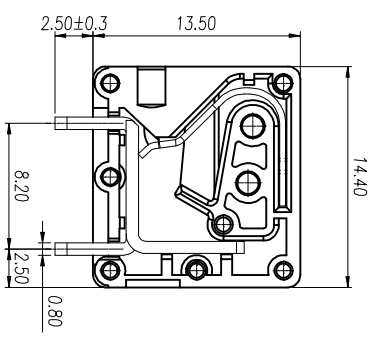
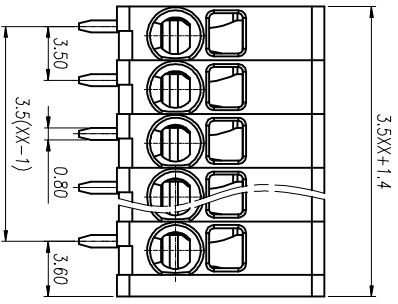
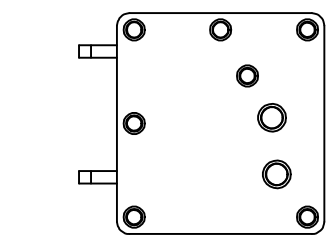
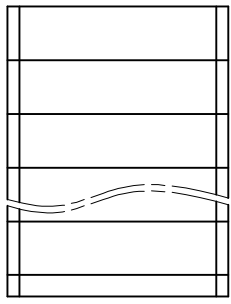
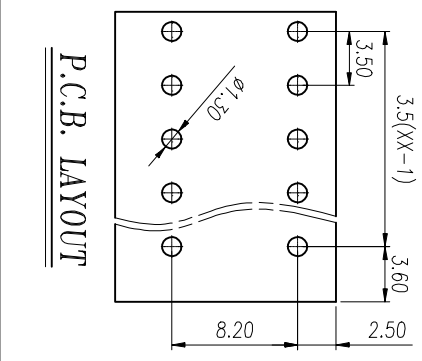


注: 本板为禁止传输、复制、翻印文件, 以及用其内容进行交流



| REV | ECN NO. | CONTENT | CHK | DATE |
|-----|---------|---------|-----|------|
| | | | | |

NOTES1:

UL Standard

| Use group | B | C | D |
|---------------|------|---|------|
| Rated Current | 10A | / | 10A |
| Rated Voltage | 300V | / | 300V |

2. Wire range: 24~16AWG

IEC Standard

| Pollution Degree | 3 | 2 | 2 |
|--------------------------|-------|-------|-------|
| Overvoltage Category | III | III | II |
| Rate Impulse Voltage(KV) | 2.5KV | 2.5KV | 2.5KV |
| Rate Voltage(V) | 160V | 200V | 400V |
| Rate Current(A) | 17.5A | 17.5A | 17.5A |

2. wire range: 0.2~1.5mm²

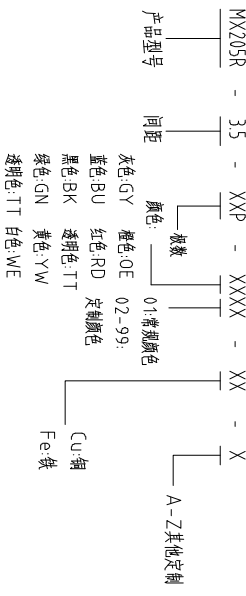
NOTES2:

1. Insulation Material: PA66 (UL94V-0)
2. Conductor: Copper alloy(Sn Plated)

NOTES3:

1. Pitch: 3.5mm Poles: 01-30P
2. Stripping length: 8-9mm
3. Operating temperature: -40℃~+105℃
4. RoHS Compliance

How to order



| Pitch Range In mm | Nominal Dimension In mm | Range | Symbol | | | | | |
|-------------------|-------------------------|---------|---------|----------|----------|--------|-------|-----|
| Over 6 | Over 10 | Over 30 | Over 60 | Over 100 | Over 150 | 0.1/10 | | |
| TO 6 | TO 10 | TO 24 | TO 30 | TO 60 | TO 100 | TO 150 | ∠ | |
| ±0.15 | ±0.20 | ±0.30 | ±0.30 | ±0.50 | ±0.70 | ±1.00 | ±1.30 | ±2° |

| ITEM | NAME OF PART | NO. OF PART | Q'TY | MATERIAL | NOTE |
|---|--------------|-------------|--------|----------------|------|
| DWG | CHK | DATE | SCALE | SHEET/OF | 1/1 |
| APP | DATE | SCALE | A4 | | |
| CIXI MAIXU ELECTRONICS CO.,LTD 慈溪市迈旭电子有限公司 | | | NAME | MX205R-3.5-XXP | |
| | | | DWGNO. | | |

X-ON Electronics

Largest Supplier of Electrical and Electronic Components

Click to view similar products for [Fixed Terminal Blocks](#) category:

Click to view products by [MAX](#) manufacturer:

Other Similar products are found below :

[MBE-1512](#) [MBE-1520](#) [MBE-154](#) [MBE-156](#) [MBES-156](#) [MH-2512](#) [MHE-132](#) [MHE-163](#) [MI-254 \(35\)](#) [MI-272](#) [MPT-275](#) [15602-04-08-21](#)
[ELM023100](#) [ELM10110G](#) [BA311TU](#) [BA411SU](#) [MV-254-D](#) [MV-255](#) [MV-493](#) [MVE-252](#) [MVE-253](#) [MVEB-153](#) [1705142](#) [1712417](#)
[1713088](#) [1745195](#) [1760594](#) [1-796689-8](#) [1800114](#) [20020314-C121B01LF](#) [KP03215000J0G](#) [KP04215000J0G](#) [S451](#) [29.007](#) [29.116](#) [30.204](#)
[30.503](#) [30.756](#) [30.853](#) [9872-0-00-15-00-00-33-0](#) [996750](#) [1710052](#) [1777707](#) [1-796692-3](#) [20020316-G071B01LF](#) [20020327-C061B01LF](#)
[29590](#) [30.652](#) [30.710](#) [30.754](#)