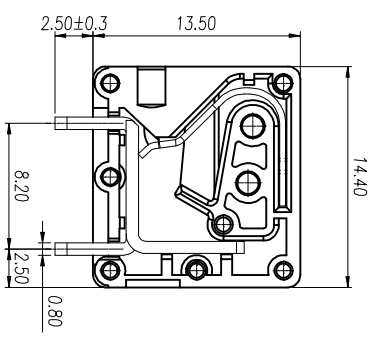
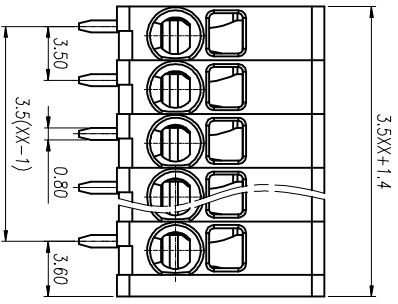
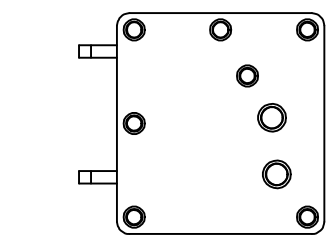
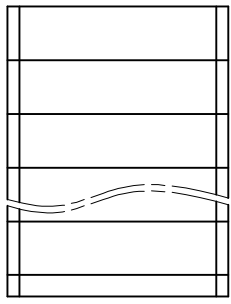
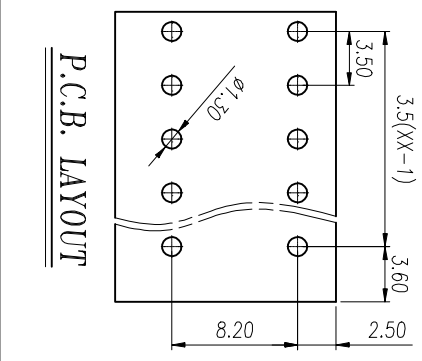


注: 本板为禁止传输、复制、翻印或仿造, 以及用其内容进行复制或传播



REV	ECN NO.	CONTENT	CHK	DATE

NOTES1:

UL Standard

Use group	B	C	D
Rated Current	10A	/	10A
Rated Voltage	300V	/	300V

NOTES2:

IEC Standard

Pollution Degree	3	2	2
Overvoltage Category	III	III	II
Rate Impulse Voltage(KV)	2.5KV	2.5KV	2.5KV
Rate Voltage(V)	160V	200V	400V
Rate Current(A)	17.5A	17.5A	17.5A

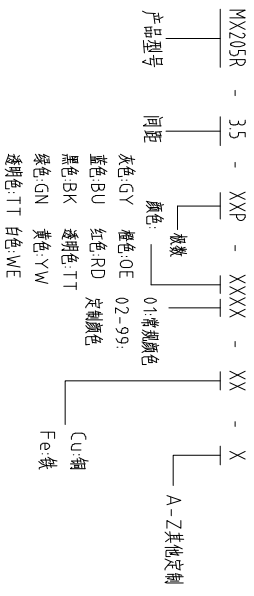
NOTES3:

1. Insulation Material: PA66 (UL94V-0)
2. Conductor: Copper alloy(Sn Plated)

NOTES4:

1. Pitch: 3.5mm Poles: 01-30P
2. Stripping Length: 8-9mm
3. Operating Temperature: $-40^{\circ}\text{C} \sim +105^{\circ}\text{C}$
4. RoHS Compliance

How to order



Pitch Range In mm	Nominal Dimension In mm	Range	Symbol					
Over 6 TO	Over 10 TO	Over 30 TO	Over 60 TO	Over 100 TO	Over 150 TO	0.1/10		
Over 6 TO	Over 10 TO	Over 24 TO	Over 30 TO	Over 60 TO	Over 100 TO	150 TO	±	
±0.15	±0.20	±0.30	±0.30	±0.50	±0.70	±1.00	±1.30	±2°

ITEM	NAME OF PART	NO. OF PART	Q'TY	MATERIAL	NOTE
DWG	CHK	DATE	SCALE	SHEET/OF	1/1
APP	DATE	DATE	SCALE	A4	1/1
CIXI MAIXU ELECTRONICS CO.,LTD 慈溪市迈旭电子有限公司			NAME	MATERIAL	NOTE
MX205R-3.5-XXP			NAME	MATERIAL	NOTE

X-ON Electronics

Largest Supplier of Electrical and Electronic Components

Click to view similar products for [Fixed Terminal Blocks](#) category:

Click to view products by [MAX](#) manufacturer:

Other Similar products are found below :

[MBE-1512](#) [MBE-1520](#) [MBE-154](#) [MBE-156](#) [MBES-156](#) [MH-2512](#) [MHE-132](#) [MHE-163](#) [MI-254 \(35\)](#) [MI-272](#) [MPT-275](#) [15602-04-08-21](#)
[ELM023100](#) [ELM10110G](#) [BA311TU](#) [BA411SU](#) [MV-254-D](#) [MV-255](#) [MV-493](#) [MVE-252](#) [MVE-253](#) [MVEB-153](#) [1705142](#) [1712417](#)
[1713088](#) [1745195](#) [1760594](#) [1-796689-8](#) [1800114](#) [20020314-C121B01LF](#) [KP03215000J0G](#) [KP04215000J0G](#) [S451](#) [29.007](#) [29.116](#) [30.204](#)
[30.503](#) [30.756](#) [30.853](#) [9872-0-00-15-00-00-33-0](#) [996750](#) [1710052](#) [1777707](#) [1-796692-3](#) [20020316-G071B01LF](#) [20020327-C061B01LF](#)
[29590](#) [30.652](#) [30.710](#) [30.754](#)