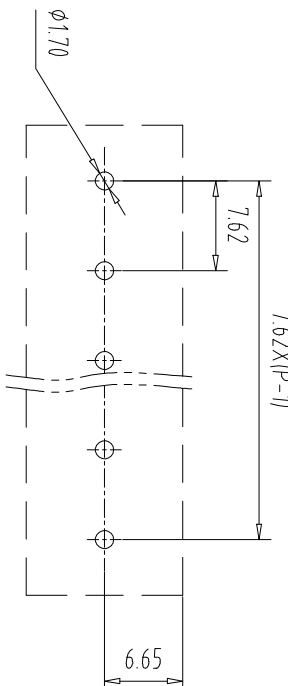
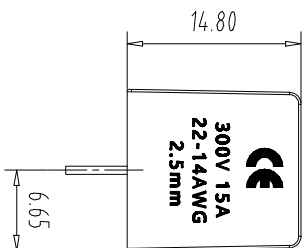
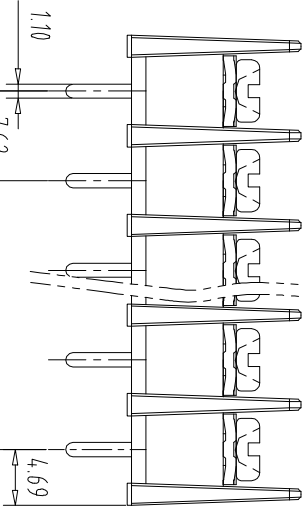
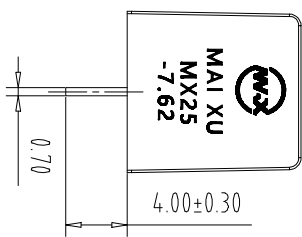
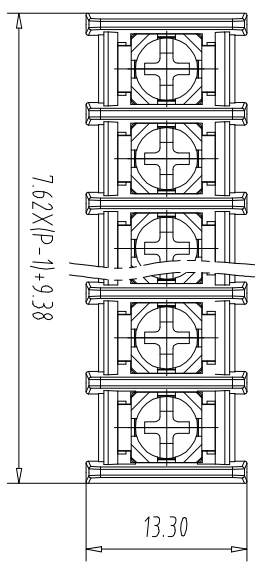


注：本板为禁止运输、复制、编辑文件，以及用其内容进行交流



PCB Layout

REV	ECN NO.	CONTENT	CHK	DATE

NOTES1:  
UL Standard

1 Use group	B	C	D
Rated Current	15A	15A	10A
Rated Voltage	300V	300V	300V

2 Torque value: M3, 4, 4.3Lb.in  
3 Wire range: 22~14AWG

IEC Standard

1 Pollution Degree	3	2	2
Overvoltage Category	III	II	II
Rate Impulse Voltage(KV)	/	/	/
Rate Voltage(V)	/	250V	/
Rate Current(A)	/	17.5A	/

2 Torque value: M3, 0.5Nm  
3 wire range: 15mm<sup>2</sup>

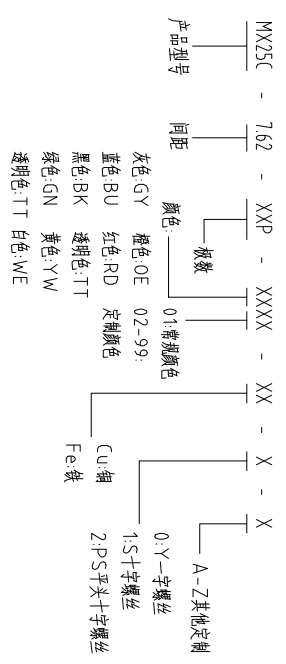
NOTES2:

- 1.Housing: PA66(UL 94V-0)
- 2.Solder Pin: Copper alloy(Sn Plated)
- 3.Screw: Steel(M3, Ni Plated)

NOTES3:

- 1.Pitch: 7.62mm Poles: 02-24P  
2.Operating temperature: -40℃~+105℃  
3.RoHS Compliance

How to order



Pitch Range In mm	Nominal Dimension In mm	Range
Over 6 TO	Over 10 TO	Over 30 TO
Over 10 TO	Over 24 TO	Over 30 TO
Over 30 TO	Over 60 TO	Over 100 TO
Over 60 TO	Over 100 TO	Over 150 TO
Over 100 TO	Over 150 TO	Over 150 TO

ITEM	NAME OF PART	NO. OF PART	Q'TY	MATERIAL	NOTE
DWG	CHK	DATE	SCALE	SHEET/OF	1/1
APP	DATE	NAME	MX25C-7.62-XXP		

CIXI MAIXU ELECTRONICS CO.,LTD  
东莞市迈旭电子有限公司

## X-ON Electronics

Largest Supplier of Electrical and Electronic Components

*Click to view similar products for [Barrier Terminal Blocks](#) category:*

*Click to view products by [MAX](#) manufacturer:*

Other Similar products are found below :

[CR151D20104](#) [670A-RZ-15-KT20](#) [6C1N03](#) [6PCR-02](#) [6PCR-02-008](#) [6PCR-05-008](#) [6PCR-08-008](#) [6PCR-09-008](#) [6PCR-13-006](#) [6PCR-15-006](#) [6PCV-06-008](#) [6PCV-06-716](#) [6PCV-09-001](#) [6PCV-15-008](#) [6PCV-17-1206](#) [6PCV-20-323](#) [6STR-06-006](#) [6STR-08-006](#) [6STR-12-008](#) [6STR-13-006](#) [6STR-14-008](#) [6STR-16-008](#) [6STR-17-008](#) [6STR-21-008](#) [6STR-25-008](#) [6STR-27-008](#) [6STV-03-008](#) [6STV-09-006](#) [6STV-10-006](#) [6WWV-11-008](#) [6WWV-12-008](#) [6WWV-16-008](#) [71502-50](#) [71507-47-50](#) [72504-C-50](#) [72506-C](#) [72507-C-50](#) [72508-56](#) [73203](#) [75505-C-50](#) [812-GP-3/4ST-09](#) [8-1437402-5](#) [8-1437402-7](#) [8PCR-06-006](#) [8PCR-11-006](#) [8PCV-02-008](#) [8PCV-04-001](#) [8PCV-05-008](#) [8PCV-09-006](#) [8PCV-15-006](#)