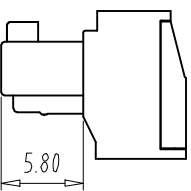
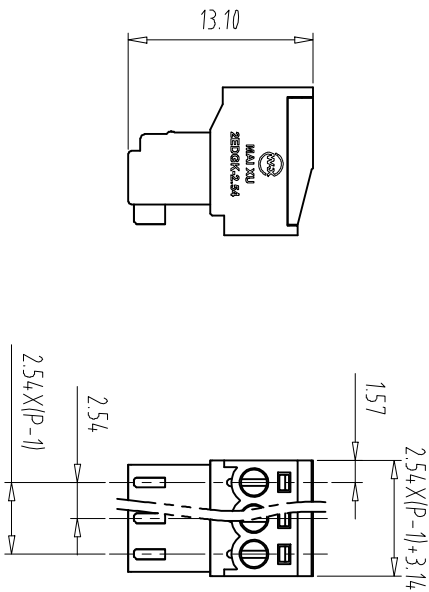
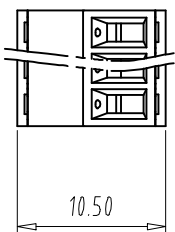


注: 本板为禁止传输、复制、编辑、修改、以及利用其内容建立链接



NOTES:

UL Standard

Use group	B	C	D
Rated Current	5A	/	/
Rated Voltage	150V	/	/

1. Torque value: M1.6, 0.89LbIn
  2. Wire range: 26~20AWG
- IEC Standard

1. Pollution Degree	3	2	2
Overvoltage Category	III	III	II
Rate Impulse Voltage(kV)	1.5KV	2.5KV	2.5KV
Rate Voltage(V)	100V	160V	320V
Rate Current(A)	5A	5A	5A

2. Torque value: M1.6, 0.1Nm
3. wire range: 0.2~0.5mm<sup>2</sup>

NOTES2:

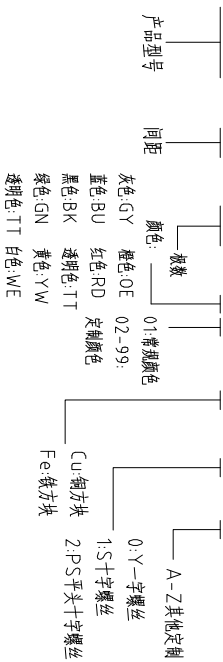
- 1.Housing: PA66 (UL94V-0)
- 2.Cover: PA66 (UL94V-0)
- 3.Cage: Brass (Ni Plated)
- 4.Clamp: Copper alloy (Ni Plated)
- 5.Screw: Steel (M1.6,Zn Plated)

NOTES3:

- 1.Pitch: 2.54mm Poles: 02-24P
- 2.Stripping length: 5-6mm
- 3.Operating temperature: -40℃~+105℃
- 4.RoHS Compliance

How to order

MXZEDGK - 254 - XXP - XXXX - XX - X - X



Pitch Range In mm

Over	In mm	Over	Nominal Dimension	Over	Range	Over
6	TO	10	TO	30	TO	150
10	TO	24	TO	60	TO	150

±0.15 ±0.20 ±0.30 ±0.30 ±0.50 ±0.70 ±1.00 ±1.30 ±2°

ITEM	NAME OF PART	NO. OF PART	Q'TY	MATERIAL	NOTE
DWG	CHK	DATE	SCALE	SHEET/OF	1/1
APP	DATE		1:1	A4	
CXI MAIXU ELECTRONICS CO.,LTD 慈溪市迈旭电子有限公司					DWGNO.
					MXZEDGK-2.54-XXP

## X-ON Electronics

Largest Supplier of Electrical and Electronic Components

*Click to view similar products for [Pluggable Terminal Blocks](#) category:*

*Click to view products by [MAX](#) manufacturer:*

Other Similar products are found below :

[57.510.0053](#) [MC 1.5/ 6-ST-3.5 GY AU](#) [ET02015000J0G](#) [860505](#) [860516](#) [860810](#) [GBPACX-12](#) [93.731.4953.0](#) [PV05-5,08-K](#) [PVP03-3,50](#)  
[PVS02-5,00](#) [1-1986160-3](#) [1377680000](#) [1531000000](#) [1546228-5](#) [ELFP03110](#) [ELFP10210](#) [ELFT07250](#) [ELVD12100](#) [ELVF09400](#)  
[ELVP03100](#) [ELXH071G0E](#) [1700410](#) [1746952](#) [1760336](#) [1800272](#) [1809474](#) [1855000000](#) [19346](#) [1946309](#) [1950227](#) [1973592](#) [19892](#)  
[25.320.4053.1](#) [25.320.4553.9](#) [25.320.4753.1](#) [25.320.5453.1](#) [25.340.0353.1](#) [25.340.1053.1](#) [25.345.3553.0M001](#) [25.640.3553.1](#) [SH02-5,08](#)  
[SH06-3,81](#) [SH08-5,08](#) [SH08-5,08-K](#) [SH12-5,08](#) [SHS04-5,00](#) [30.303](#) [30.305](#) [30.306](#)