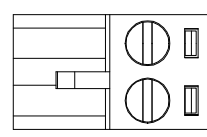
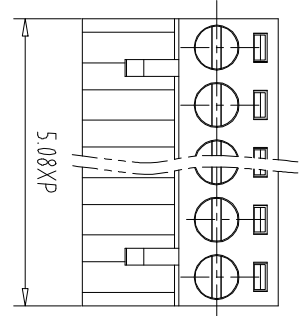


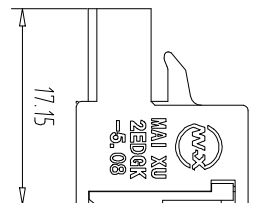
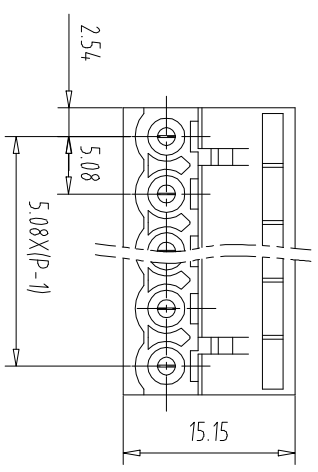
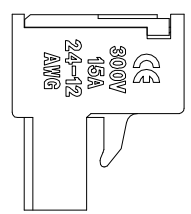
注：本板为禁止运输、复制、翻印文件，以及用其内容进行交流



2P



5.08XP



17.15

REV	ECN NO.	CONTENT	CHK	DATE

NOTES1:

- UL Standard
- 1.Rating voltage/current: 300V//15A
- 2.withstanding voltage: AC2000V//1Min
- 3.Torque value: M2.5, 3.54LbIn
- 4.Wire range: 24~12AWG

IEC Standard

Pollution Degree	2
Overvoltage Category	III
Rate Impulse Voltage(KV)	4.0KV
Rate Voltage(V)	320V
Rate Current(A)	15A

NOTES2:

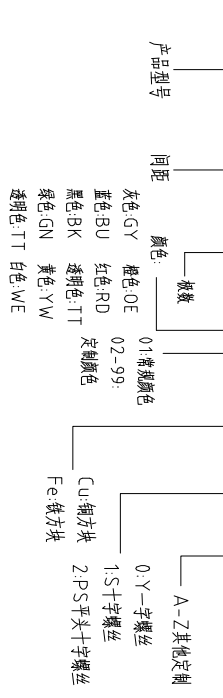
- 1.Housing: PA66 (UL94V-0)
- 2.Cover: PA66 (UL94V-0)
- 3.Cage: Brass (Ni Plated)
- 4.Clamp: Copper alloy (Ni Plated)
- 5.Screw: Steel (M2.5,Zn Plated)

NOTES3:

- 1.Pitch: 5.08mm Poles: 02-24P
- 2.Stripping length: 7-8mm
- 3.Operating temperature: -40℃~+105℃
- 4.RoHS Compliance

How to order

MX2EDGK - 508 - XXP - XXXX - XX - X - X



Pitch Range In mm	Nominal Dimension Range In mm						- / □	0.1/10	±2°
	Over 6	Over 10	Over 24	Over 30	Over 60	Over 100			
TO 6	TO 10	TO 24	TO 30	TO 60	TO 100	TO 150	TO 150	TO 150	
±0.15	±0.20	±0.30	±0.30	±0.50	±0.70	±1.00	±1.30	±2°	

ITEM	NAME OF PART	NO. OF PART	Q'TY	MATERIAL	NOTE
DWG	CHK	DATE	SCALE	SHEET/OF	1/1
APP	DATE	SCALE	1:1	A4	⊕
CIXI MAIXU ELECTRONICS CO.,LTD			MX2EDGK-5.08-XXP		
慈溪市迈旭电子有限公司			DWGNO.		

X-ON Electronics

Largest Supplier of Electrical and Electronic Components

Click to view similar products for [Pluggable Terminal Blocks](#) category:

Click to view products by [MAX](#) manufacturer:

Other Similar products are found below :

[57.510.0053](#) [MC 1.5/ 6-ST-3.5 GY AU](#) [ET02015000J0G](#) [860505](#) [860516](#) [860810](#) [GBPACX-12](#) [93.731.4953.0](#) [PV05-5,08-K](#) [PVP03-3,50](#)
[PVS02-5,00](#) [1-1986160-3](#) [1377680000](#) [1531000000](#) [1546228-5](#) [ELFP03110](#) [ELFP10210](#) [ELFT07250](#) [ELVD12100](#) [ELVF09400](#)
[ELVP03100](#) [ELXH071G0E](#) [1700410](#) [1746952](#) [1760336](#) [1800272](#) [1809474](#) [1855000000](#) [19346](#) [1946309](#) [1950227](#) [1973592](#) [19892](#)
[25.320.4053.1](#) [25.320.4553.9](#) [25.320.4753.1](#) [25.320.5453.1](#) [25.340.0353.1](#) [25.340.1053.1](#) [25.345.3553.0M001](#) [25.640.3553.1](#) [SH02-5,08](#)
[SH06-3,81](#) [SH08-5,08](#) [SH08-5,08-K](#) [SH12-5,08](#) [SHS04-5,00](#) [30.303](#) [30.305](#) [30.306](#)