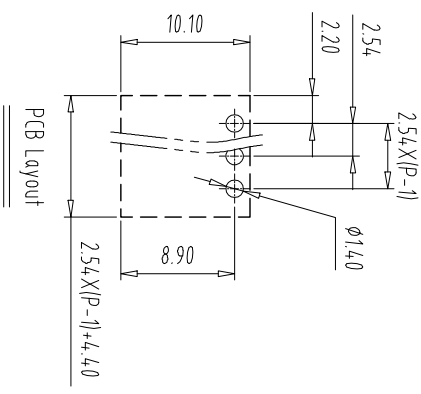
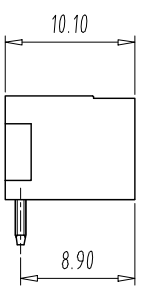
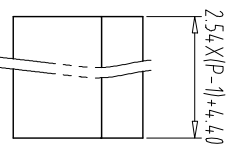
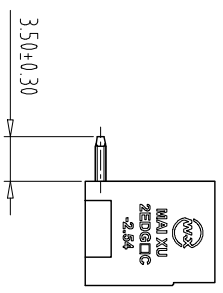
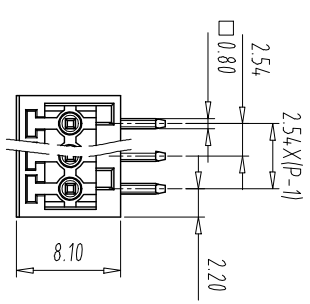


注: 本板为禁止运输、复制、编辑文件, 以及用其内容进行交流

REV	ECN NO.	CONTENT	CHK	DATE
-----	---------	---------	-----	------



Pitch	Range	In	Nominal Dimension	Range
mm	Over 6	Over 10	Over 30	Over 60
	TO 6	TO 10	TO 30	TO 60
	TO 10	TO 24	TO 60	TO 100
	TO 24	TO 30	TO 60	TO 100
	TO 30	TO 30	TO 60	TO 100
	TO 60	TO 24	TO 30	TO 60
	TO 100	TO 30	TO 60	TO 100
	TO 150	TO 30	TO 60	TO 100
	Over 150	TO 30	TO 60	TO 100
	0.1/10	TO 30	TO 60	TO 100
	±2°	TO 30	TO 60	TO 100

NOTES1:
UL Standard

1 Use group	B	C	D
Rated Current	5A	/	/
Rated Voltage	150V	/	/

2 withstanding voltage: AC1300V/1Min

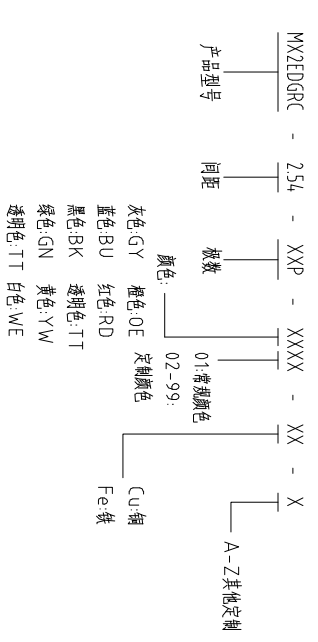
IEC Standard

1 Pollution Degree	3	2	2
Overvoltage Category	III	III	II
Rate Impulse Voltage(KV)	1.5KV	2.5KV	2.5KV
Rate Voltage(V)	80V	160V	200V
Rate Current(A)	5A	5A	5A

NOTES2:
1 Housing: PA66 (UL94V-0)
2 Solder Pin: Brass (Sn Plated)

NOTES3:
1 Pitch: 2.54mm Poles: 02-24P
2 Operating temperature: -40°C~+105°C
3 RoHS Compliance

How to order



ITEM	NAME OF PART	NO. OF PART	Q'TY	MATERIAL	NOTE
DWG	CHK	DATE	UNITS	MM	SHEET/OF 1/1
APP	DATE	SCALE	1:1	A4	1/1
NAME					
MX2EDGRC-2.54-XXP					
DWGNO.					

CIJI MAIXU ELECTRONICS CO.,LTD
MAIXU 慈溪市迈旭电子有限公司

X-ON Electronics

Largest Supplier of Electrical and Electronic Components

Click to view similar products for [Pluggable Terminal Blocks](#) category:

Click to view products by [MAX](#) manufacturer:

Other Similar products are found below :

[57.510.0053](#) [MC 1.5/ 6-ST-3.5 GY AU](#) [ET02015000J0G](#) [860505](#) [860516](#) [860810](#) [GBPACX-12](#) [93.731.4953.0](#) [PV05-5,08-K](#) [PVP03-3,50](#)
[PVS02-5,00](#) [1-1986160-3](#) [1377680000](#) [1531000000](#) [1546228-5](#) [ELFP03110](#) [ELFP10210](#) [ELFT07250](#) [ELVD12100](#) [ELVF09400](#)
[ELVP03100](#) [ELXH071G0E](#) [1700410](#) [1746952](#) [1760336](#) [1800272](#) [1809474](#) [1855000000](#) [19346](#) [1946309](#) [1950227](#) [1973592](#) [19892](#)
[25.320.4053.1](#) [25.320.4553.9](#) [25.320.4753.1](#) [25.320.5453.1](#) [25.340.0353.1](#) [25.340.1053.1](#) [25.345.3553.0M001](#) [25.640.3553.1](#) [SH02-5,08](#)
[SH06-3,81](#) [SH08-5,08](#) [SH08-5,08-K](#) [SH12-5,08](#) [SHS04-5,00](#) [30.303](#) [30.305](#) [30.306](#)